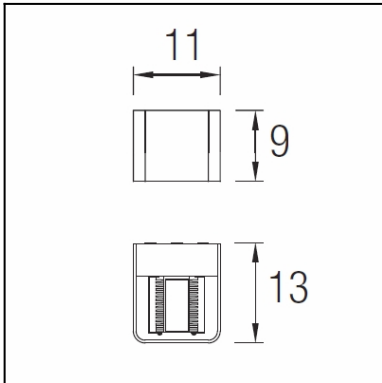
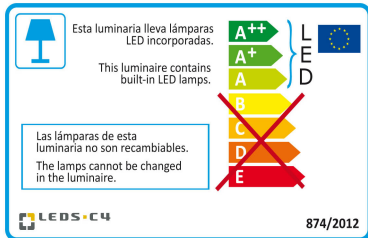


The photograph may not match the reference exactly. Please read the product description to identify the finish.



[Download photometric file .ldt / .ies](#)



[Click on image to download energy label](#)

TECHNICAL CHARACTERISTICS

Type:	Wall fixture
IP Protection degrees:	IP65
IK Protection degrees:	IK08
Light source 1:	6 x LED Cree 6W Warm White - 3000K 564 lm ^(N) CRI 80
Total power consumption (W):	8.2
Voltage / Frequency:	100-240V/50-60Hz
Warranty (Years):	2
Option to extend the guarantee (Years):	5
Units per box:	4
Net Weight (Kg):	0.98
EAN:	8435381412814



MATERIALS / FINISHES

Structure material: High purity aluminium

Diffuser material: Glass

Structure finish: Grey

Diffuser finish: Matt

GEAR

Multi-voltage electronic gear included (110-240 V / 50-60 Hz)

Lm^(N): Nominal flow of light in actual working conditions. Its actual flow will depend on the environmental conditions and the efficiency of the optics and/or diffuser.

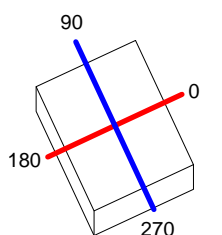
LEDS-C4 reserves the right to make the necessary technical changes they deem adequate, in order to improve the features of the product.

Please consult the sales team to clarify any doubt.

Luminaire		Measur.		Lamp		
Code	05-9683-14-T2	Code	05-9683-14-T2	Code	11	
Name	WALL FIXTURES	Name	WALL FIXTURES	Number	6	
Line	WILSON	Date	27-01-2014	Position		
Efficiency	37.51%	Coordinate system	CG	Total Flux	600.00 lm	
Maximum value	66.12 cd	Position	C=330.00 G=177.00	Asymmetrical		
Rectangular Luminaire	Length	100 mm	Width	80 mm	Height	35 mm
Rectangular Luminous Area	Length	100 mm	Width	80 mm	Height	35 mm
Horizontal Luminous Area	0.008000 m2	Emitting area on Plane 180°		0.003500 m2		
Emitting area on Plane 0°	0.003500 m2	Emitting area on Plane 270°		0.002800 m2		
Emitting area on Plane 90°	0.002800 m2	Glare area at 76°		0.005331 m2		
Symmetry Type	Asymmetrical	Maximum Gamma Angle		180		
Measurement Distance	0.00	Measurement Flux		600.00 lm		
Operator		Source voltage				
Temperature	25.00 °C	Source current				
Humidity	60.00 %	Photocell				
Notes						

Line		Code		Luminaire Lamps		Flux [lm]	Pow. [W]	Q.ty
IESNA-2002		11		Name		100.00	1.38	6
				11 - 1.38 W				
C.I.E.	70 99 100 49 38			D DIN 5040	C52			
F UTE	0.18 B + 0.19 T			B NBN	BZ 2			

100mm x 80mm



C Halfplanes

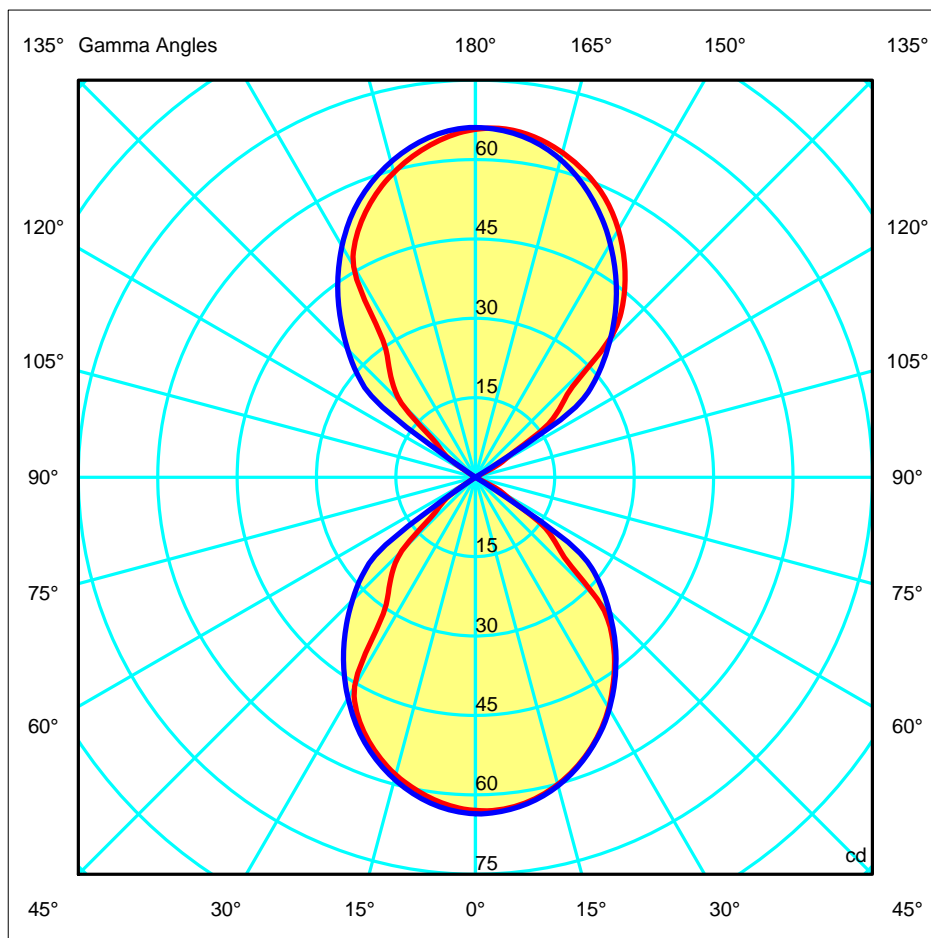
180.0 ——— 0.0

270.0 ——— 90.0

ULOR 19.07 %

DLOR 18.43 %

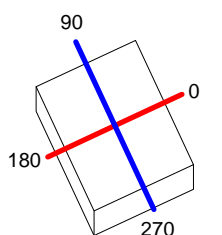
RN 50.86 %



Luminaire		Measur.		Lamp		
Code	05-9683-34-T2	Code	05-9683-34-T2	Code	11	
Name	WALL FIXTURES	Name	WALL FIXTURES	Number	6	
Line	WILSON	Date	15-03-2013	Position		
Efficiency	37.51%	Coordinate system	CG	Total Flux	600.00 lm	
Maximum value	66.12 cd	Position	C=330.00 G=177.00	Asymmetrical		
Rectangular Luminaire	Length	100 mm	Width	80 mm	Height	35 mm
Rectangular Luminous Area	Length	100 mm	Width	80 mm	Height	35 mm
Horizontal Luminous Area	0.008000 m2	Emitting area on Plane 180°		0.003500 m2		
Emitting area on Plane 0°	0.003500 m2	Emitting area on Plane 270°		0.002800 m2		
Emitting area on Plane 90°	0.002800 m2	Glare area at 76°		0.005331 m2		
Symmetry Type	Asymmetrical	Maximum Gamma Angle		180		
Measurement Distance	0.00	Measurement Flux		600.00 lm		
Operator		Source voltage				
Temperature	25.00 °C	Source current				
Humidity	60.00 %	Photocell				
Notes						

Line		Code		Luminaire Lamps		Flux [lm]	Pow. [W]	Q.ty
IESNA-1995		11		Name		100.00	1.38	6
				11 - 1.38 W				
C.I.E.	70 99 100 49 38			D DIN 5040	C52			
F UTE	0.18 B + 0.19 T			B NBN	BZ 2			

100mm x 80mm



C Halfplanes

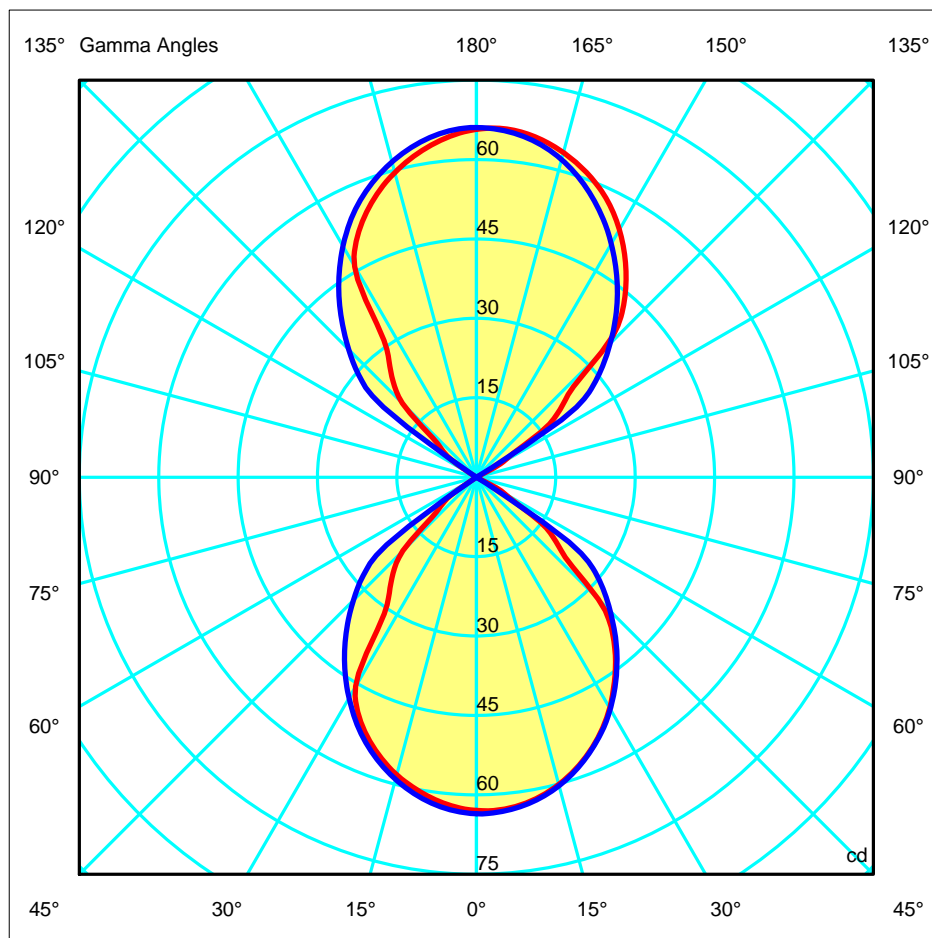
180.0 ——— 0.0

270.0 ——— 90.0

ULOR 19.07 %

DLOR 18.43 %

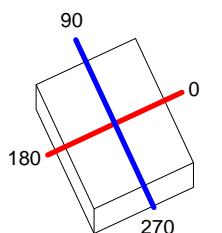
RN 50.86 %



Luminaire		Measur.		Lamp		
Code	05-9683-Z5-T2	Code	05-9683-Z5-T2	Code	11	
Name	WALL FIXTURES	Name	05-9683	Number	6	
Line	WILSON	Date	15-03-2013	Position		
Efficiency	37.51%	Coordinate system	CG	Total Flux	600.00 lm	
Maximum value	66.12 cd	Position	C=330.00 G=177.00	Asymmetrical		
Rectangular Luminaire	Length	100 mm	Width	80 mm	Height	35 mm
Rectangular Luminous Area	Length	100 mm	Width	80 mm	Height	35 mm
Horizontal Luminous Area	0.008000 m2	Emitting area on Plane 180°		0.003500 m2		
Emitting area on Plane 0°	0.003500 m2	Emitting area on Plane 270°		0.002800 m2		
Emitting area on Plane 90°	0.002800 m2	Glare area at 76°		0.005331 m2		
Symmetry Type	Asymmetrical	Maximum Gamma Angle		180		
Measurement Distance	0.00	Measurement Flux		600.00 lm		
Operator		Source voltage				
Temperature	25.00 °C	Source current				
Humidity	60.00 %	Photocell				
Notes						

Luminaire Lamps						
Line	Code	Name	Flux [lm]	Pow. [W]	Q.ty	
IESNA-1995	11	11 - 1.38 W	100.00	1.38	6	
C.I.E.	70 99 100 49 38	D DIN 5040				
F UTE	0.18 B + 0.19 T	B NBN				
		C52				
		BZ 2				

100mm x 80mm



C Halfplanes

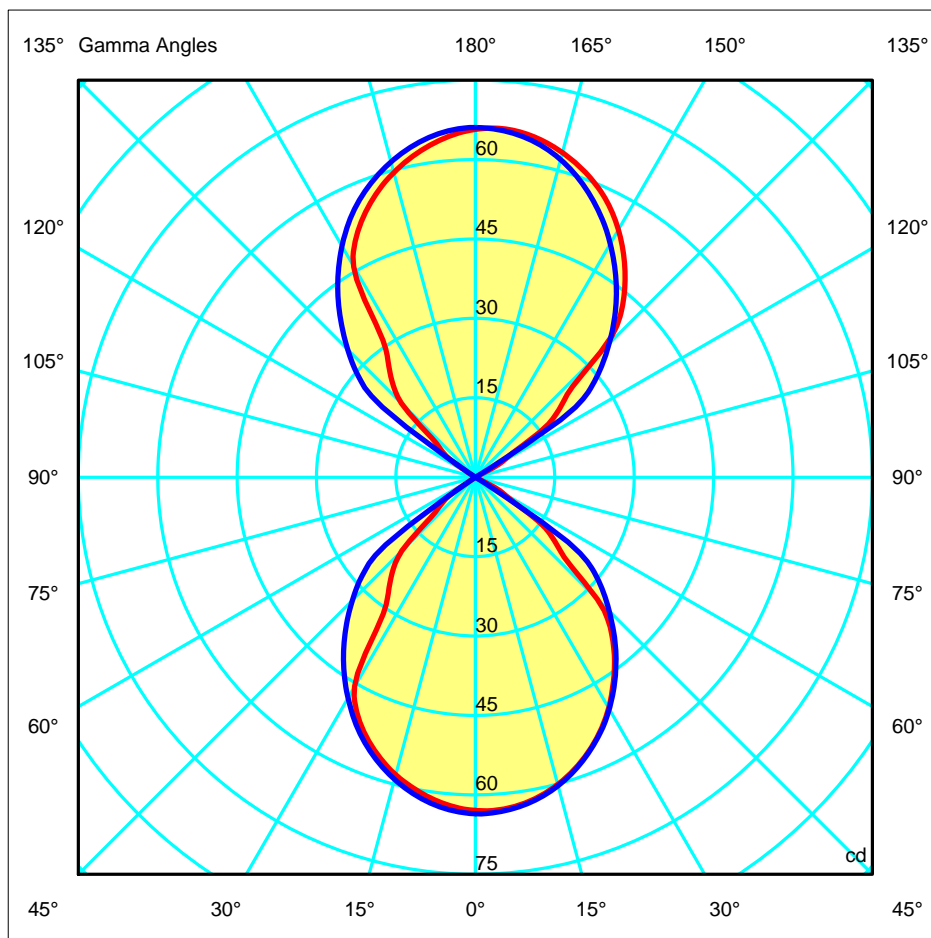
180.0 — 0.0

270.0 — 90.0

ULOR 19.07 %

DLOR 18.43 %

RN 50.86 %



Luminaire

 Code 05-9683
 Name 05-9683

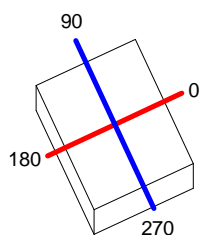
Measur.

 Code 20130314006
 Name 05-9683

Luminaire Flux	225.03 lm	Luminaire Power	8.30 W	Efficacy	27.11 lm/W	Efficiency	37.51%
Lamps Flux	600.00 lm	Maximum value	110.20 cd/klm	Position	C=330.00 G=177.00	CG	Asymmetrical
Rectangular Luminaire Rectangular Luminous Area	Length Length	100 mm 100 mm	Width Width	80 mm 80 mm	Height Height	35 mm 35 mm	
Horizontal Luminous Area Emitting area on Plane 0° Emitting area on Plane 90°	0.008000 m2 0.003500 m2 0.002800 m2		Emitting area on Plane 180° Emitting area on Plane 270° Glare area at 76°		0.003500 m2 0.002800 m2 0.005331 m2		
Coordinate system Date Measurement Distance	CG 15-03-2013 0.00		Symmetry Type Maximum Gamma Angle Measurement Flux		Asymmetrical 180 600.00 lm		
Operator Temperature Humidity Notes	25.00 °C 60.00 %		Source Voltage [V] Source current [A] Photocell				

Luminaire Lamps						
Line	Code	Name	Flux [lm]	Pow. [W]	Q.ty	
	11	11	100.00	1.38	6	
C.I.E. F UTE	70 99 100 49 38 0.18 B + 0.19 T					D DIN 5040 B NBN C52 BZ 2

100mm x 80mm



C Halfplanes

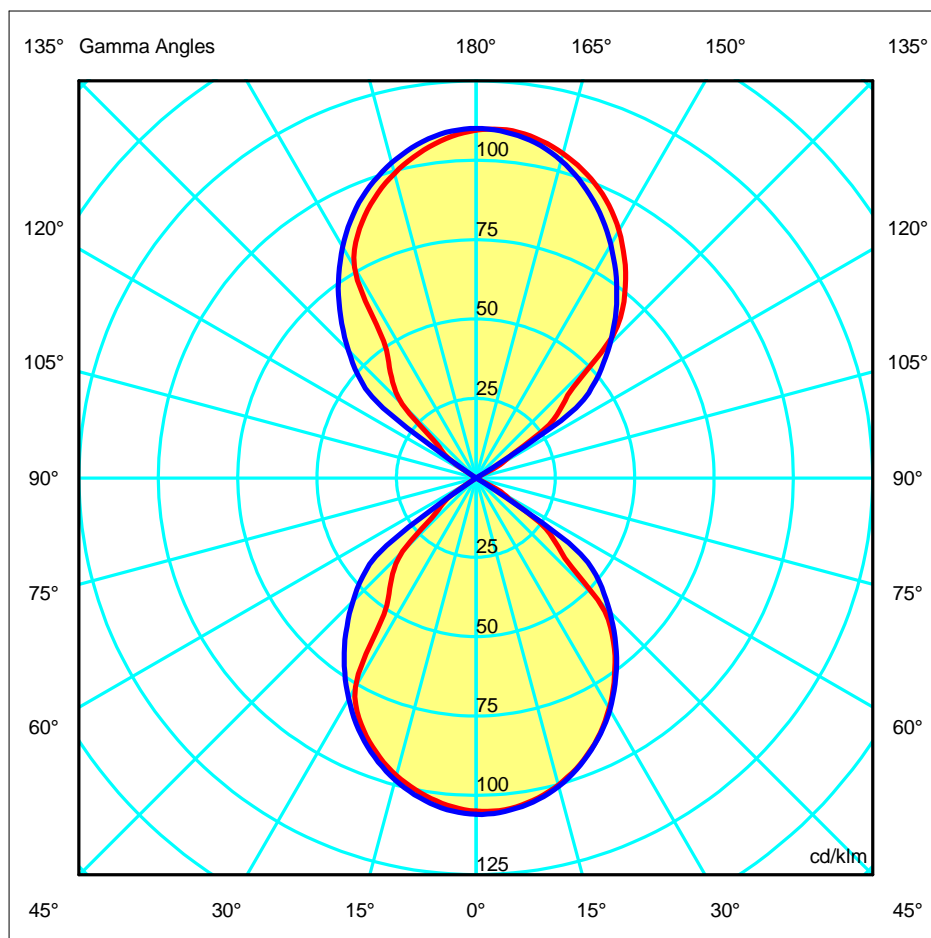
180.0 — 0.0

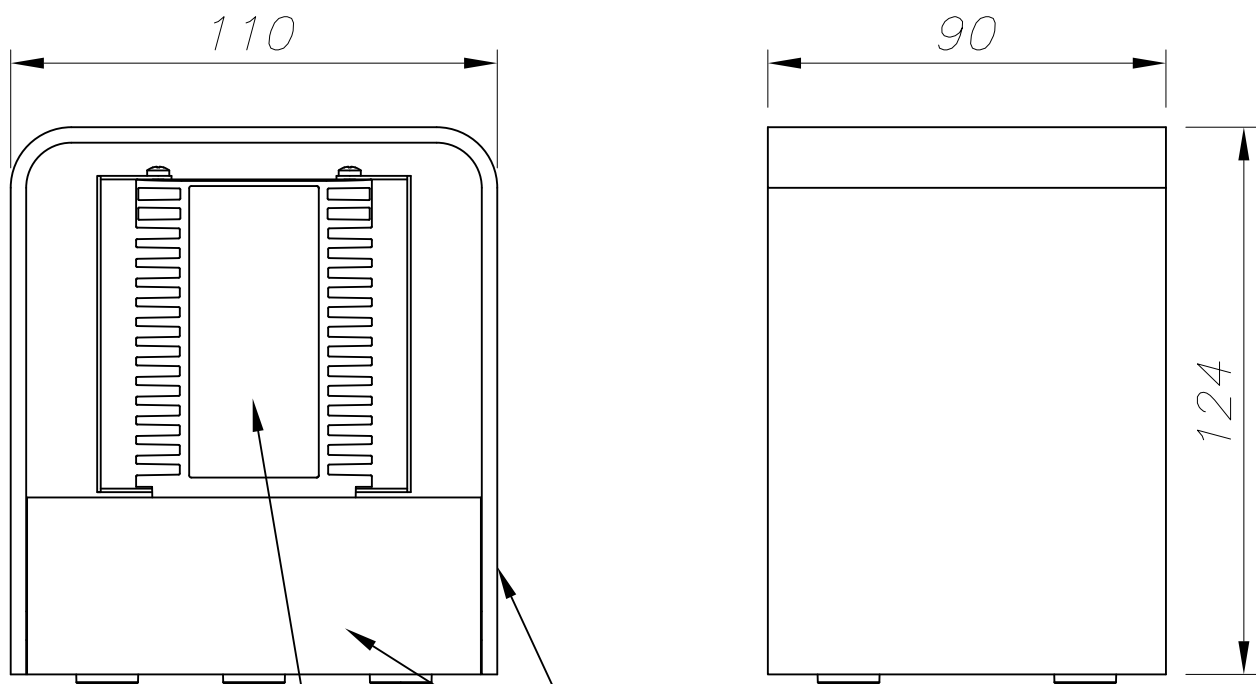
270.0 — 90.0

ULOR 19.07 %

DLOR 18.43 %

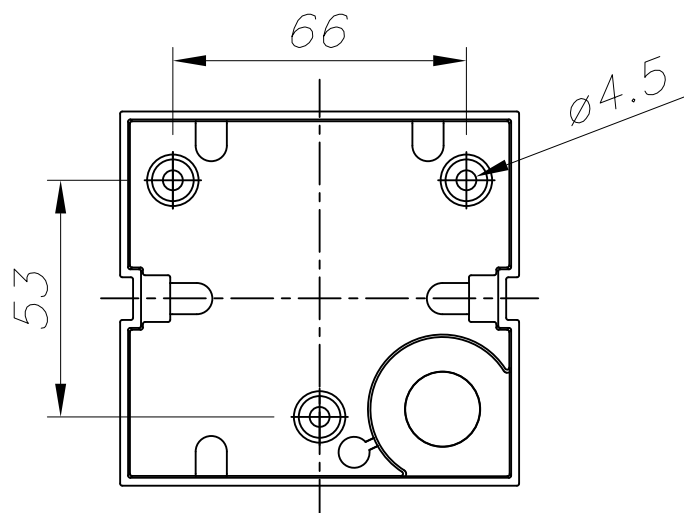
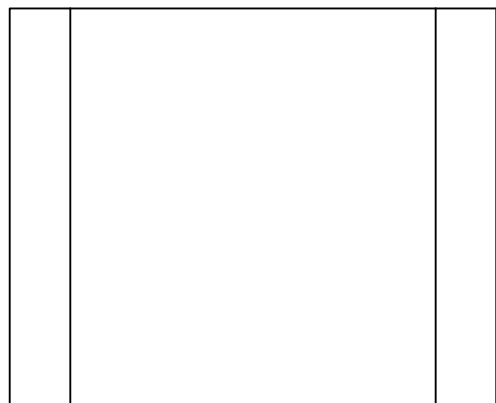
RN 50.86 %





CRISTAL ARENADO INTERIOR
SANDFROSTED GLASS INSIDE

ALUMINIO DE ALTA PUREZA
HIGH QUALITY ALUMINIUM



PLANTILLA DE INSTALACIÓN
INSTALLATION TEMPLATE

