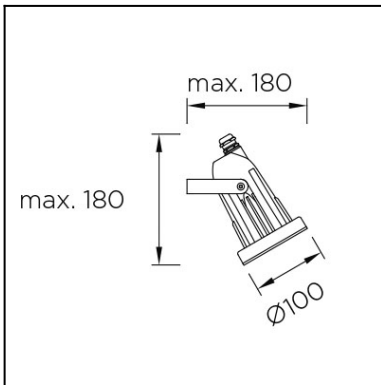




The photograph may not match the reference exactly. Please read the product description to identify the finish.



TECHNICAL CHARACTERISTICS

Type:	Spotlight
Adjustable:	Adjustable $\pm 90^\circ$ on the horizontal axis.
IP Protection degrees:	IP65
IK Protection degrees:	IK10
Light source 1:	1 x GU10 MAX 50W Maximum lamp length: 80.00 mm
Voltage / Frequency:	220-240V/50-60Hz
Warranty (Years):	2
Units per box:	12
Net Weight (Kg):	0.675
EAN:	8435111097663



MATERIALS / FINISHES

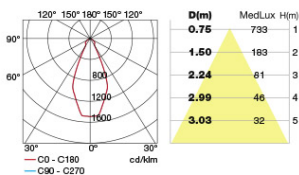
Structure material: Injected aluminium

Diffuser material: Glass

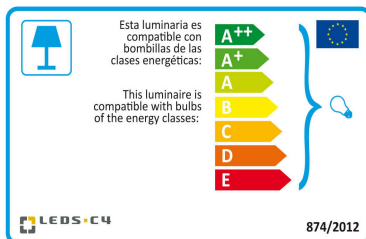
Structure finish: Grey

Diffuser finish: Transparent

GU-10 50W



Download photometric file .ldt / .ies



Click on image to download energy label

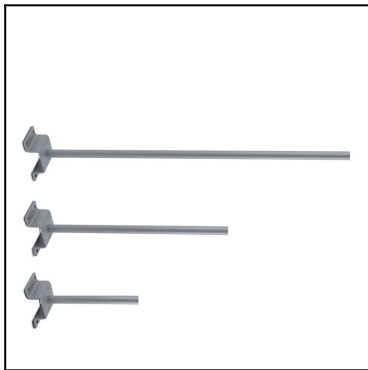
71-9746-05-05



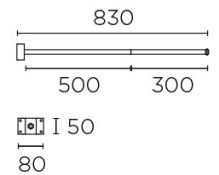
Structure material: Polycarbonate
Structure finish: Black



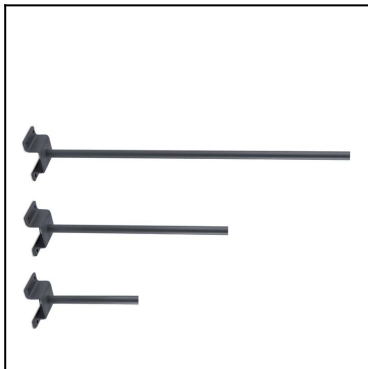
71-9487-34-34V1



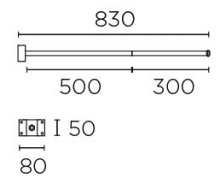
Structure material: Galvanized steel
Structure finish: Grey



71-9487-Z5-Z5V1



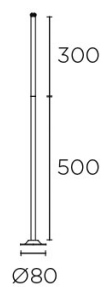
Structure material: Galvanized steel
Structure finish: Urban grey

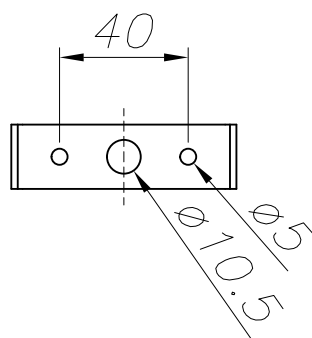
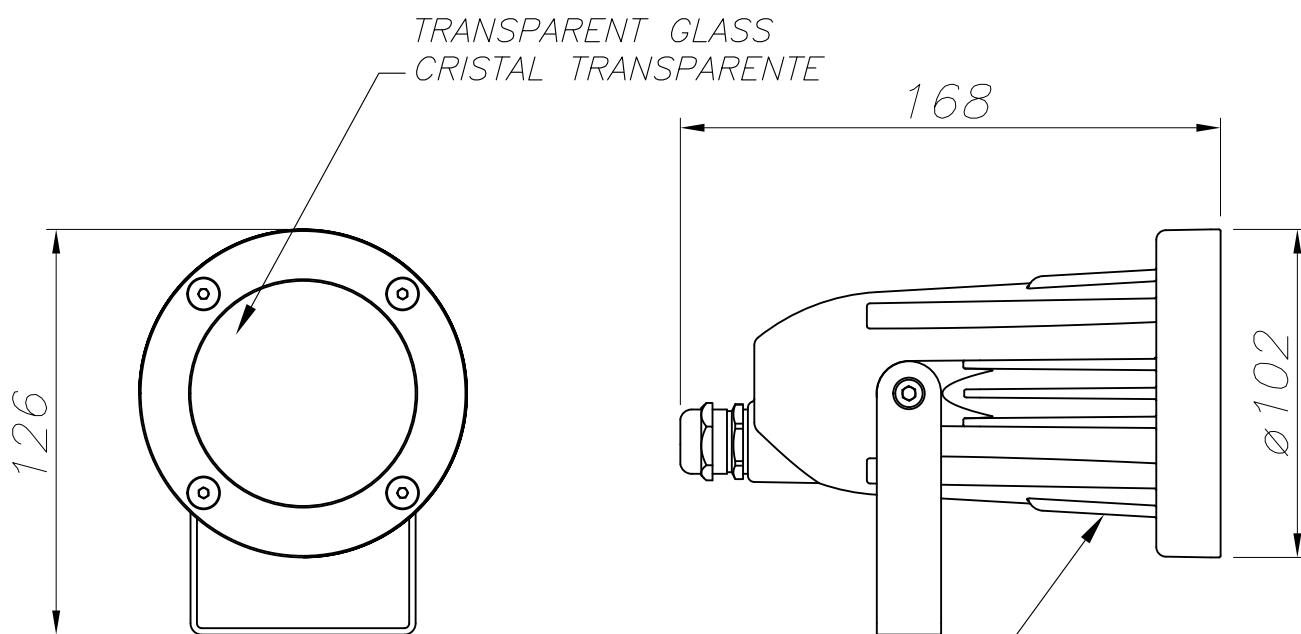


71-9940-34-34



Structure material: Galvanized steel
 Stainless steel AISI304
Structure finish: Grey





PLANTILLA DE INSTALACIÓN
INSTALLATION TEMPLATE

