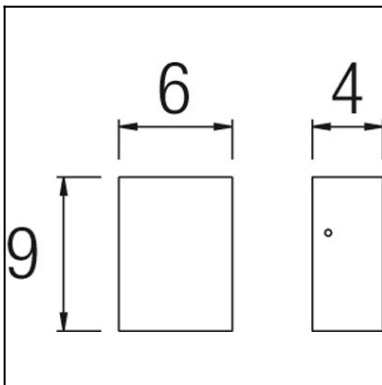


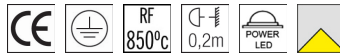


The photograph may not match the reference exactly. Please read the product description to identify the finish.



TECHNICAL CHARACTERISTICS

Type:	Wall fixture
IP Protection degrees:	IP44
Light source 1:	1 x LED Cree 2.2W Neutral white - 4000K 184 lm ^(N) CRI 75
Voltage / Frequency:	100-240V/50-60Hz
Warranty (Years):	2
Option to extend the guarantee (Years):	5
Units per box:	12
Net Weight (Kg):	0.265
EAN:	8435111088715



MATERIALS / FINISHES

Structure material: Injected aluminium

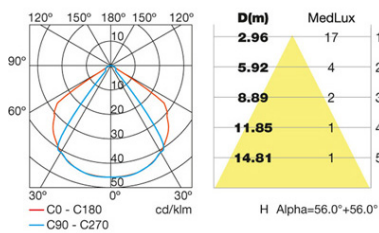
Diffuser material: Glass

Structure finish: Grey

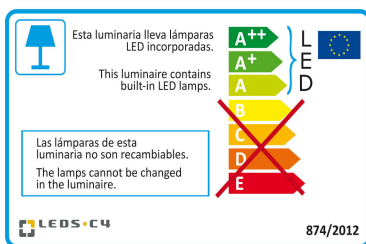
Diffuser finish: Transparent

GEAR

Multi-voltage electronic gear included (100-240V / 50-60Hz)



Download photometric file .ldt /.ies



Click on image to download energy label

Lm^(N): Nominal flow of light in actual working conditions. Its actual flow will depend on the environmental conditions and the efficiency of the optics and/or diffuser.

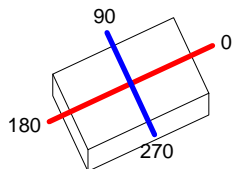
LEDS-C4 reserves the right to make the necessary technical changes they deem adequate, in order to improve the features of the product.

Please consult the sales team to clarify any doubt.

Luminaire		Measur.		Lamp		
Code	05-9594	Code	05-9594	Code	05-9594	
Name	Aplique 1 led	Name	Aplique 1 led	Number	1	
Line	Eulumdat	Date	15-11-2011	Position		
Efficiency	100.00%	Coordinate system	CG	Total Flux	88.16 lm	
Maximum value	45.73 cd	Position	C=90.00 G=5.00	Double Symmetrical		
Rectangular Luminaire	Length	40 mm	Width	64 mm	Height	87 mm
Rectangular Luminous Area	Length	26 mm	Width	52 mm	Height	0 mm
Horizontal Luminous Area	0.001352 m2	Emitting area on Plane 180°		0.000000 m2		
Emitting area on Plane 0°	0.000000 m2	Emitting area on Plane 270°		0.000000 m2		
Emitting area on Plane 90°	0.000000 m2	Glare area at 76°		0.000327 m2		
Symmetry Type	Double Symmetrical	Maximum Gamma Angle	90			
Measurement Distance	0.00	Measurement Flux	88.16 lm			
Operator	Asselum T2	Source voltage				
Temperature	25.00 °C	Source current				
Humidity	60.00 %	Photocell				
Notes						

Line		Code		Luminaire Lamps		Flux [lm]	Pow. [W]	Q.ty
Eulumdat				Name				
		05-9594		05-9594 - 4.00 W		88.16	4.00	1
C.I.E.	70 96 99 100 100			D DIN 5040	A50			
F UTE	1.00 B			B NBN	BZ 2			

40mm x 64mm



C Halfplanes

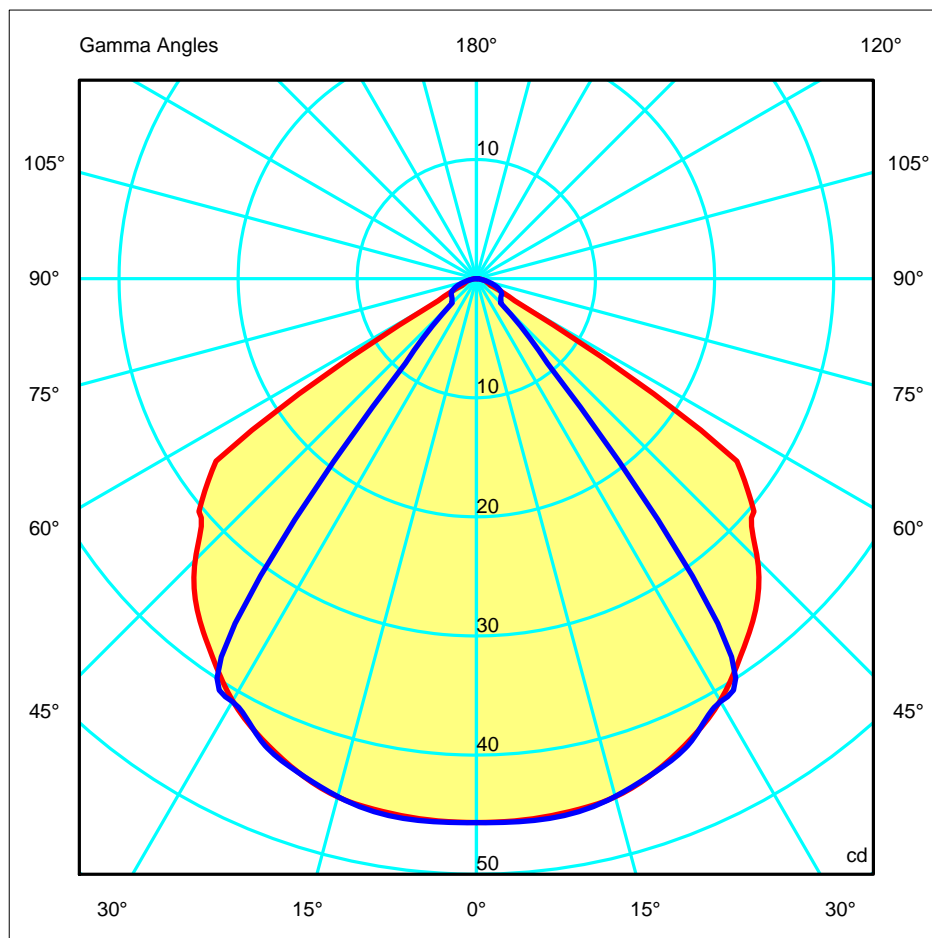
180.0 — 0.0

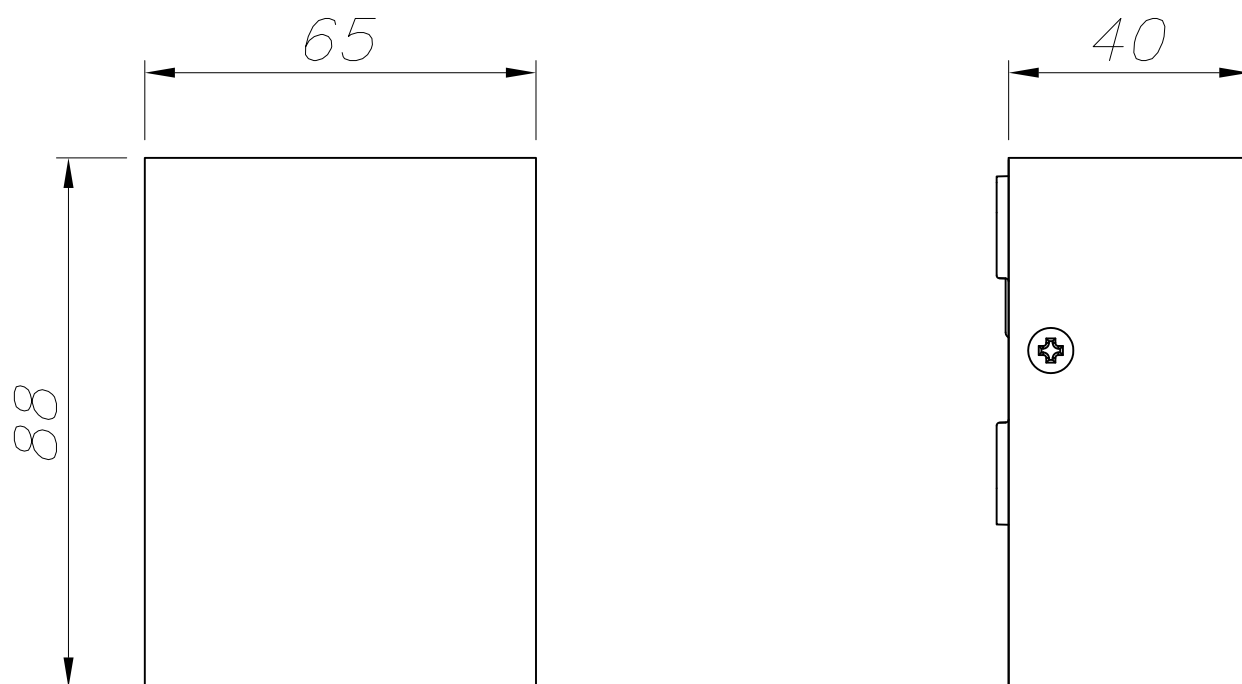
270.0 — 90.0

ULOR 0.00 %

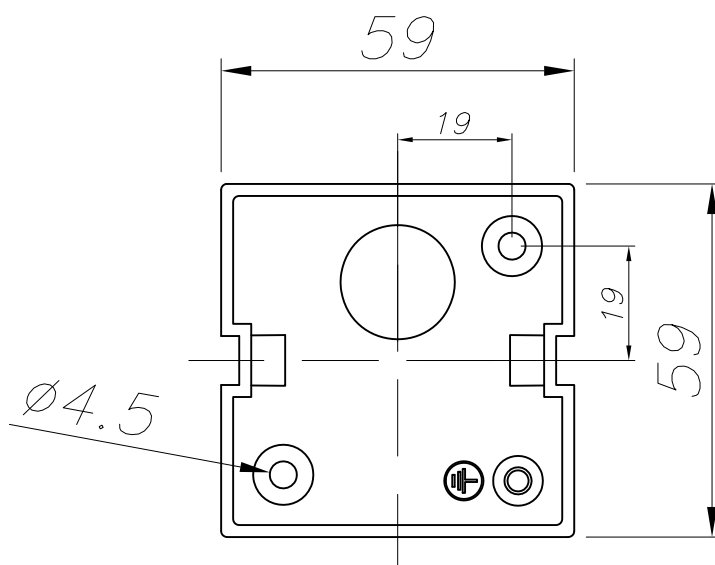
DLOR 100.00 %

RN 0.00 %



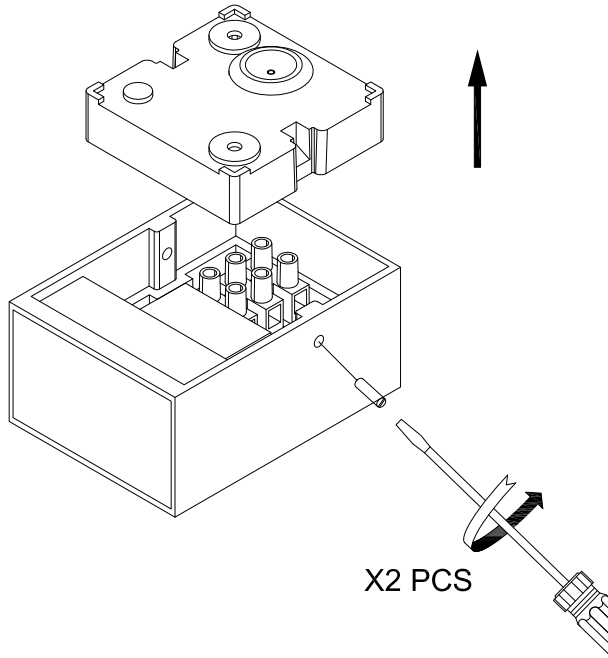
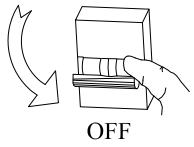


ALUMINIO INYECTADO
INJECTED ALUMINIUM

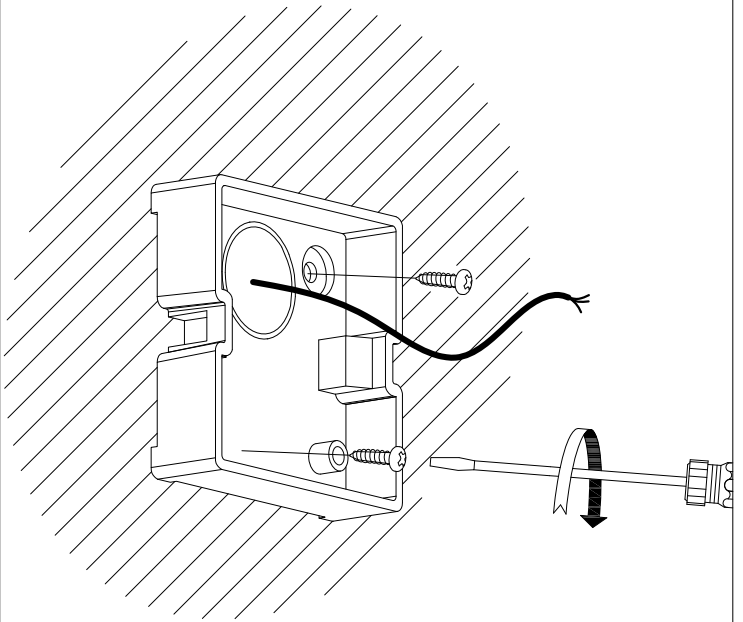


PLANTILLA DE INSTALACIÓN
INSTALLATION TEMPLATE

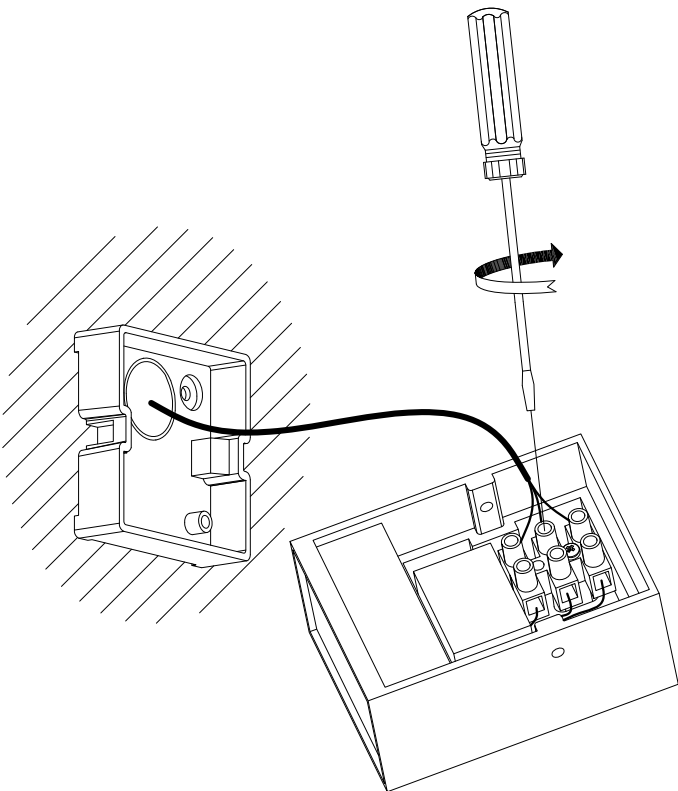
①



②



③



④

