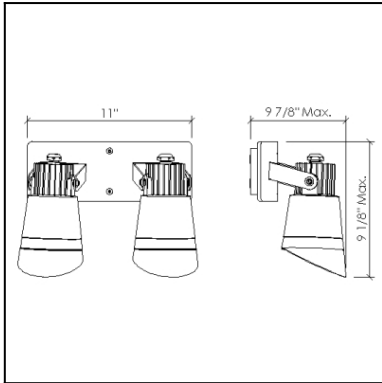


Design by Francesc Vilaró



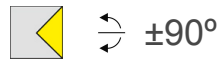
The photograph may not match the reference exactly. Please read the product description to identify the finish.



Download photometric file .ldt /.ies

TECHNICAL CHARACTERISTICS

Type:	Spotlight
IP Protection degrees:	IP65
Light source 1:	2 x GU10
Bulb specified at the product label	max. 50W
Location:	WET
IK Protection degrees:	IK06
Total power consumption (W):	100
Voltage / Frequency:	120V/60Hz
Warranty:	2
Net Weight (Lb):	0



MATERIALS / FINISHES

Structure material: High purity aluminium

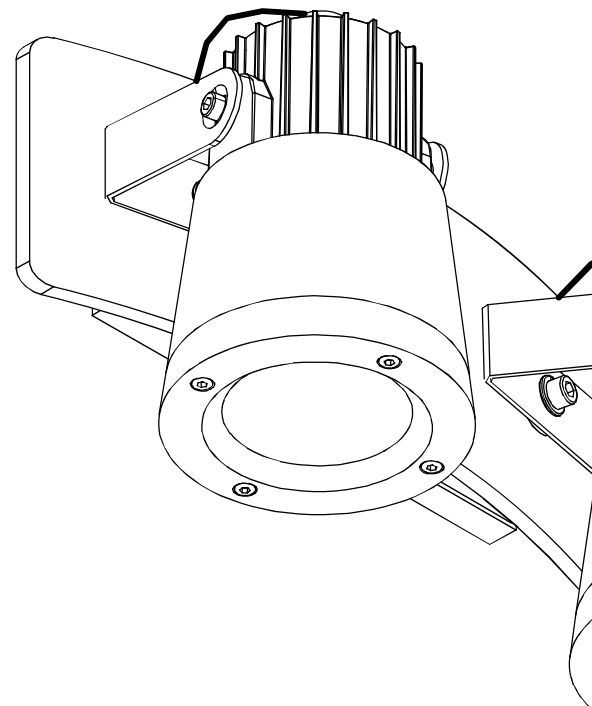
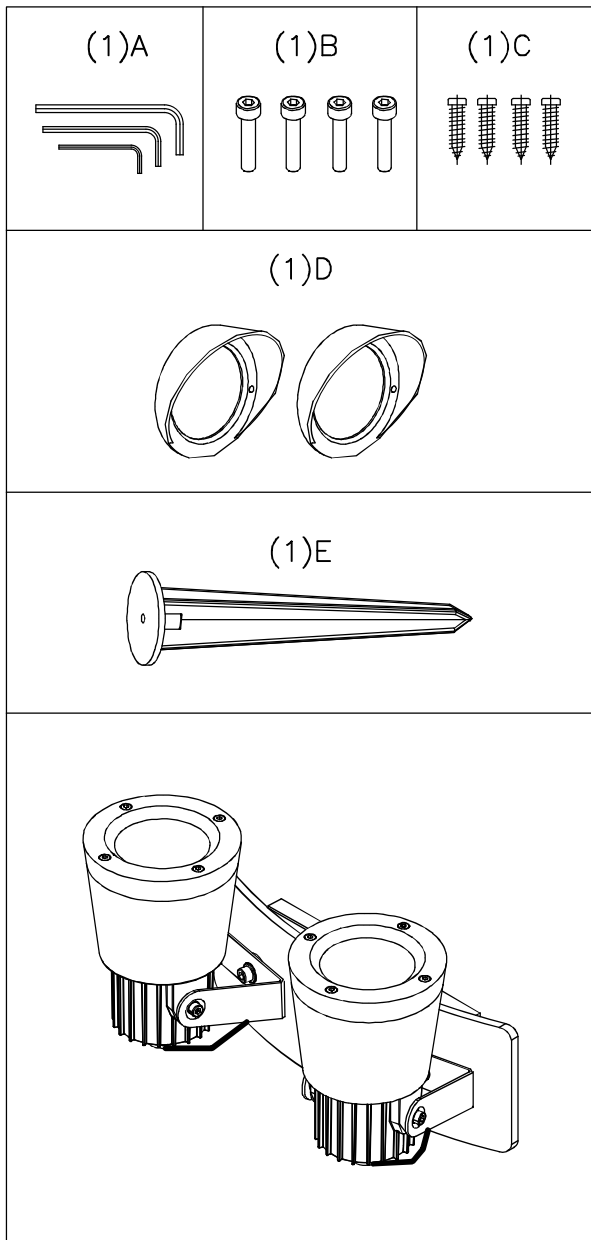
Structure finish: Grey

Diffuser material: Glass

Diffuser finish: Transparent

FIGURE N° 1. UNPACK THE FIXTURE: CHECK THE CONTENTS OF THE BOX. YOU SHOULD RECEIVE:

FIGURE N° 1. DÉBALLER LE PLAFONIER: VÉRIFIER LE CONTENU DU CARTON, VOUS DEVEZ RECEVOIR:



INSTALLATION INSTRUCTIONS FOR HANGING FIXTURES

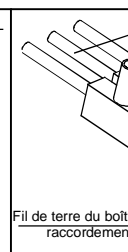
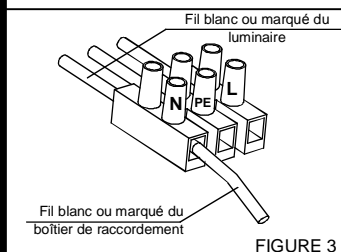
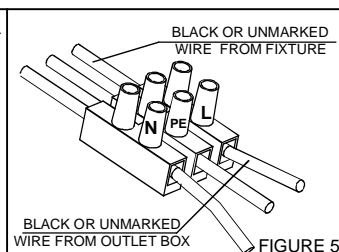
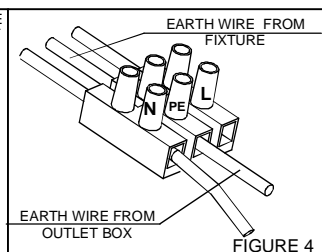
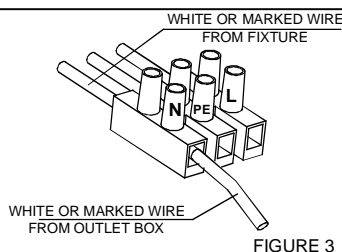
INSTRUCTIONS D'INSTALLATION POUR LE PLAFONIER

FIGURE 3, 4 AND 5 MOUNTING HARDWARE.

NOTE: TEST THE CONNECTOR BY GENTLY PULLING IT. IF IT PULLS OUT THE CONNECTION, TRY AGAIN TILL YOU HAVE A FIRM CONNECTION. MAKE SURE NO BARE STRANDS OF WIRE STICK OUT FROM THE CONNECTORS.

FIGURE 3, 4 ET 5 MONTAGE DE L'ÉQUIPE.

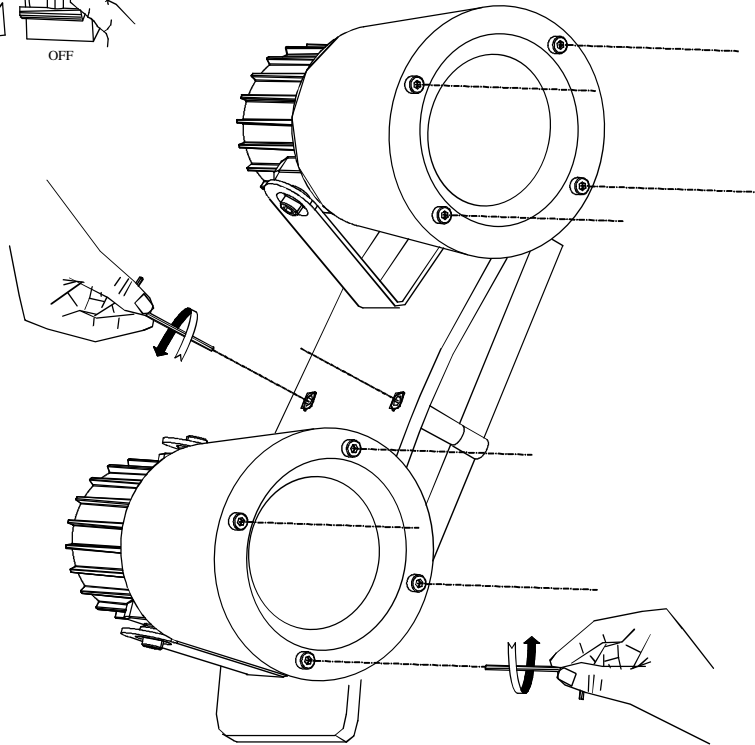
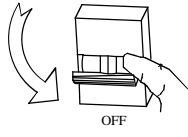
IMPORTANT: ESSAYER DE TIRER LE CÂBLE D'UNE MANIÈRE DOLCE. SI LE CÂBLE SE DÉTACHE, RÉESSAYER JUSQU'À OBTENIR UNE BONNE CONNECTION. IL FAUDRAIT ASSURER QUE LA PARTIE DÉCOUVERTE DES CÂBLES NE SONT PAS À DÉCOUVERT DU BOÎTIER DE RACCORDEMENT.



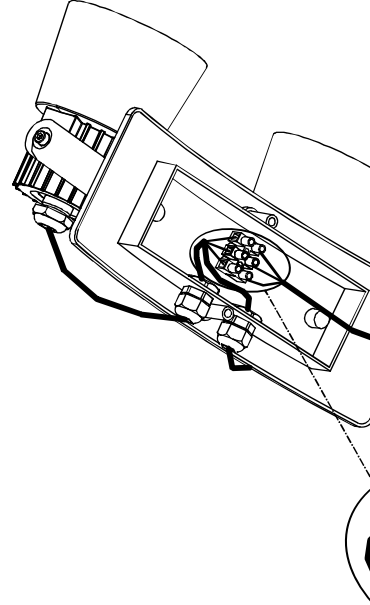
CAUTION:

ATTENTION:

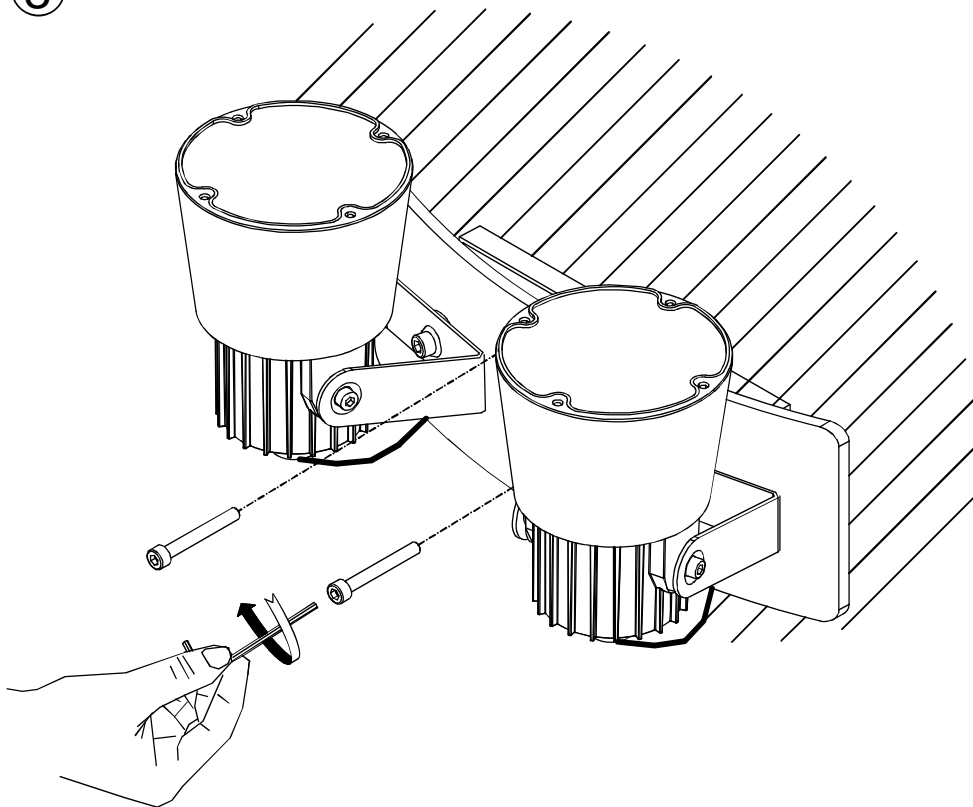
6



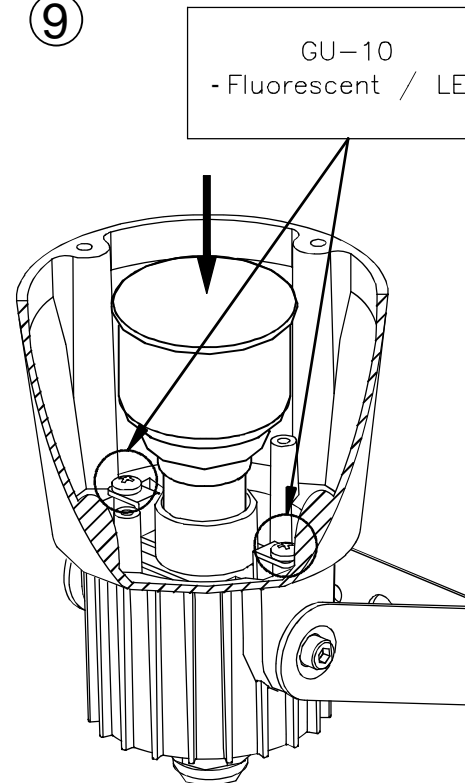
7



8



9



10

11