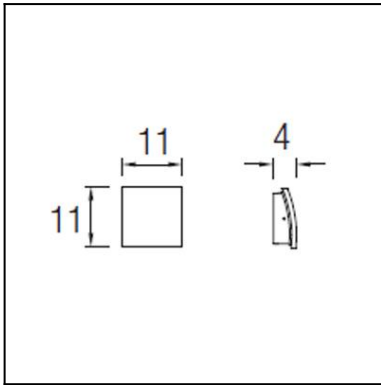


The photograph may not match the reference exactly. Please read the product description to identify the finish.



TECHNICAL CHARACTERISTICS

Type:	Wall fixture
IP Protection degrees:	IP64
IK Protection degrees:	IK08
Light source 1:	1 x LED Cree 2.3W Neutral white - 4000K 187 lm ^(N) CRI 75
Total power consumption (W):	4.5
Angle of the optics / Reflector:	25°
Voltage / Frequency:	100-240V/50-60Hz
Warranty (Years):	2
Option to extend the guarantee (Years):	5
Units per box:	20
Net Weight (Kg):	0.275
EAN:	8435111081891



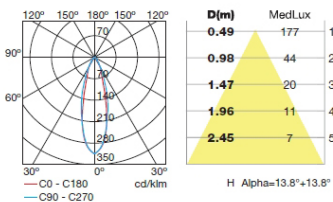
MATERIALS / FINISHES

Structure material:	High purity aluminium	Diffuser material:	Glass
Structure finish:	Grey	Diffuser finish:	Transparent

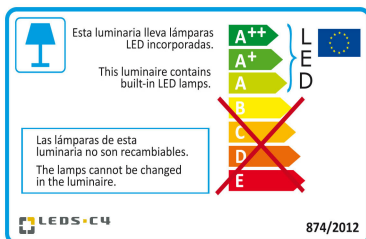
GEAR

Multi-voltage electronic gear included (110-240 V / 50-60 Hz)

LED 3W



Download photometric file .ldt / .ies



Click on image to download energy label

Lm^(N): Nominal flow of light in actual working conditions. Its actual flow will depend on the environmental conditions and the efficiency of the optics and/or diffuser.

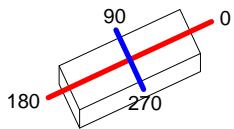
LEDS-C4 reserves the right to make the necessary technical changes they deem adequate, in order to improve the features of the product.

Please consult the sales team to clarify any doubt.

Luminaire		Measur.		Lamp		
Code	05-9483-34-37	Code	05-9483-34-37	Code	05-9483-34-37	
Name	Aplique SURF led 1x3W prisma	Name	Aplique SURF led 1x3W prisma	Number	1	
Line	Eulumdat	Date	28-07-2011	Position		
Efficiency	100.00%	Coordinate system	CG	Total Flux	111.48 lm	
Maximum value	314.84 cd	Position	C=0.00 G=0.00	Double Symmetrical		
Rectangular Luminaire	Length	40 mm	Width	110 mm	Height	110 mm
Round Luminous Area	Diam.	20 mm	Height	0 mm		
Horizontal Luminous Area	0.000314 m2	Emitting area on Plane 180°		0.000000 m2		
Emitting area on Plane 0°	0.000000 m2	Emitting area on Plane 270°		0.000000 m2		
Emitting area on Plane 90°	0.000000 m2	Glare area at 76°		0.000076 m2		
Symmetry Type	Double Symmetrical	Maximum Gamma Angle	90			
Measurement Distance	0.00	Measurement Flux	111.48 lm			
Operator	Asselum T2	Source voltage				
Temperature	25.00 °C	Source current				
Humidity	60.00 %	Photocell				
Notes						

Luminaire Lamps						
Line	Code	Name	Flux [lm]	Pow. [W]	Q.ty	
Eulumdat	05-9483-34-37	05-9483-34-37 - 3.00 W	111.48	3.00	1	
C.I.E.	89 97 100 100 100	D DIN 5040				
F UTE	1.00 A	B NBN				
		A60				
		BZ 1				

40mm x 110mm



C Halfplanes

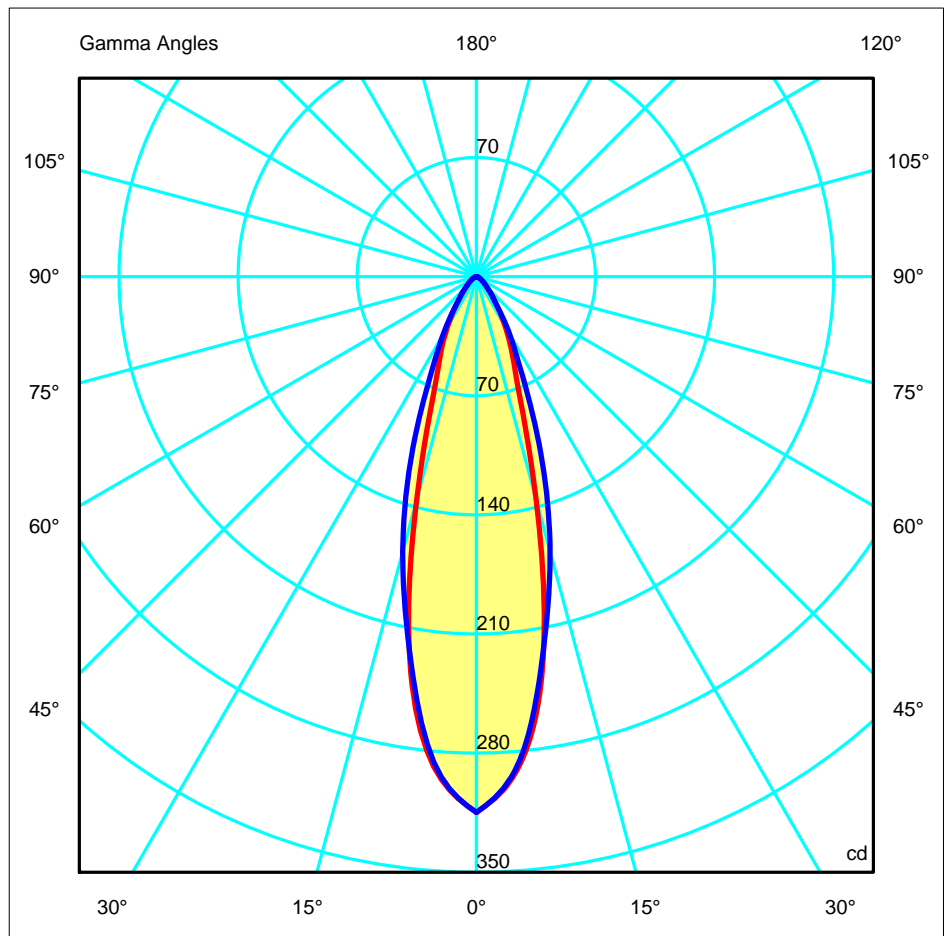
180.0 — 0.0

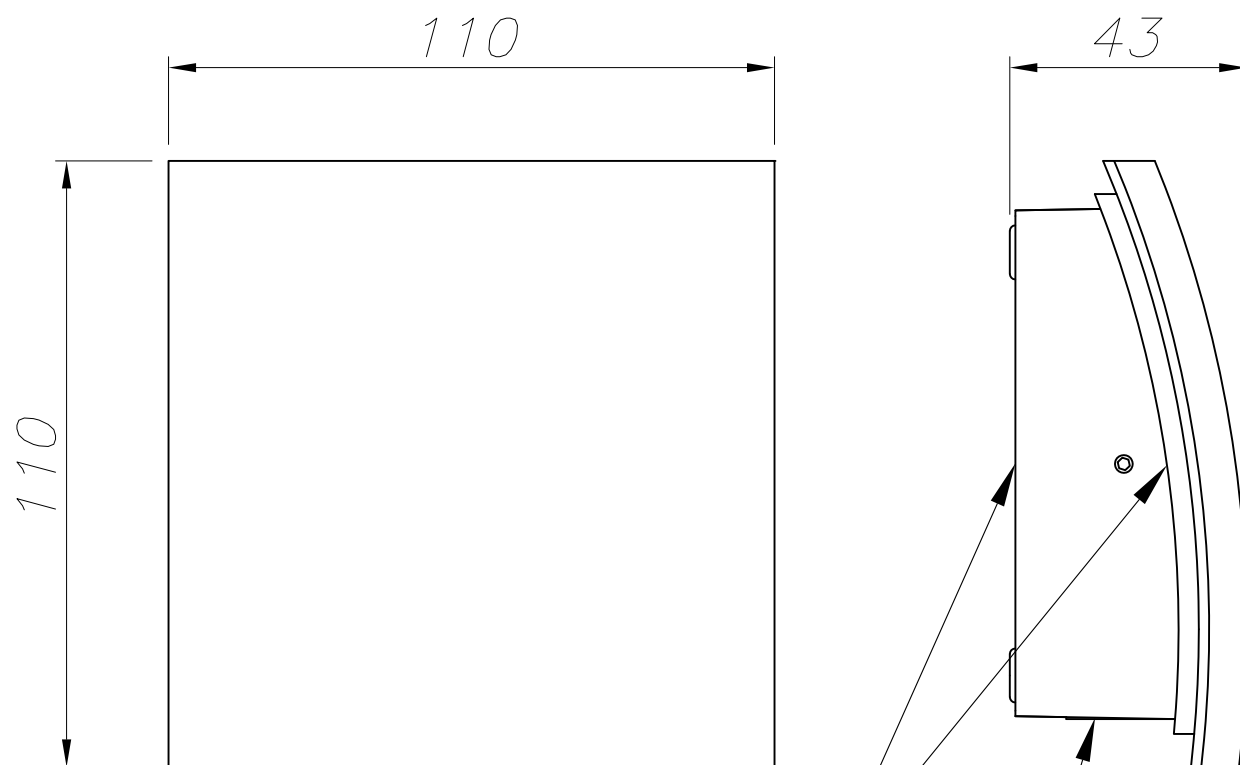
270.0 — 90.0

ULOR 0.00 %

DLOR 100.00 %

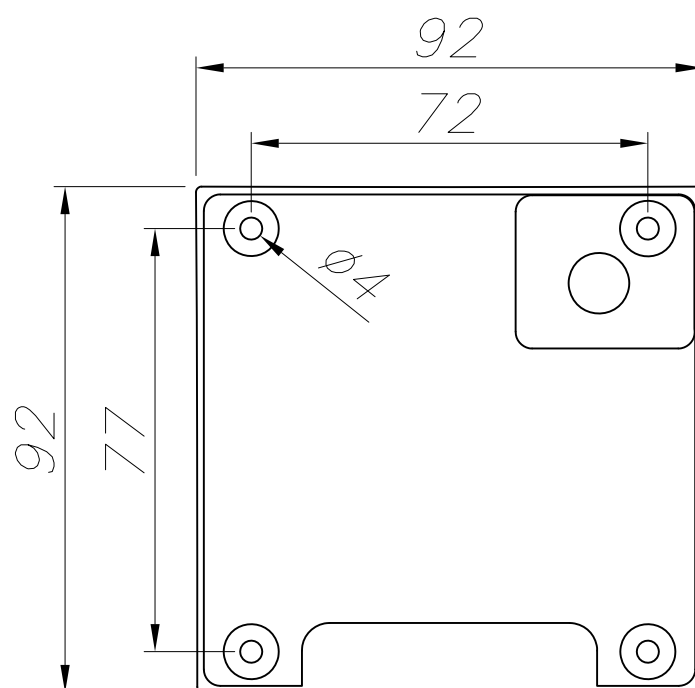
RN 0.00 %





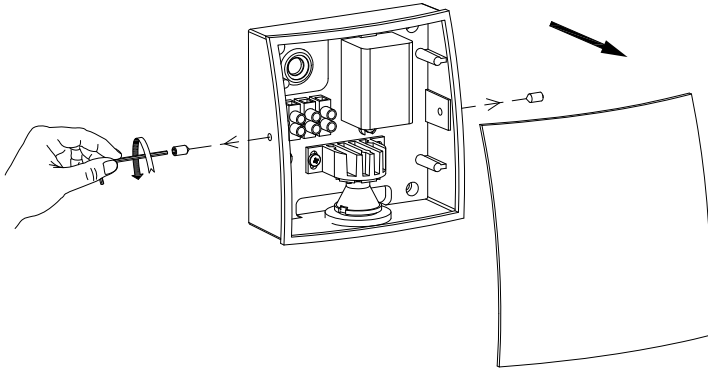
ALUMINIO INYECTADO
INJECTED ALUMINUM

CRISTAL TRANSPARENTE
TRANSPARENT GLASS

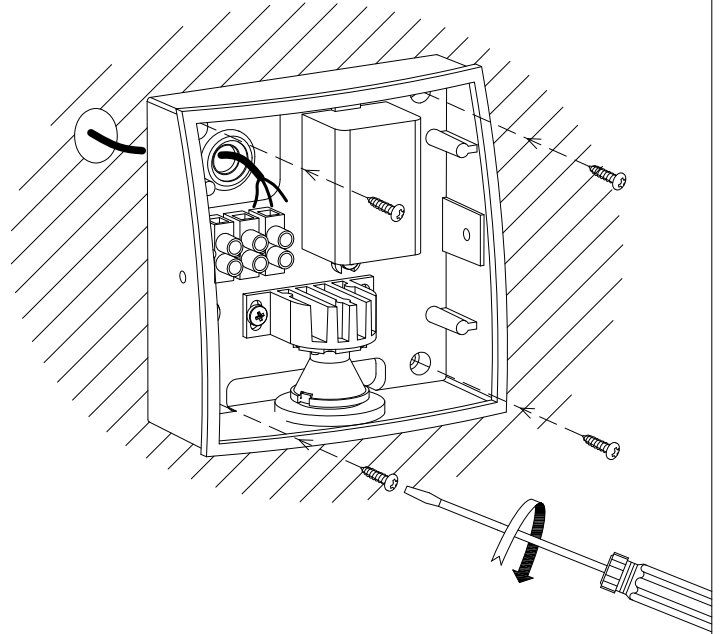


PLANTILLA DE INSTALACIÓN
INSTALLATION TEMPLATE

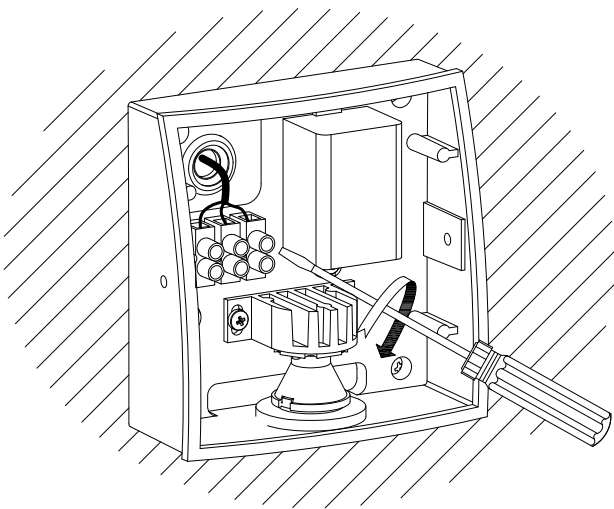
①



②



③



④

