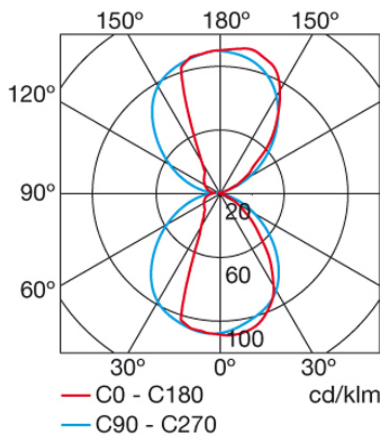
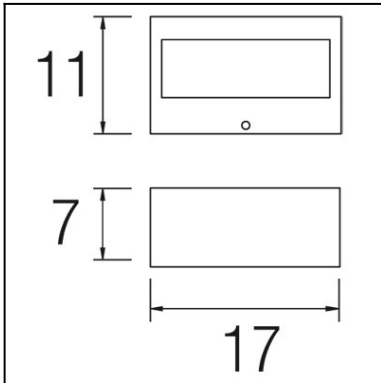
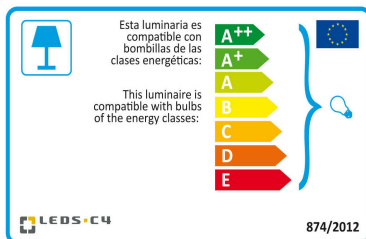




The photograph may not match the reference exactly. Please read the product description to identify the finish.



Download photometric file .ldt /.ies



Click on image to download energy label

TECHNICAL CHARACTERISTICS

| | |
|------------------------------|---|
| Type: | Wall fixture |
| IP Protection degrees: | IP44 |
| IK Protection degrees: | IK06 |
| Light source 1: | 1 x R7s max. 100W Maximum lamp length: 78.00 mm |
| Total power consumption (W): | 100 |
| Voltage / Frequency: | 230V/50-60Hz |
| Warranty (Years): | 2 |
| Units per box: | 8 |
| Net Weight (Kg): | 0.675 |
| EAN: | 8435111074886 |



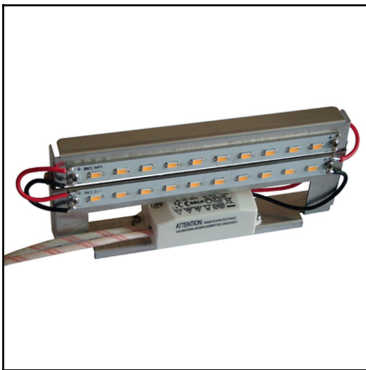
MATERIALS / FINISHES

| | | | |
|----------------------------|--------------------|---------------------------|-------|
| Structure material: | Injected aluminium | Diffuser material: | Glass |
| Structure finish: | Brown | Diffuser finish: | Matt |

71-8969-00-00



71-9781-00-00



Structure material:

Aluminium

Luminaire

Code 05-9177-14-B8V1
 Name Aplique NEMESIS 100W R7s

Measur.

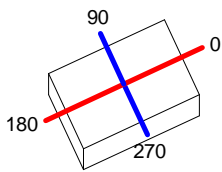
Code CL116A17F015G
 Name Aplique NEMESIS 100W R7s

| | | | | | | | |
|----------------------------|-------------|-----------------|-----------|-----------------------------|---------------|--------------------------|--------|
| Luminaire Flux | 692.87 lm | Luminaire Power | 100.50 W | Efficacy | 6.89 lm/W | Efficiency | 46.25% |
| Lamps Flux | 1498.00 lm | Maximum value | 139.73 cd | Position | C=0.00 G=0.00 | CG Sym. on planes 270-90 | |
| Rectangular Luminaire | | Length | 110 mm | Width | 170 mm | Height | 70 mm |
| Rectangular Luminous Area | | Length | 67 mm | Width | 157 mm | Height | 70 mm |
| Horizontal Luminous Area | 0.010519 m2 | | | Emitting area on Plane 180° | | 0.004690 m2 | |
| Emitting area on Plane 0° | 0.004690 m2 | | | Emitting area on Plane 270° | | 0.010990 m2 | |
| Emitting area on Plane 90° | 0.010990 m2 | | | Glare area at 76° | | 0.007095 m2 | |
| Coordinate system | CG | | | Symmetry Type | | Sym. on planes 270-90 | |
| Date | 23-01-2017 | | | Maximum Gamma Angle | | 180 | |
| Measurement Distance | 6.44 | | | Measurement Flux | | 1498.00 lm | |
| Operator | Asselum T2 | | | Source Voltage [V] | | 229.90 V | |
| Temperature | 25.00 °C | | | Source current [A] | | 0.44 A | |
| Humidity | 48.00 % | | | Photocell | | Prc | |
| Notes | CG | | | | | | |

Luminaire Lamps

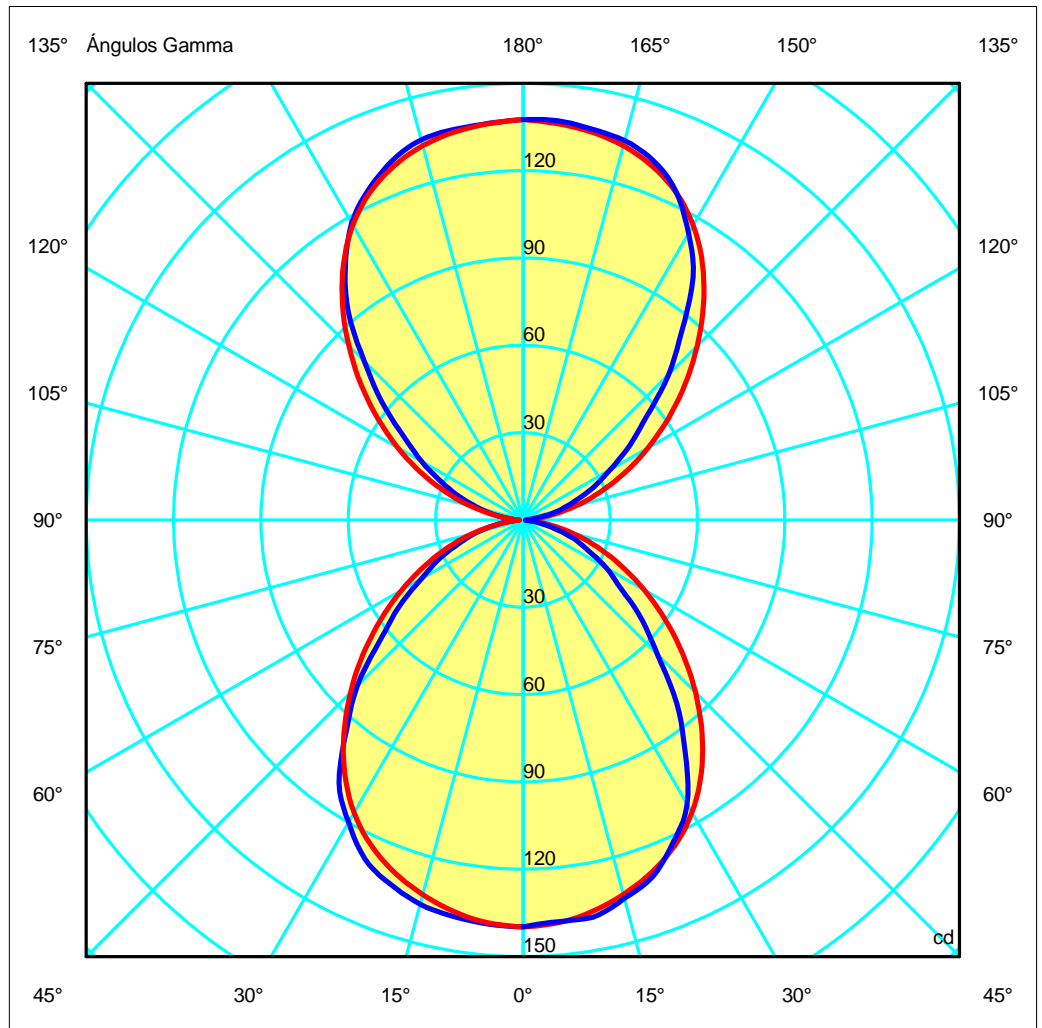
| Line | Code | Name | Flux [lm] | Pow. [W] | Q.ty |
|--------|-----------------|------------------|-----------|----------|------|
| | PLUSLINE 100W | HALOGEN 100W R7s | 1498.00 | 100.50 | 1 |
| C.I.E. | 54 84 97 50 46 | D DIN 5040 | C41 | | |
| F UTE | 0.23 D + 0.23 T | B NBN | BZ 4 | | |

110mm x 170mm



Semiplanos C
 270.0 ——— 0.0
 180.0 ——— 90.0

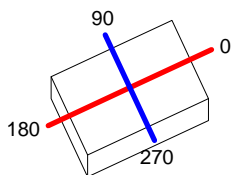
ULOR 23.25 %
 DLOR 23.01 %
 RN 50.26 %



| | | | | | | |
|----------------------------|--------------------------------|-----------------------------|--------------------------------|--------------|--------------------|-------|
| Luminaire | | Measur. | | Lamp | | |
| Code | 05-9177-34-B8 | Code | 05-9177-34-B8 | Code | 100T3 Q/CL/CP 230V | |
| Name | Aplique dir/ind 100W halog R7s | Name | Aplique dir/ind 100W halog R7s | Number | 1 | |
| Line | Eulumdat | Date | 19-11-2008 | Position | | |
| Efficiency | 40.02% | Coordinate system | CG | Total Flux | 1600.00 lm | |
| Maximum value | 148.36 cd | Position | C=0.00 G=165.00 | Asymmetrical | | |
| Rectangular Luminaire | Length | 110 mm | Width | 170 mm | Height | 70 mm |
| Rectangular Luminous Area | Length | 70 mm | Width | 155 mm | Height | 1 mm |
| Horizontal Luminous Area | 0.010850 m2 | Emitting area on Plane 180° | | 0.000070 m2 | | |
| Emitting area on Plane 0° | 0.000070 m2 | Emitting area on Plane 270° | | 0.000155 m2 | | |
| Emitting area on Plane 90° | 0.000155 m2 | Glare area at 76° | | 0.002693 m2 | | |
| Symmetry Type | Asymmetrical | Maximum Gamma Angle | | 180 | | |
| Measurement Distance | 0.00 | Measurement Flux | | 1600.00 lm | | |
| Operator | OxyTech | Source voltage | | | | |
| Temperature | 25.00 °C | Source current | | | | |
| Humidity | 60.00 % | Photocell | | | | |
| Notes | | | | | | |

| Luminaire Lamps | | | | | | |
|-----------------|--------------------|-------------------------------|-------------------|----------|------|--|
| Line | Code | Name | Flux [lm] | Pow. [W] | Q.ty | |
| Eulumdat | 100T3 Q/CL/CP 230V | 100T3 Q/CL/CP 230V - 100.00 W | 1600.00 | 100.00 | 1 | |
| C.I.E. | 55 84 97 49 40 | D DIN 5040 | C42 | | | |
| F UTE | 0.20 D + 0.20 T | B NBN | BZ 3 / 0.6 / BZ 4 | | | |

110mm x 170mm



C Halfplanes

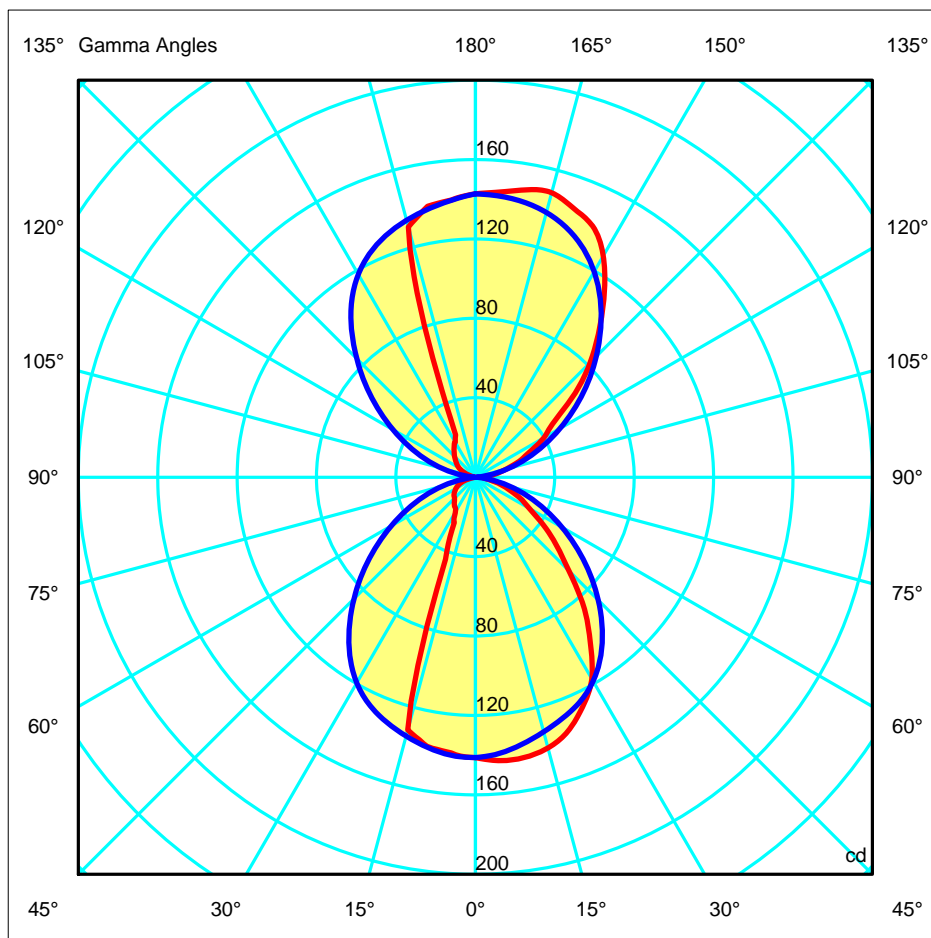
180.0 — 0.0 (Red line)

270.0 — 90.0 (Blue line)

ULOR 20.23 %

DLOR 19.79 %

RN 50.56 %



Luminaire

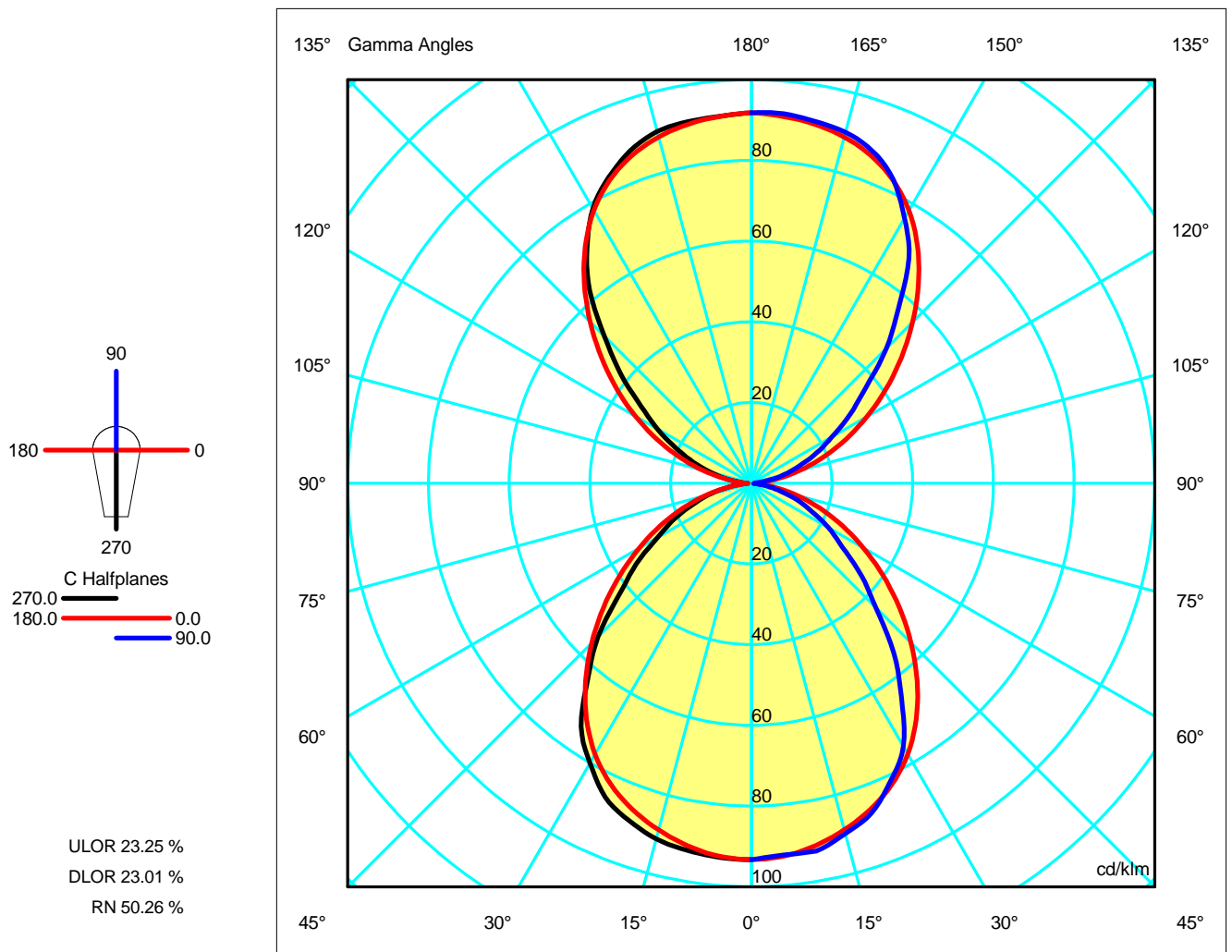
Code 05-9177-34-B8V1
 Name Aplique NEMESIS 100W R7s

Measur.

Code CL116A17F015G
 Name Aplique NEMESIS 100W R7s

| | | | | | | | |
|---------------------------|-------------|-----------------------------|-----------------------|-----------------------------|---------------|----------------------------|-------------|
| Luminaire Flux | 692.87 lm | Luminaire Power | 100.50 W | Efficacy | 6.89 lm/W | Efficiency | 46.25% |
| Lamps Flux | 1498.00 lm | Maximum value | 93.28 cd/klm | Position | C=0.00 G=0.00 | CG Sym. on planes | 270-90 |
| Rectangular Luminaire | | Length | 110 mm | Width | 170 mm | Height | 70 mm |
| Rectangular Luminous Area | | Length | 67 mm | Width | 157 mm | Height | 70 mm |
| Horizontal Luminous Area | 0.010519 m2 | Emitting area on Plane 180° | 0.004690 m2 | Emitting area on Plane 270° | 0.010990 m2 | Emitting area on Plane 90° | 0.007095 m2 |
| Coordinate system | CG Roads | Symmetry Type | Sym. on planes 270-90 | Maximum Gamma Angle | 180 | Measurement Flux | 1498.00 lm |
| Date | 23-01-2017 | Measurement Distance | 0.00 | Operator | Asselum T2 | Temperature | 25.00 °C |
| Measurement Distance | 0.00 | Humidity | 60.00 % | Notes | | Source Voltage [V] | |
| | | | | | | Source current [A] | |
| | | | | | | Photocell | |

| Line | Luminaire Lamps | | | | | |
|--------|-----------------|---------------|-----------|----------|------|--|
| | Code | Name | Flux [lm] | Pow. [W] | Q.ty | |
| | PLUSLINE 100W | PLUSLINE 100W | 1498.00 | 100.50 | 1 | |
| C.I.E. | 54 84 97 50 46 | D DIN 5040 | C41 | | | |



Luminaire

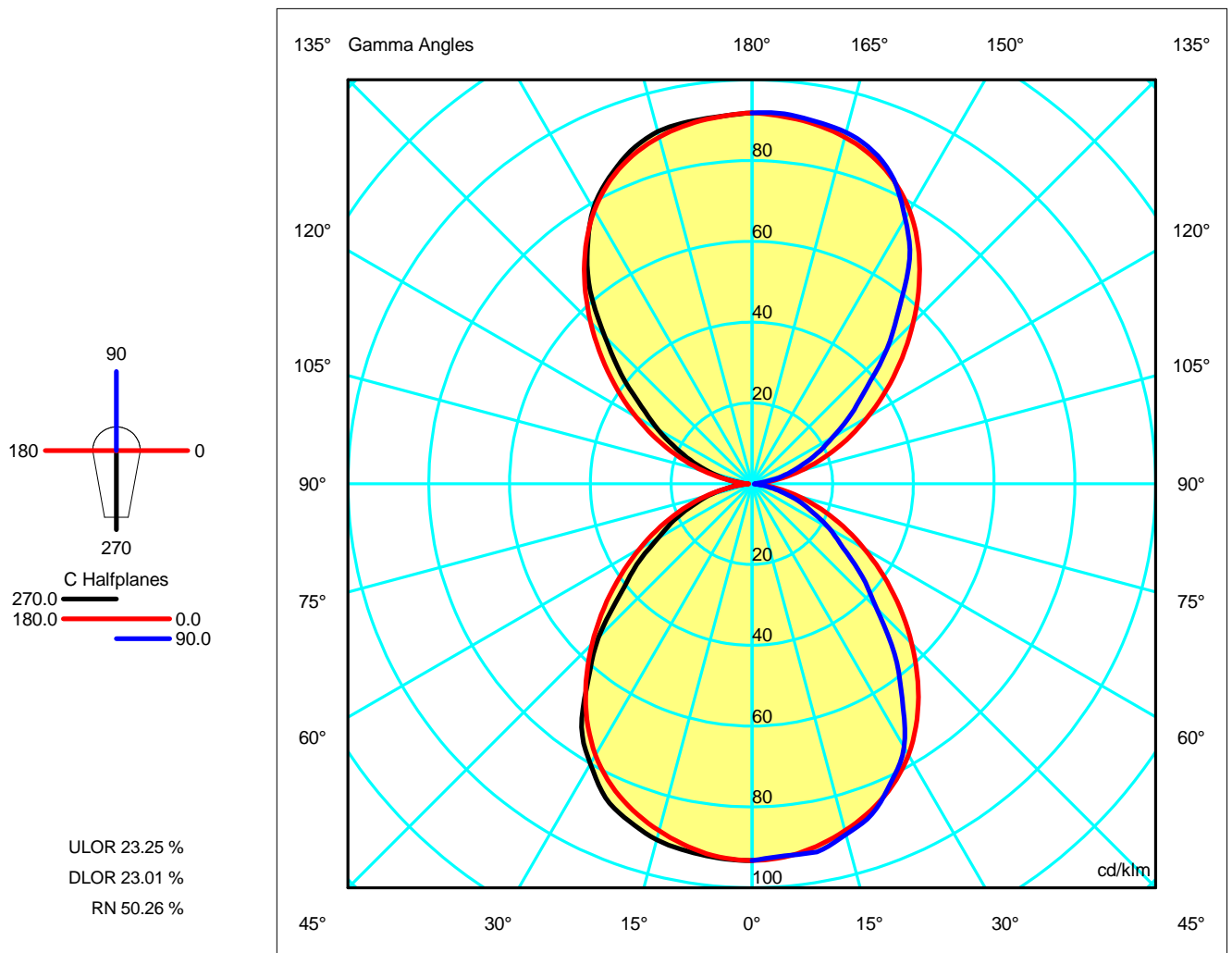
Code 05-9177-J6-B8V1
 Name Aplique NEMESIS 100W R7s

Measur.

Code CL116A17F015G
 Name Aplique NEMESIS 100W R7s

| | | | | | | | |
|---------------------------|-------------|-----------------------------|-----------------------|-----------------------------|---------------|----------------------------|-----------------------|
| Luminaire Flux | 692.87 lm | Luminaire Power | 100.50 W | Efficacy | 6.89 lm/W | Efficiency | 46.25% |
| Lamps Flux | 1498.00 lm | Maximum value | 93.28 cd/klm | Position | C=0.00 G=0.00 | CG | Sym. on planes 270-90 |
| Rectangular Luminaire | | Length | 110 mm | Width | 170 mm | Height | 70 mm |
| Rectangular Luminous Area | | Length | 67 mm | Width | 157 mm | Height | 70 mm |
| Horizontal Luminous Area | 0.010519 m2 | Emitting area on Plane 180° | 0.004690 m2 | Emitting area on Plane 270° | 0.010990 m2 | Emitting area on Plane 90° | 0.007095 m2 |
| Coordinate system | CG Roads | Symmetry Type | Sym. on planes 270-90 | Maximum Gamma Angle | 180 | Measurement Distance | 1498.00 lm |
| Date | 23-01-2017 | Measurement Flux | 1498.00 lm | | | | |
| Measurement Distance | 0.00 | | | | | | |
| Operator | Asselum T2 | Source Voltage [V] | | Source current [A] | | Photocell | |
| Temperature | 25.00 °C | | | | | | |
| Humidity | 60.00 % | | | | | | |
| Notes | | | | | | | |

| Line | Luminaire Lamps | | | | | |
|--------|-----------------|---------------|-----------|----------|------|--|
| | Code | Name | Flux [lm] | Pow. [W] | Q.ty | |
| | PLUSLINE 100W | PLUSLINE 100W | 1498.00 | 100.50 | 1 | |
| C.I.E. | 54 84 97 50 46 | D DIN 5040 | C41 | | | |



Luminaire

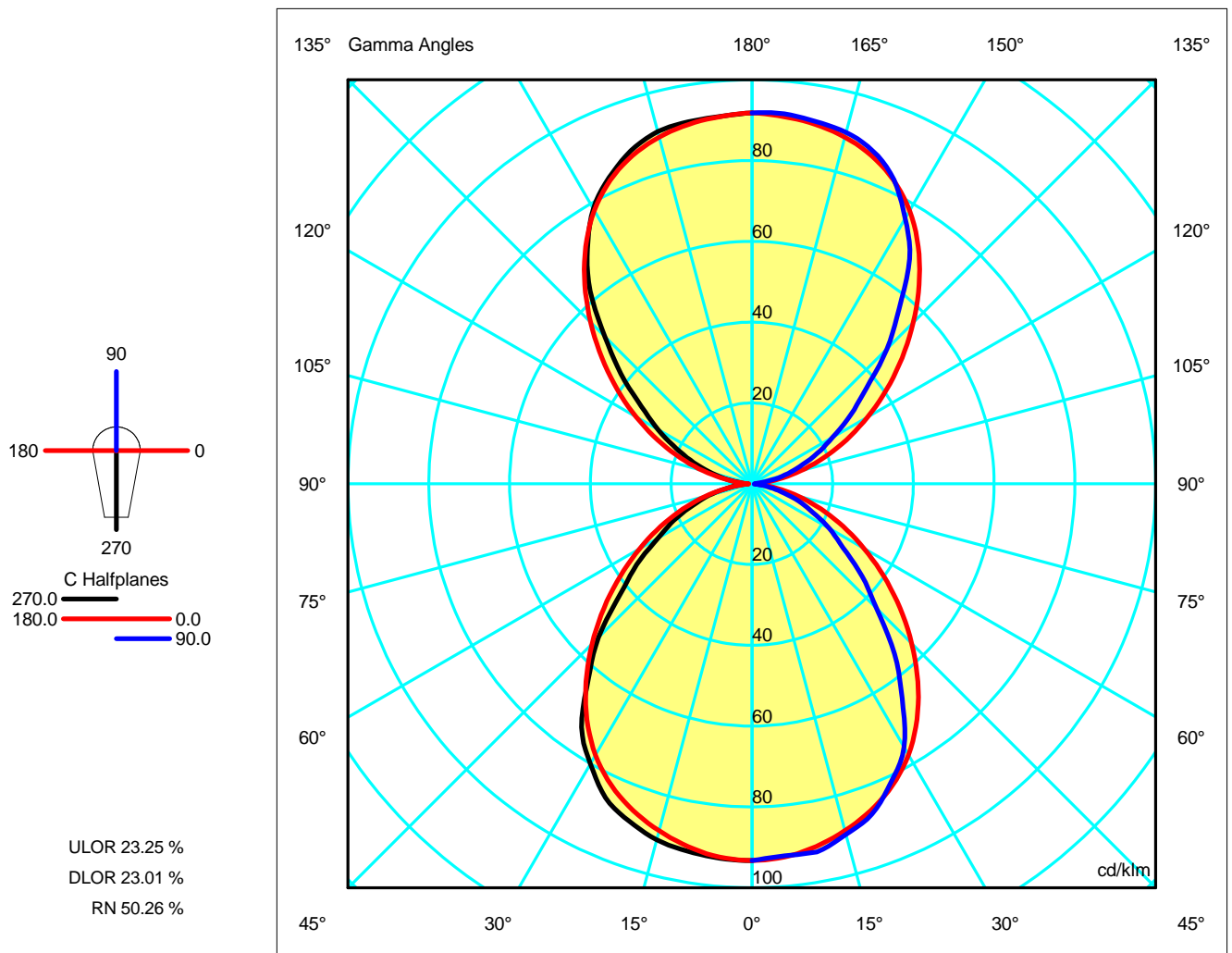
Code 05-9177-Z5-B8V1
 Name Aplique NEMESIS 100W R7s

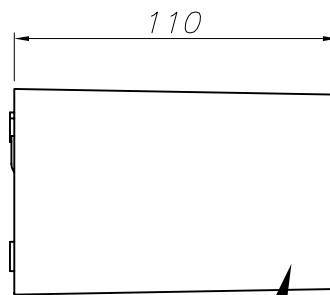
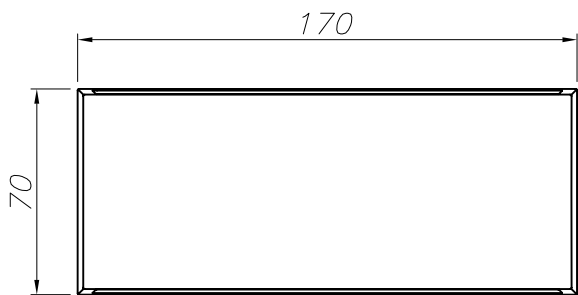
Measur.

Code CL116A17F015G
 Name Aplique NEMESIS 100W R7s

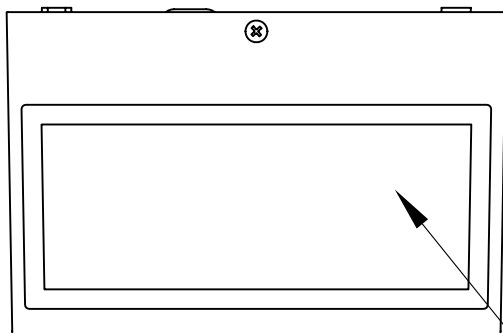
| | | | | | | | |
|---------------------------|-------------|-----------------------------|-----------------------|-----------------------------|---------------|----------------------------|-----------------------|
| Luminaire Flux | 692.87 lm | Luminaire Power | 100.50 W | Efficacy | 6.89 lm/W | Efficiency | 46.25% |
| Lamps Flux | 1498.00 lm | Maximum value | 93.28 cd/klm | Position | C=0.00 G=0.00 | CG | Sym. on planes 270-90 |
| Rectangular Luminaire | | Length | 110 mm | Width | 170 mm | Height | 70 mm |
| Rectangular Luminous Area | | Length | 67 mm | Width | 157 mm | Height | 70 mm |
| Horizontal Luminous Area | 0.010519 m2 | Emitting area on Plane 180° | 0.004690 m2 | Emitting area on Plane 270° | 0.010990 m2 | Emitting area on Plane 90° | 0.007095 m2 |
| Coordinate system | CG Roads | Symmetry Type | Sym. on planes 270-90 | Maximum Gamma Angle | 180 | Measurement Flux | 1498.00 lm |
| Date | 23-01-2017 | Measurement Flux | 1498.00 lm | | | | |
| Measurement Distance | 0.00 | | | | | | |
| Operator | Asselum T2 | Source Voltage [V] | 180 | Source current [A] | | Photocell | |
| Temperature | 25.00 °C | | | | | | |
| Humidity | 60.00 % | | | | | | |
| Notes | | | | | | | |

| Line | Luminaire Lamps | | | | | |
|--------|-----------------|---------------|-----------|----------|------|--|
| | Code | Name | Flux [lm] | Pow. [W] | Q.ty | |
| | PLUSLINE 100W | PLUSLINE 100W | 1498.00 | 100.50 | 1 | |
| C.I.E. | 54 84 97 50 46 | D DIN 5040 | C41 | | | |

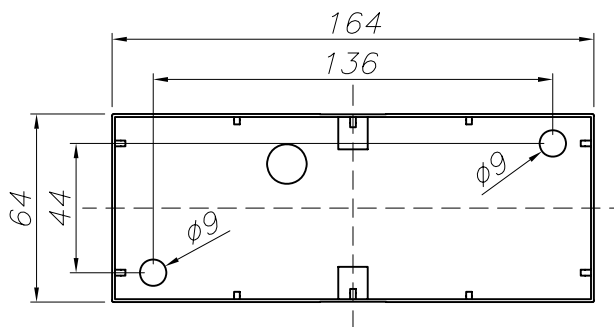




ALUMINIO INYECTADO
INJECTED ALUMINUM

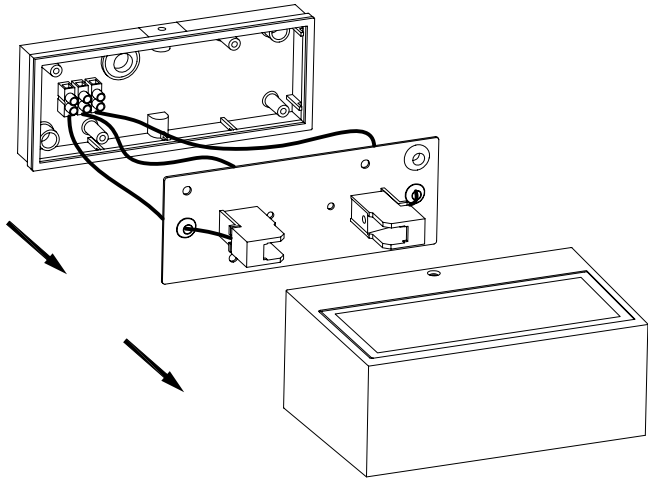


CRISTAL MATE
MATT GLASS

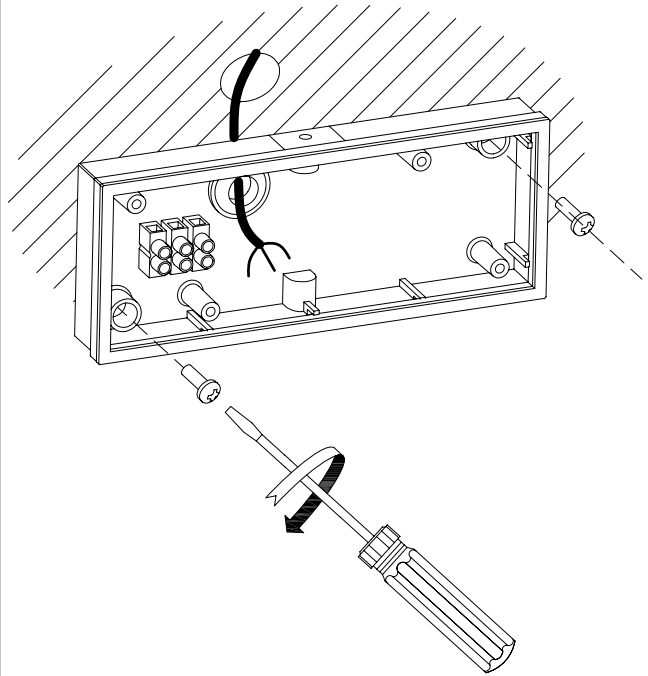


PLANTILLA DE INSTALACIÓN
INSTALLATION TEMPLATE

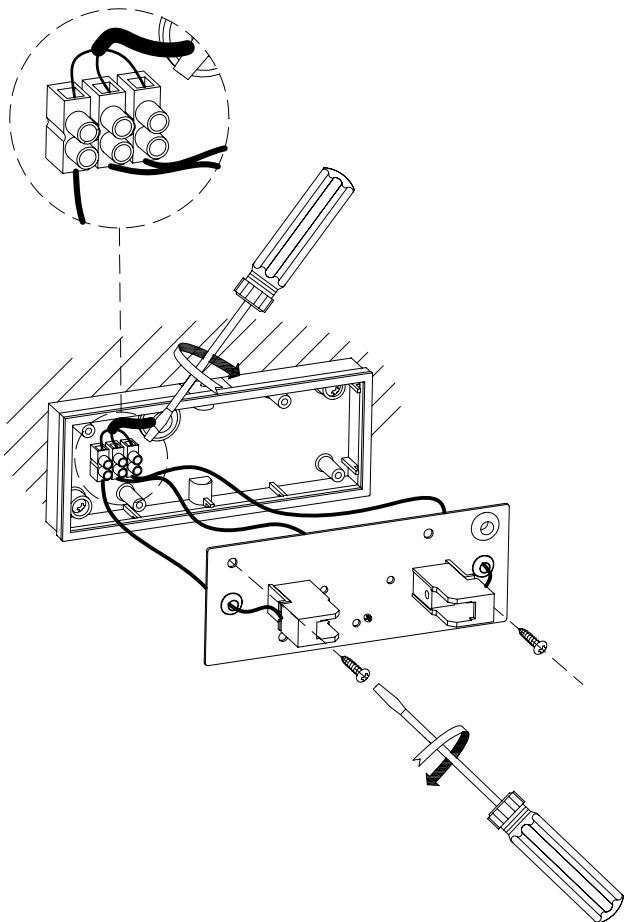
①



②



③



④

