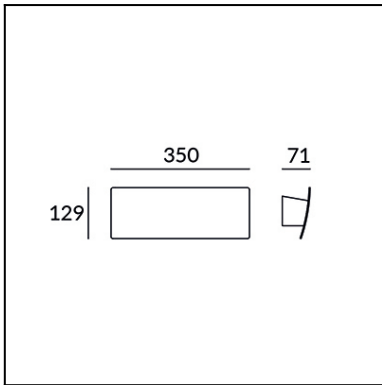


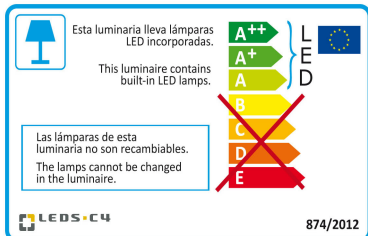
Design by Gemma Bernal



The photograph may not match the reference exactly. Please read the product description to identify the finish.



Download photometric file .ldt /.ies



Click on image to download energy label

TECHNICAL CHARACTERISTICS

Type:	Wall fixture
IP Protection degrees:	IP20
Light source 1:	120 x LED
Bulb specified at the product label	30W Warm White - 3000K 3857 lm ^(N) CRI 80
Total power consumption (W):	32.5
Voltage / Frequency:	220-240VAC/50-60Hz
Warranty:	2
Option to extend the guarantee:	5
Units per box:	8
Net Weight (Kg):	0.925
EAN Code:	8435381463922



MATERIALS / FINISHES

Structure material: Extruded aluminium
Injected aluminium

Diffuser material: Methacrylate

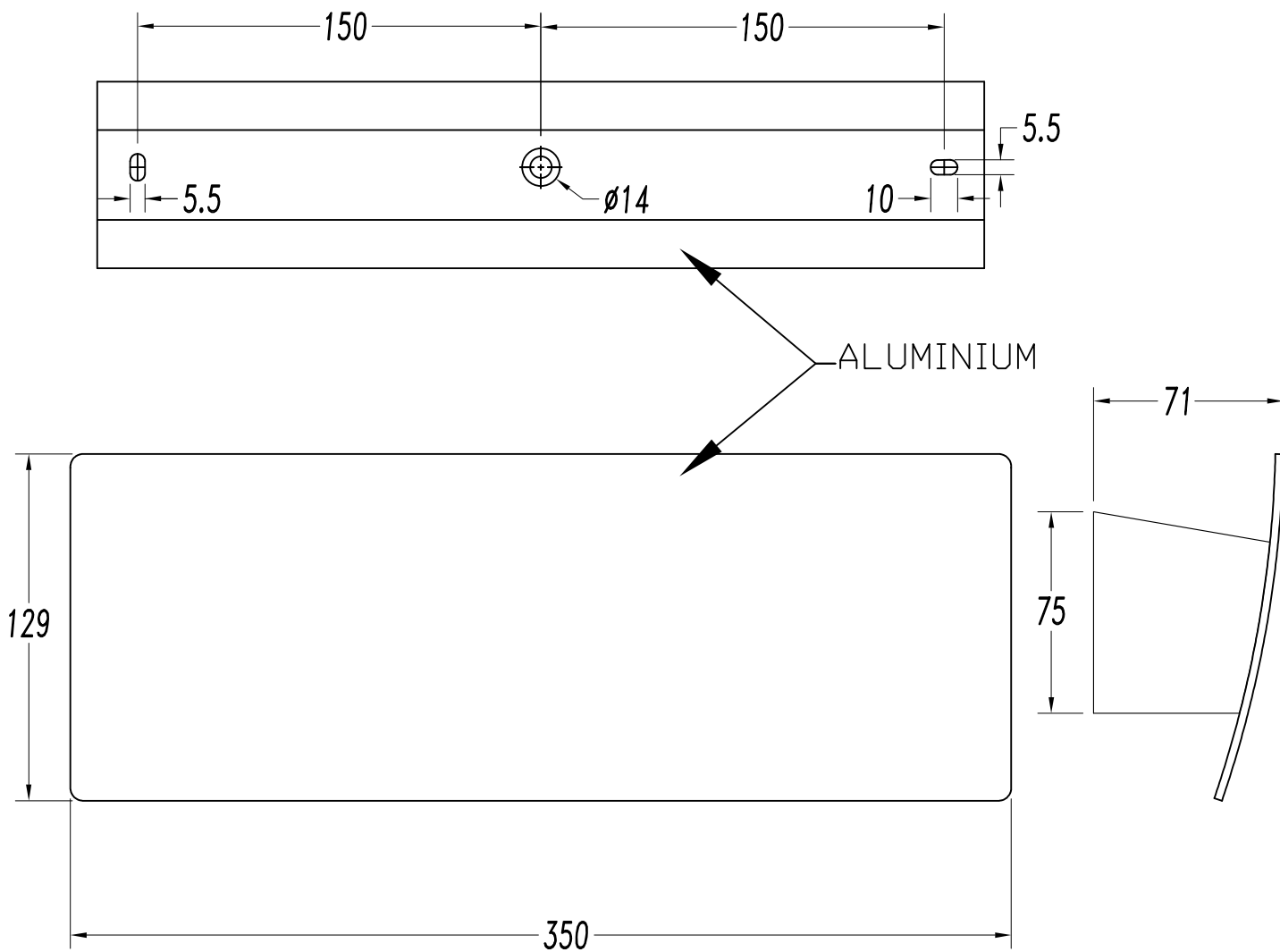
Structure finish: Matt white

Diffuser finish: Sandblasted

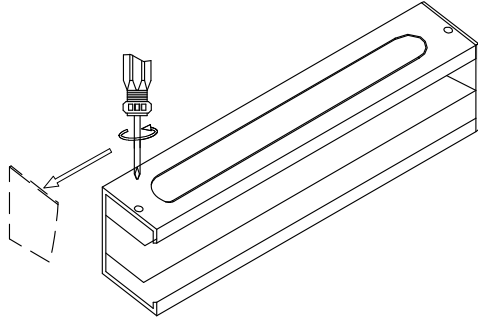
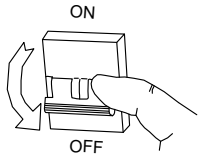
GEAR

Gear included: Yes, electronic

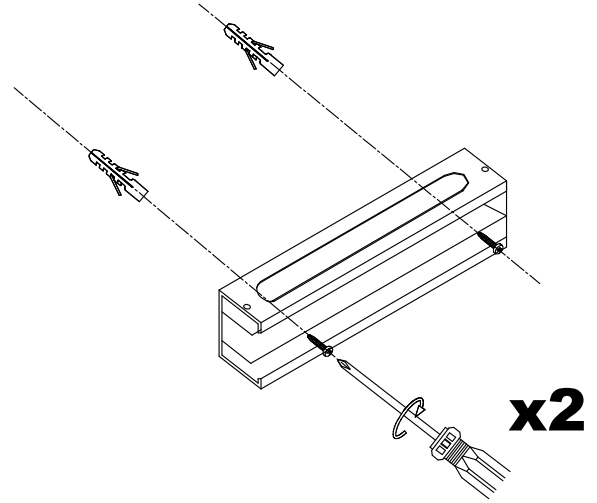
Dimming protocol: Phase cut



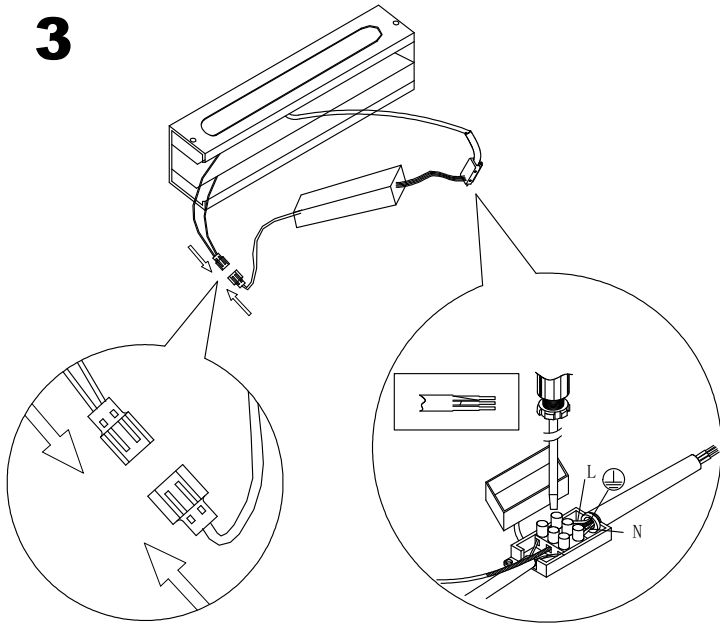
1



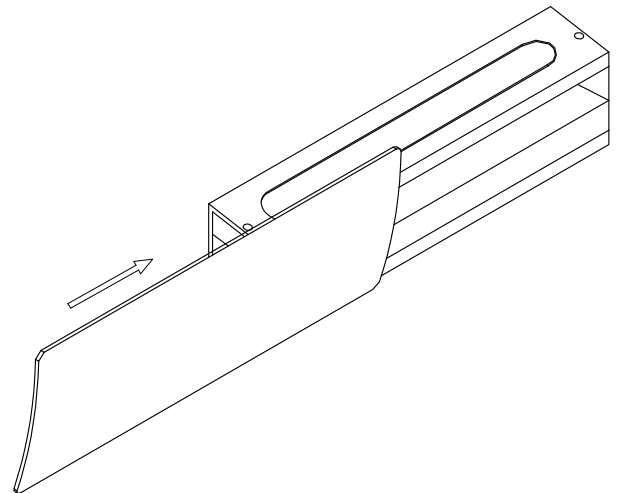
2



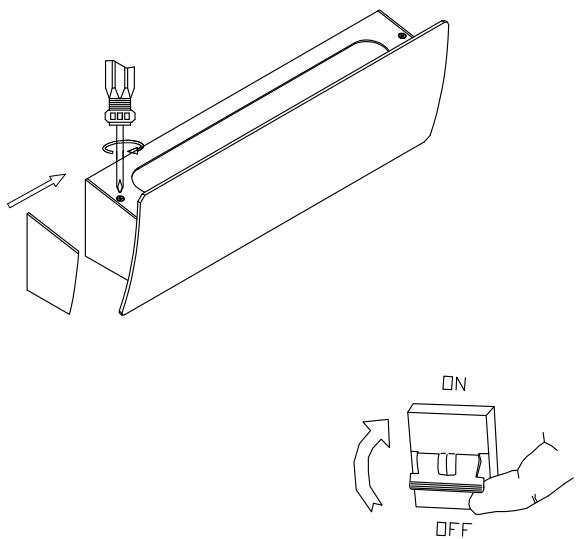
3



4



5



6

