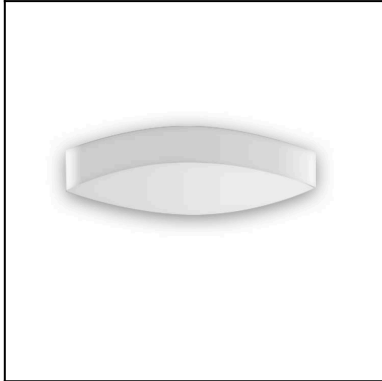
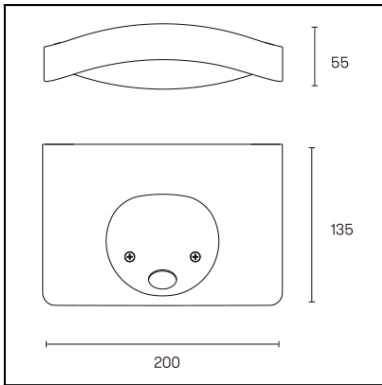


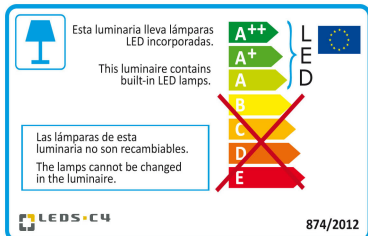
Design by Josep Patsí



The photograph may not match the reference exactly. Please read the product description to identify the finish.



Download photometric file .ldt /.ies



Click on image to download energy label

TECHNICAL CHARACTERISTICS

Type:	Wall fixture
IP Protection degrees:	IP20
Light source 1:	1 x LED Cree
Bulb specified at the product label	17,6W Warm White - 2700K 2113 lm ^(N) CRI 80
Total power consumption (W):	20.2W
Voltage / Frequency:	220-240V/50-60Hz
Warranty:	2
Option to extend the guarantee:	5
Units per box:	12
Net Weight (Kg):	
EAN Code:	8435381440558
CFM:	0.00



MATERIALS / FINISHES

Structure material: Aluminium
Steel

Diffuser material: Methacrylate

Structure finish: Matt white

Diffuser finish: Transparent

GEAR

Gear included: Yes, electronic
Dimming protocol: Mains dimming (LC)

OPTOTRONIC®

Constant Current LED Power Supply mains dimmable (Phase Cut functionality)

List of Phase Cut Dimmers tested for compatibility

Brand	Model Number	L/T	OTe10/220-240/700PC		OTe13/220-240/350PC		OTe18/220-240/350PC		OTe18/220-240/500PC	
			dim min	dim max	dim min	dim max	dim min	dim max	dim min	dim max
Busch	2247U	L	7%	98%	9%	97%	30%	96%	30%	100%
Busch	6523U	L	5%	98%	4%	94%	1%	93%	5%	99%
Busch	6513U-102	T	18%	99%	16%	97%	10%	95%	18%	100%
Busch	2250	L	5%	100%	0%	95%	40%	96%	34%	100%
Clipsal	32E450 TM	T	11%	100%	10%	97%	5%	95%	14%	100%
Clipsal	32E450UM	T	15%	97%	13%	96%	8%	93%	18%	100%
Clipsal	32E2CFLDM	L	10%	98%	9%	97%	4%	93%	9%	100%
Clipsal*	32E450LM	L	2%	96%	1%	95%	3%	97%	7%	98%
ELKO*	315 GLE	T	9%	100%	10%	95%	7%	100%	33%	100%
ELKO*	400 GLI	L	3%	100%	2%	96%	4%	96%	7%	100%
Feller*	40600.RL	L	2%	100%	3%	97%	6%	97%	6%	98%
GIRA	0307 00/01	T	1%	100%	0%	97%	0%	96%	5%	100%
Hager B&R	WBMD400TO	T	23%	100%	17%	97%	12%	100%	29%	100%
HPM	cat 400T	T	7%	90%	5%	85%	3%	85%	9%	100%
HPM	Cat 200L	L	4%	78%	5%	82%	4%	76%	4%	82%
Jung	225TDDE	T	15%	99%	11%	96%	7%	91%	13%	100%
Jung*	225NVDE	L	4%	99%	5%	97%	5%	97%	8%	100%
Legrand	Cat 400L	T	1%	100%	1%	95%	0%	97%	1%	105%
Legrand	Cat 400T	L	4%	82%	1%	85%	3%	81%	5%	78%
Legrand	ZLD03	T	4%	82%	0%	78%	3%	88%	9%	100%
Legrand	078407	L	2%	90%	4%	95%	1%	86%	3%	93%
Legrand	067083	T	3%	91%	3%	95%	2%	87%	4%	93%
Legrand	770062	T	5%	97%	5%	100%	3%	94%	4%	100%
TCL-Legrand	775903	T	9%	96%	8%	92%	3%	89%	10%	100%
Lutron*	GRX-3106-T-AU-WH	L	0%	100%	0%	97%	0%	96%	0%	100%
Lutron (USA)	GXI-3104-T-CE-WH	T	4%	100%	0%	97%	0%	96%	0%	100%
NIKO	310-01900	T	4%	97%	4%	100%	0%	95%	4%	100%
NIKO	330-00700	T	4%	97%	3%	100%	1%	95%	2%	100%
NIKO	310-02700	T	9%	89%	9%	93%	6%	83%	7%	88%
NIKO	310-02800	T	2%	97%	1%	100%	1%	95%	4%	92%
OSRAM	HTi DALI 315 DIM	T	12%	100%	8%	97%	5%	96%	11%	100%
OSRAM	MCU Te250	T	6%	89%	5%	85%	4%	84%	11%	100%
Siemens	5TC8 284	T	10%	100%	6%	97%	3%	94%	10%	100%

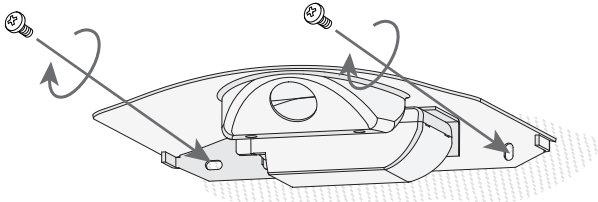
* Functionality at the minimum load to be checked

The list is tested by **one** dimmer with one driver

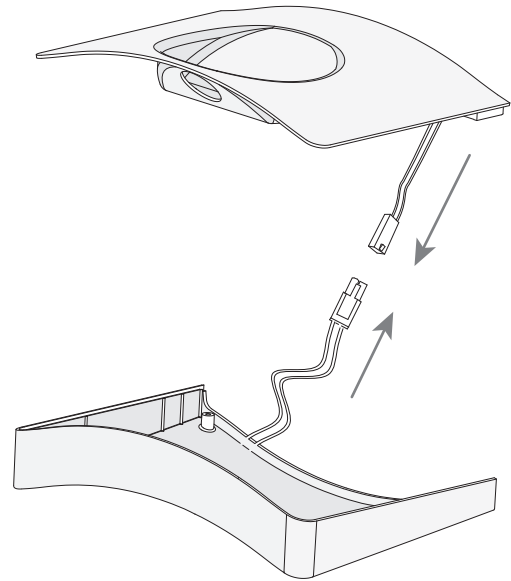
Compatibility proven in respect of linear dimming behaviour in the range given by the dimmer and absence of flashing and flickering

Max. dimming level depending on the construction of the dimmer

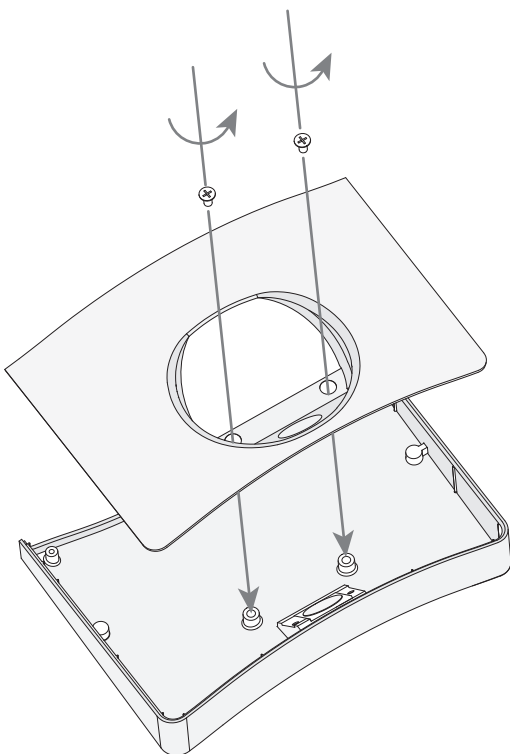
1



2



3



4

