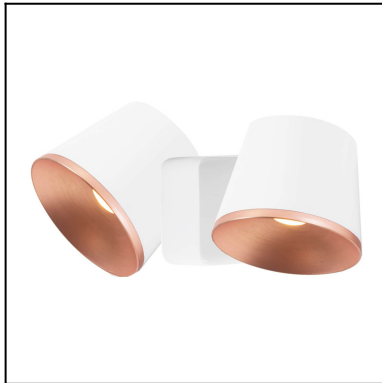
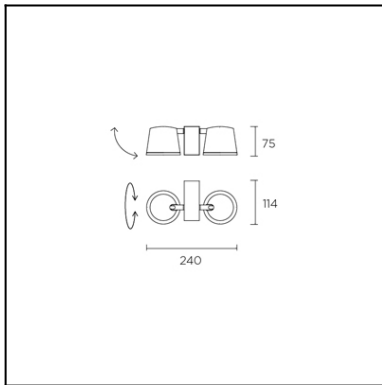


Design by Lluscà&Santolaria (?)



The photograph may not match the reference exactly. Please read the product description to identify the finish.

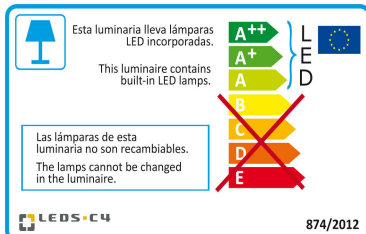


TECHNICAL CHARACTERISTICS

Type:	Wall fixture
Adjustable:	Adjustable 355° on the horizontal axis. Adjustable ±180° on the horizontal axis.
IP Protection degrees:	IP20
Light source 1:	2 x LED Cree 14W Warm White - 2700K 1100 lm ^(N) CRI 80
Total power consumption (W):	16,3W
Angle of the optics / Reflector:	120°
Voltage / Frequency:	120-227V/50-60Hz
Warranty (Years):	2
Option to extend the guarantee (Years):	5
Units per box:	6
Net Weight (Kg):	0.845
EAN:	8435381444969



Download photometric file .ldt / .ies



Click on image to download energy label

MATERIALS / FINISHES

Structure material:	Aluminium	Diffuser material:	Aluminium
Structure finish:	Matt white		

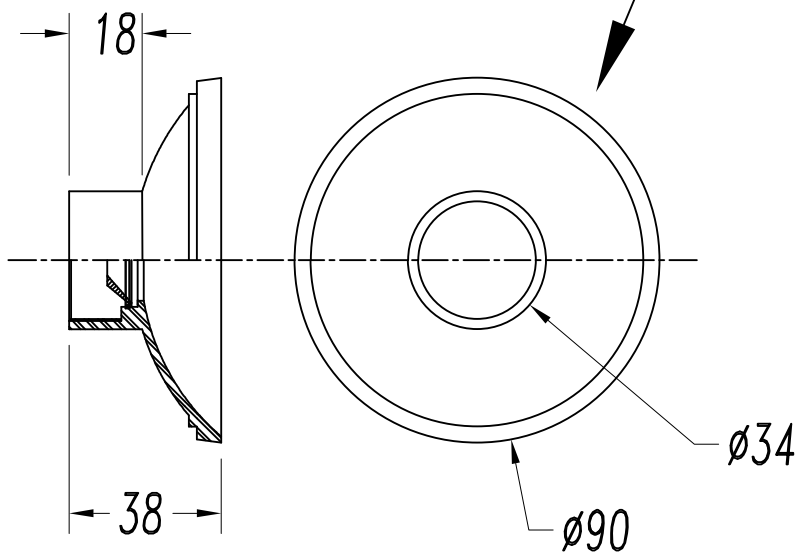
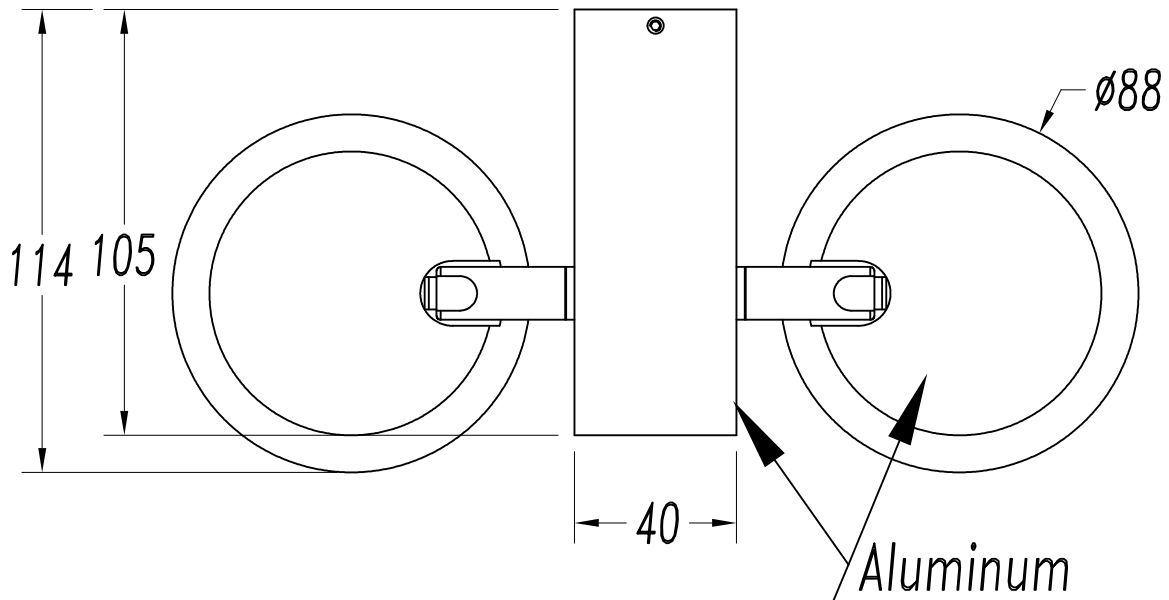
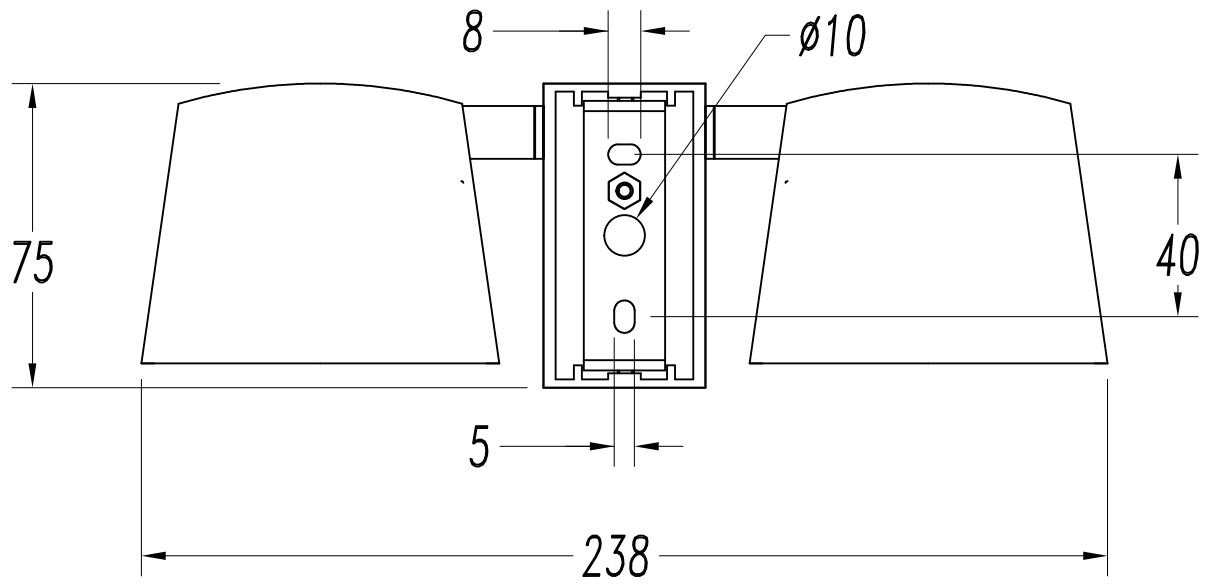
GEAR

Multi-voltage electronic gear included (120-277V / 50-60Hz)

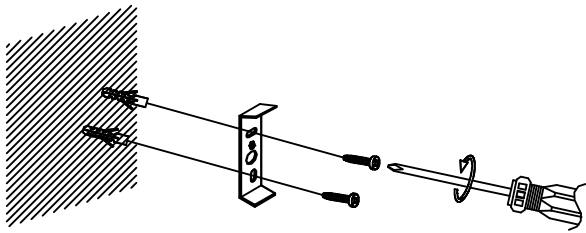
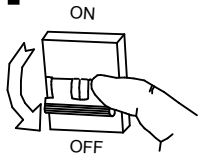
Lm^(N): Nominal flow of light in actual working conditions. Its actual flow will depend on the environmental conditions and the efficiency of the optics and/or diffuser.

LEDS-C4 reserves the right to make the necessary technical changes they deem adequate, in order to improve the features of the product.

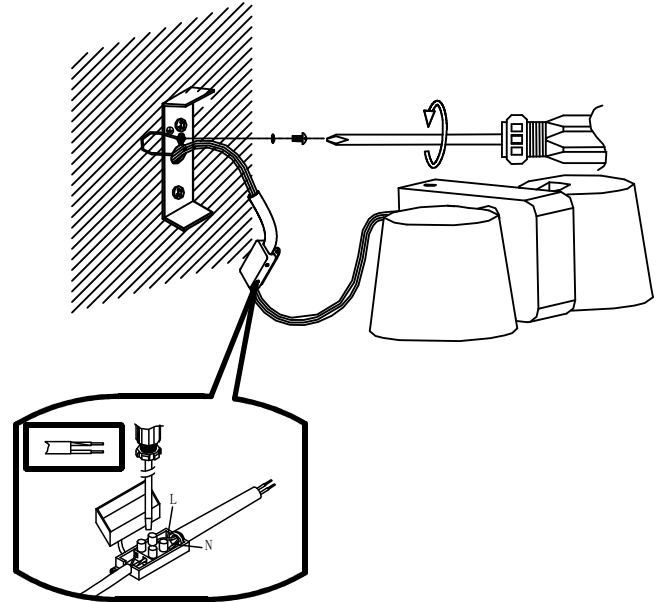
Please consult the sales team to clarify any doubt.



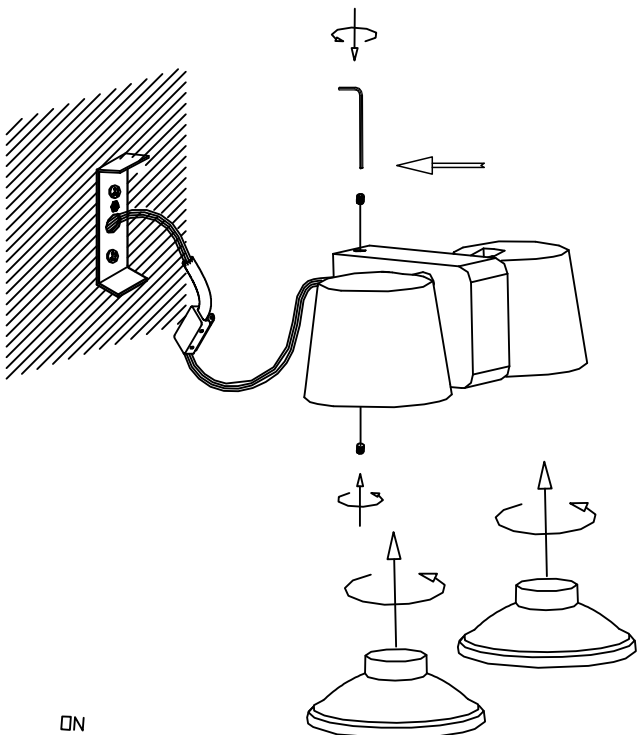
1



2



3



4

