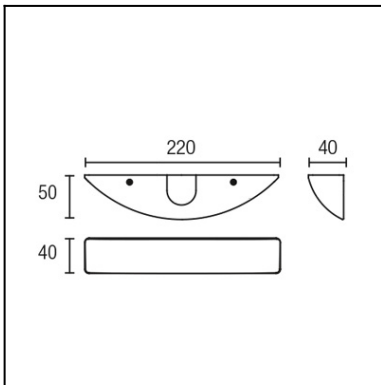




The photograph may not match the reference exactly. Please read the product description to identify the finish.

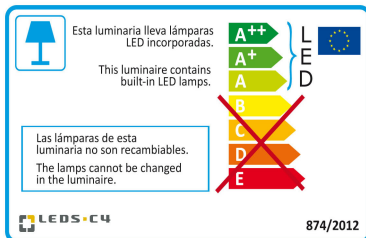

**TECHNICAL CHARACTERISTICS**

Type:	Wall fixture
IP Protection degrees:	IP20
Light source 1:	1 x LED Samsung 4.5W Warm White - 3000K 290 lm <sup>(N)</sup> CRI 80
Total power consumption (W):	6.8W
Voltage / Frequency:	220-240V/50-60Hz
Warranty (Years):	2
Option to extend the guarantee (Years):	5
Units per box:	8
Net Weight (Kg):	0.255
EAN:	8435381429294


**MATERIALS / FINISHES**

<b>Structure material:</b>	Aluminium	<b>Diffuser material:</b>	Methacrylate
<b>Structure finish:</b>	Matt white	<b>Diffuser finish:</b>	Transparent

[Download photometric file .ldt / .ies](#)



[Click on image to download energy label](#)

Lm<sup>(N)</sup>: Nominal flow of light in actual working conditions. Its actual flow will depend on the environmental conditions and the efficiency of the optics and/or diffuser.

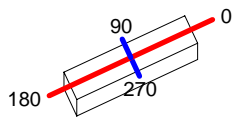
LEDS-C4 reserves the right to make the necessary technical changes they deem adequate, in order to improve the features of the product.

Please consult the sales team to clarify any doubt.

Luminaire		Measur.		Lamp			
Code	05-5078-21-21	Code	05-5078-21-21	Code	05-5078-21-21		
Name	Aplique EOS led 4.5W	Name	Aplique EOS led 4.5W	Number	1		
Line	- LEDS C4 LEDS	Date	17-09-2015	Position	Universal		
Luminaire Flux	262.49 lm	Luminaire Power	4.00 W	Efficacy	65.62 lm/W	Efficiency	100.00%
Lamps Flux	262.50 lm	Maximum value	251.28 cd	Position	C=90.00 G=35.00	CG	Sym. on planes 270-90
Rectangular Luminaire	Length	50 mm	Width	220 mm	Height	40 mm	
Rectangular Luminous Area	Length	34 mm	Width	34 mm	Height	0 mm	
Horizontal Luminous Area	0.001156 m2	Emitting area on Plane 180°	0.000000 m2	Emitting area on Plane 270°	0.000000 m2	Glare area at 76°	0.000280 m2
Coordinate system	CG	Symmetry Type	Sym. on planes 270-90	Date	17-09-2015	Maximum Gamma Angle	90
Measurement Distance	6.44	Measurement Flux	262.50 lm	Operator	Asselum T2	Source voltage	230.00 V
Temperature	25.00 °C	Source current		Humidity	42.00 %	Photocell	Prc
Notes							

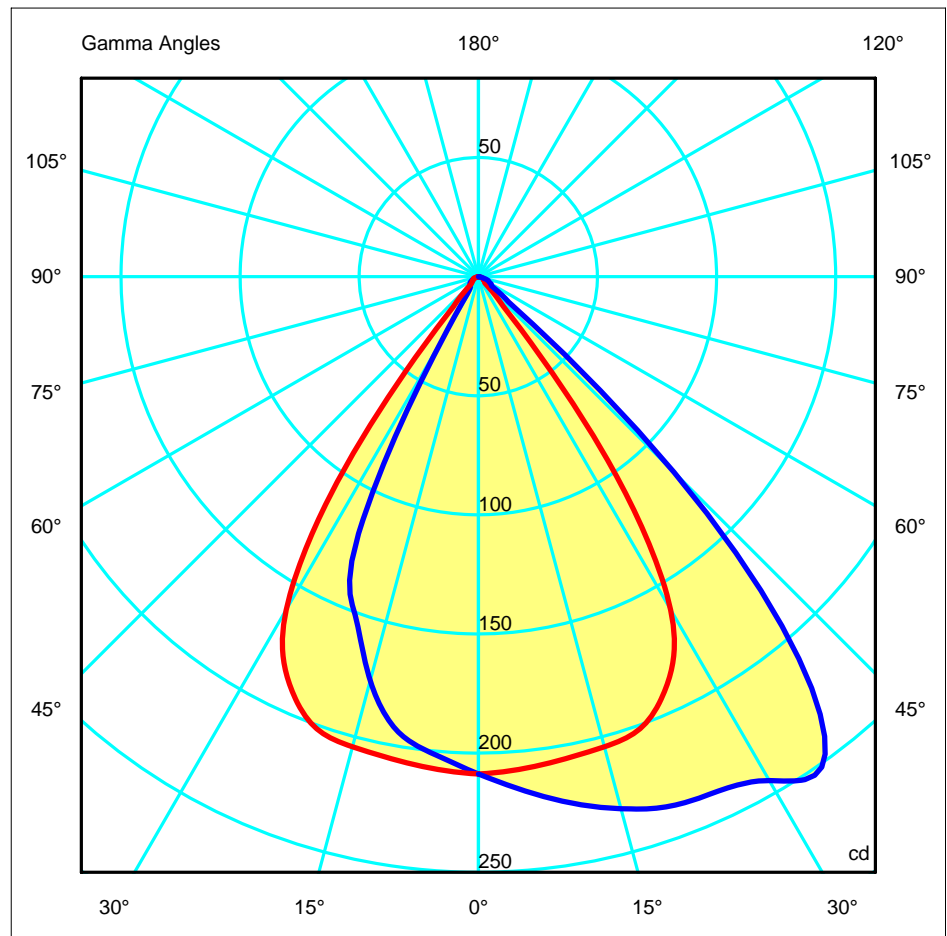
Line	Code	Luminaire Lamps	Flux [lm]	Pow. [W]	Q.ty
- LEDS C4 LEDS	05-5078-21-21	Name Lámpara led 4.5W SAMSUNG	262.50	4.00	1
C.I.E.	90 98 100 100 100	D DIN 5040	A60		
F UTE	1.00 A	B NBN	BZ 1		

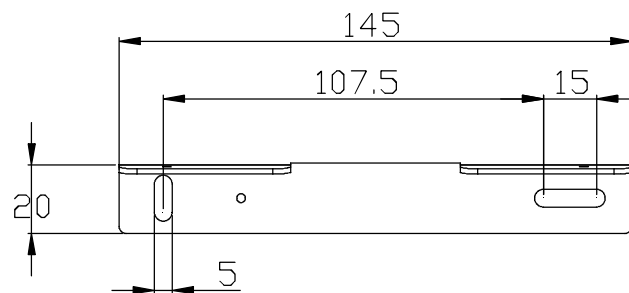
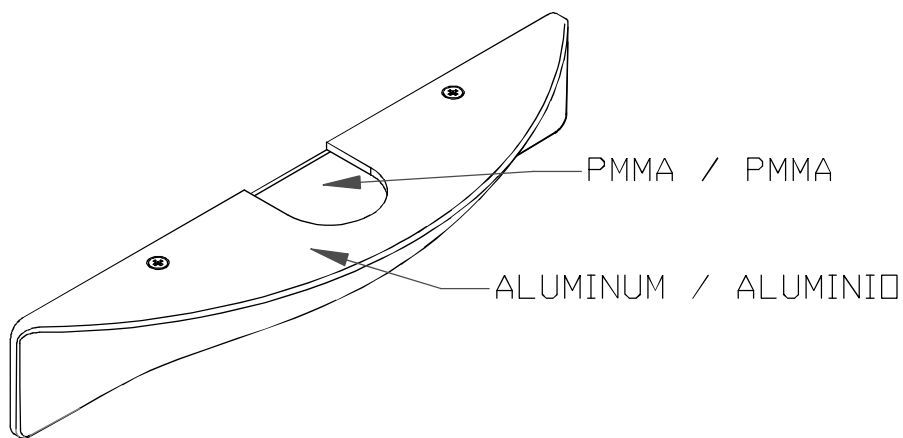
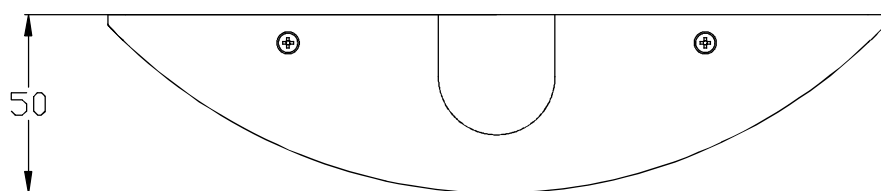
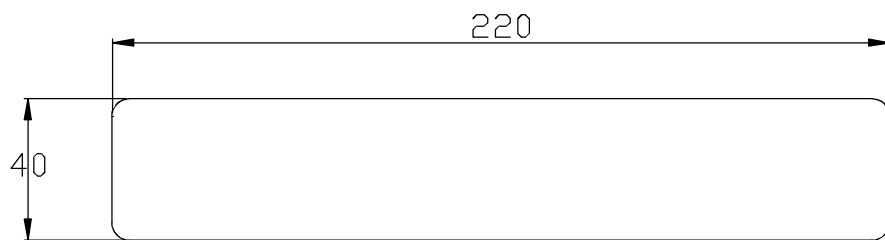
50mm x 220mm



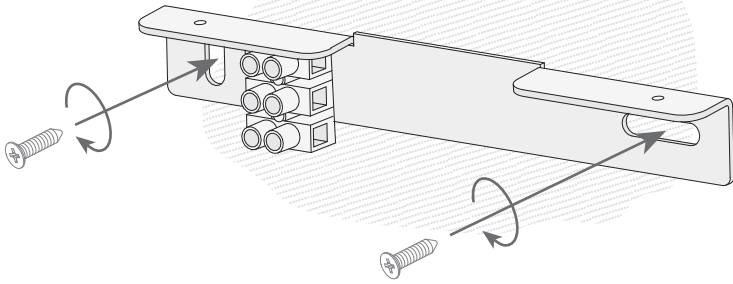
C Halfplanes  
 270.0 ————  
 180.0 ———— 0.0  
 ———— 90.0

ULOR 0.00 %  
 DLOR 100.00 %  
 RN 0.00 %

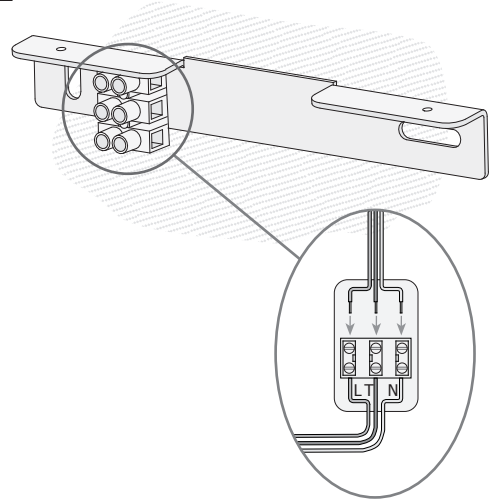




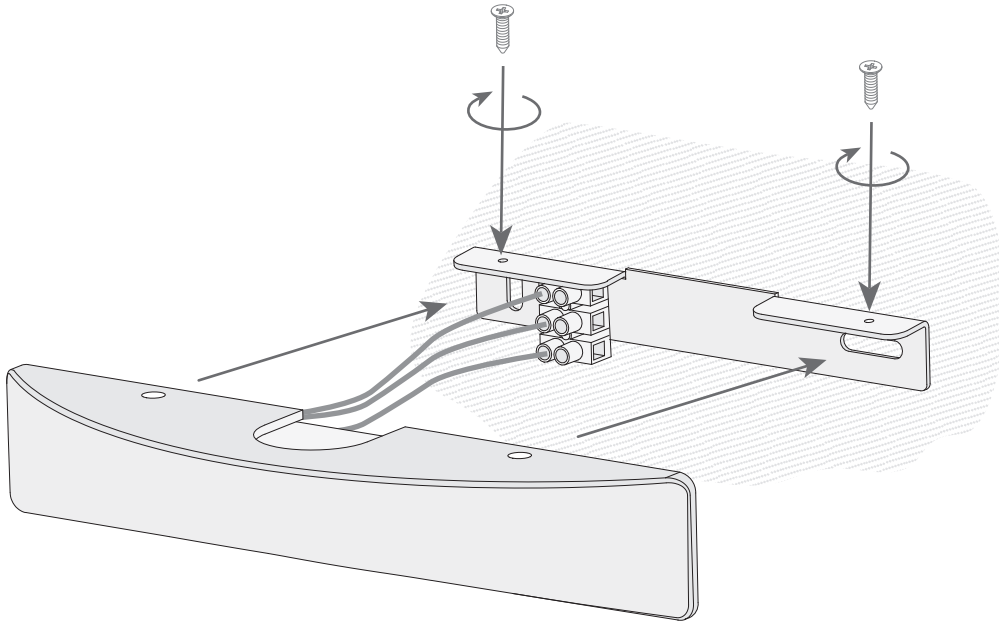
1



2



3



4

