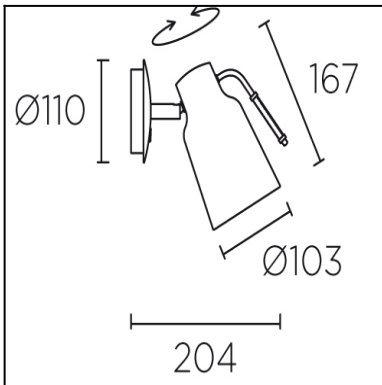
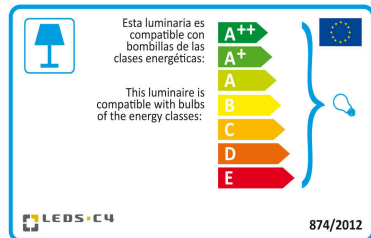




The photograph may not match the reference exactly. Please read the product description to identify the finish.



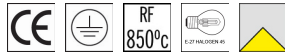
[Download photometric file .ldt / .ies](#)



[Click on image to download energy label](#)

TECHNICAL CHARACTERISTICS

Type:	Wall fixture
Adjustable:	Adjustable 355° on the horizontal axis. Adjustable ±90° on the horizontal axis.
IP Protection degrees:	IP20
Light source 1:	1 x E27 MAX 60W Maximum lamp length: 125.00 mm Maximum lamp diameter: 80.00 mm
Total power consumption (W):	60
Voltage / Frequency:	220-240V/50-60Hz
Warranty (Years):	2
Units per box:	6
Net Weight (Kg):	0.49
EAN:	8435381421182



MATERIALS / FINISHES

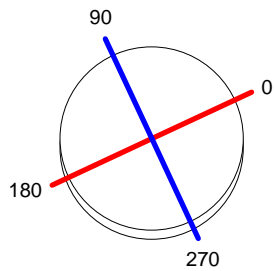
Structure material: Steel

Structure finish: Dark brown

Luminaire		Measur.		Lamp	
Code	05-4755-CI-23	Code	05-4755-CI-23	Code	SOFTONE 60W E27
Name	Aplique FUNK 60W A55 E27	Name	Aplique FUNK 60W A55 E27	Number	1
Line	- LEDS-C4	Date	10-04-2015	Position	Universal
Efficiency	18.82%	Coordinate system	CG	Total Flux	630.00 lm
Maximum value	49.24 cd	Position	C=45.00 G=35.00	Double Symmetrical	
Round Luminaire	Diam.	100 mm	Height	200 mm	
Round Luminous Area	Diam.	95 mm	Height	0 mm	
Horizontal Luminous Area	0.007088 m2	Emitting area on Plane 180°	0.000000 m2	Emitting area on Plane 270°	0.000000 m2
Emitting area on Plane 0°	0.000000 m2	Glare area at 76°	0.001715 m2		
Emitting area on Plane 90°	0.000000 m2				
Symmetry Type	Double Symmetrical	Maximum Gamma Angle	90	Measurement Flux	524.13 lm
Measurement Distance	6.44				
Operator	Asselum T2	Source voltage	230.00 V		
Temperature	20.00 °C	Source current			
Humidity	46.00 %	Photocell	Prc		
Notes					

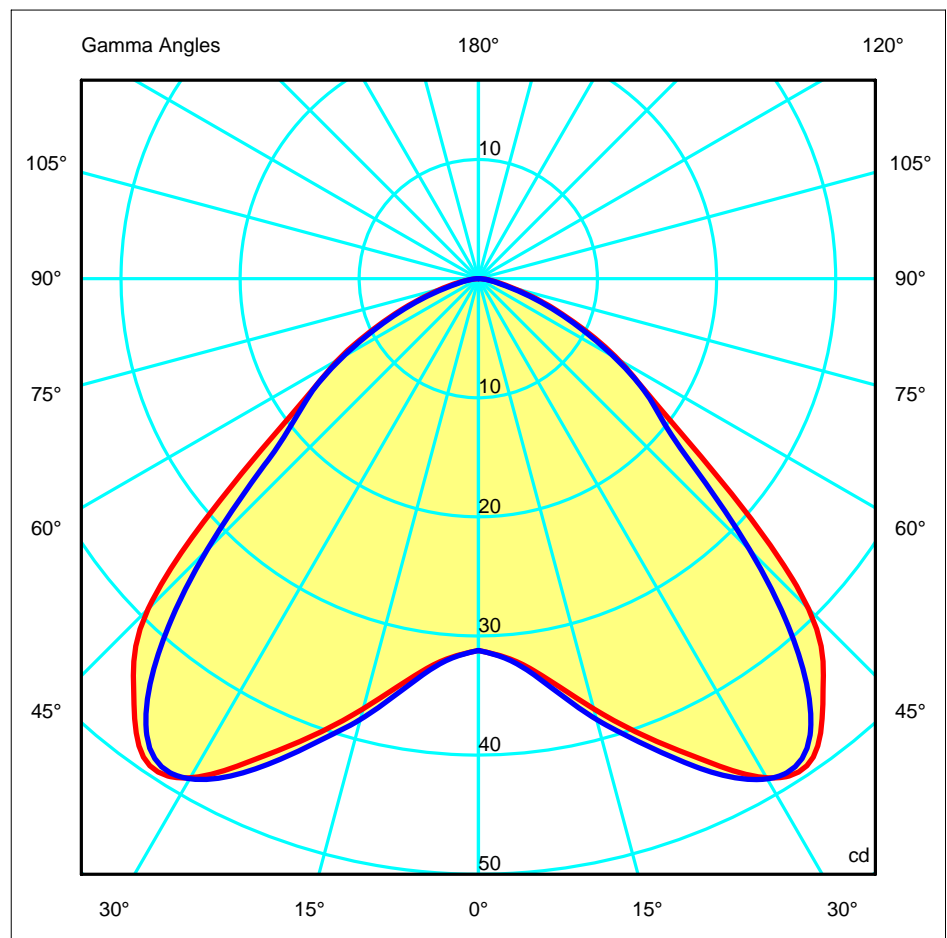
Luminaire Lamps					
Line	Code	Name	Flux [lm]	Pow. [W]	Q.ty
PHILIPS 2005 ILCOS IA,IB,IC	SOFTONE 60W E27	SOFTONE 60W E27 230V	630.00	60.00	1
C.I.E.	58 89 99 100 19	D DIN 5040	A40		
F UTE	0.19 D	B NBN	BZ 4 / 0.6 / BZ 3		

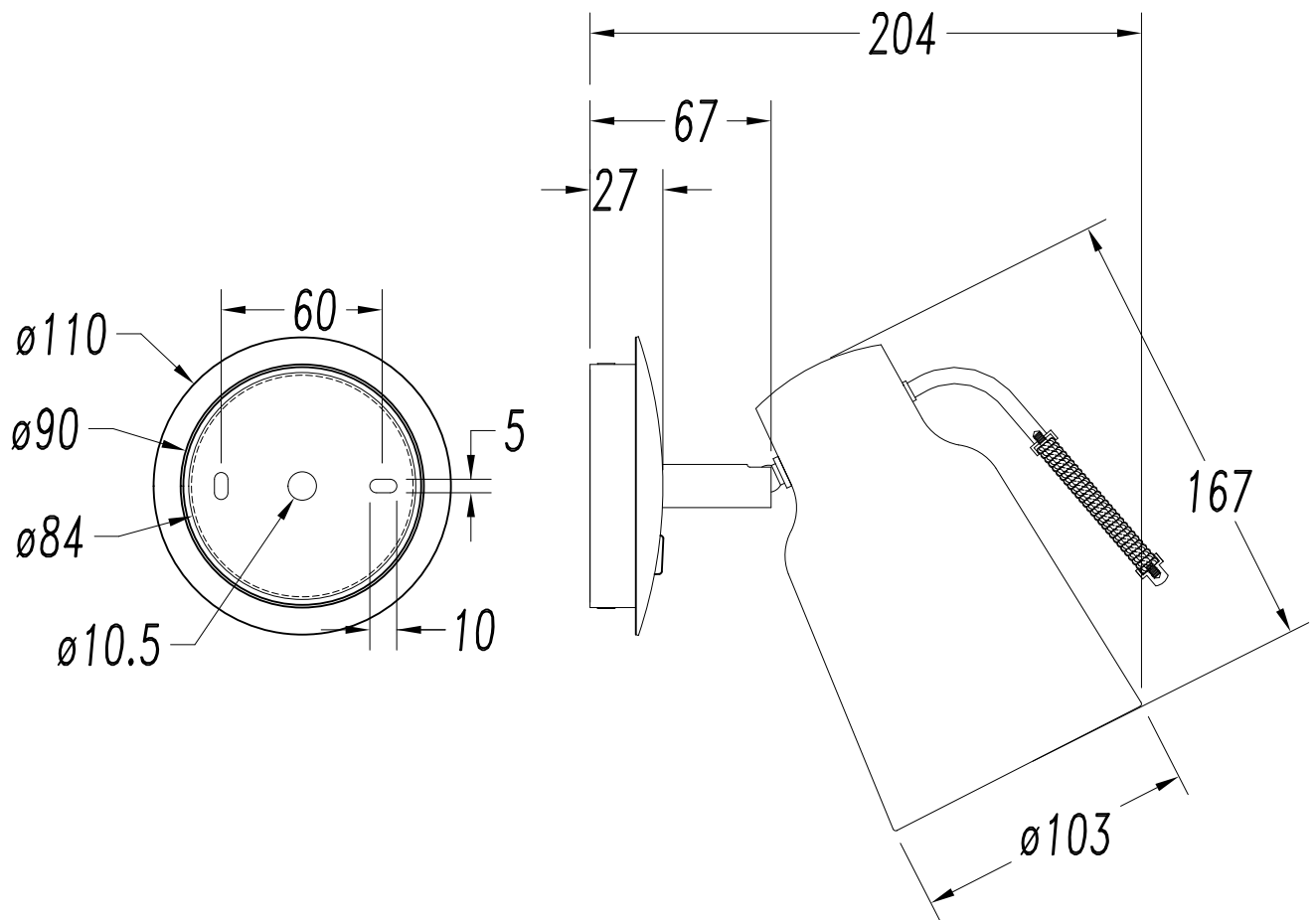
Diam=100mm



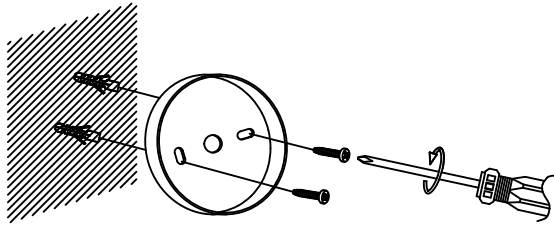
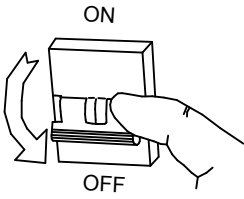
C Halfplanes
 180.0 — 0.0
 270.0 — 90.0

ULOR 0.00 %
 DLOR 18.82 %
 RN 0.00 %

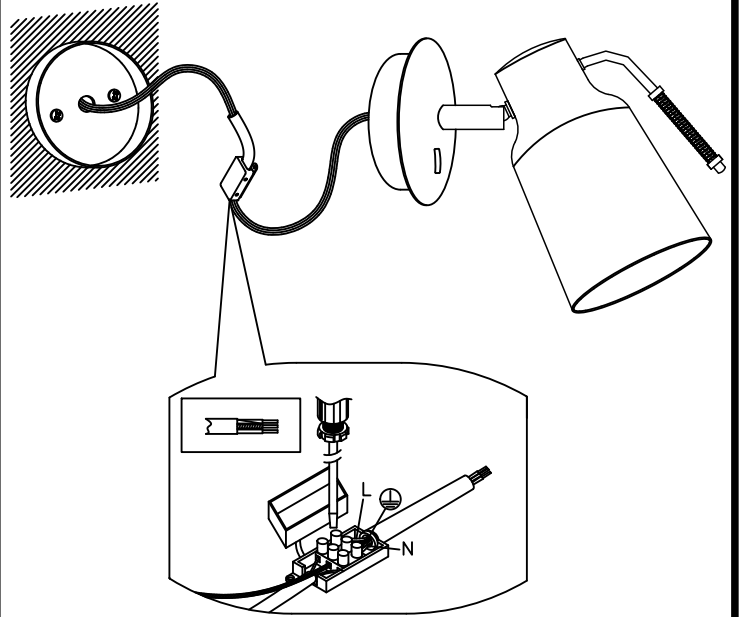




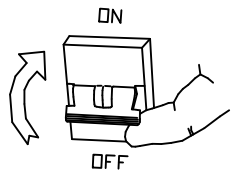
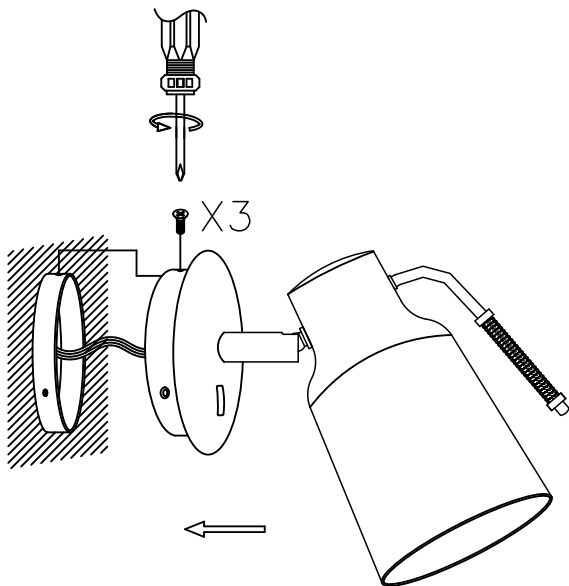
1



2



3



4

