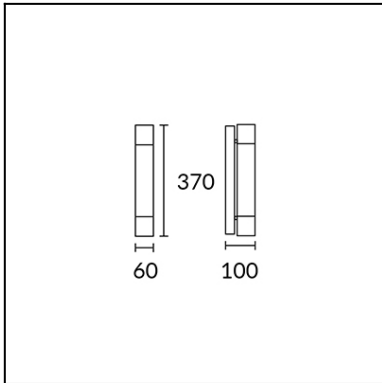
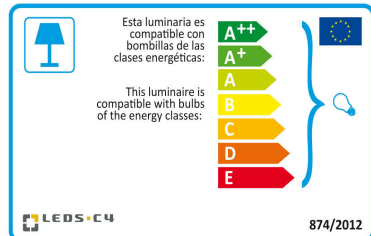




The photograph may not match the reference exactly. Please read the product description to identify the finish.



[Download photometric file .ldt /.ies](#)



[Click on image to download energy label](#)

### TECHNICAL CHARACTERISTICS

Type:	Wall fixture
IP Protection degrees:	IP44
Light source 1: Bulb specified at the product label	1 x 2G11 18W
Voltage / Frequency:	230V/50-60Hz
Warranty:	2
Units per box:	6
Net Weight (Kg):	0.990
EAN Code:	8435111081013



### MATERIALS / FINISHES

<b>Structure material:</b> Steel	<b>Diffuser material:</b> Polycarbonate
<b>Structure finish:</b> Chrome	<b>Diffuser finish:</b> Opal

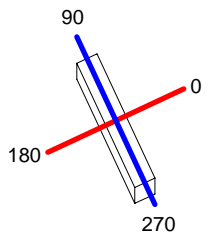
### GEAR

Gear included: Yes, electronic

<b>Luminaire</b>		<b>Measur.</b>		<b>Lamp</b>		
Code	05-4385-21-M1	Code	05-4385-21-M1	Code	PL-L18W/830/4P	
Name	Aplique 1x18W PL-L 2G11	Name	Aplique 1x18W 2G11	Number	1	
Line	- LEDS-C4	Date	28-08-2013	Position	Univesal	
Efficiency	54.67%	Coordinate system	CG	Total Flux	1200.00 lm	
Maximum value	103.91 cd	Position	C=0.00 G=45.00	Double Symmetrical		
Rectangular Luminaire	Length	370 mm	Width	60 mm	Height	100 mm
Rectangular Luminous Area	Length	250 mm	Width	60 mm	Height	60 mm
Horizontal Luminous Area	0.015000 m2	Emitting area on Plane 180°		0.015000 m2		
Emitting area on Plane 0°	0.015000 m2	Emitting area on Plane 270°		0.003600 m2		
Emitting area on Plane 90°	0.003600 m2	Glare area at 76°		0.018183 m2		
Symmetry Type	Double Symmetrical	Maximum Gamma Angle	180			
Measurement Distance	6.44	Measurement Flux	1200.00 lm			
Operator	Asselum	Source voltage	230.00 V			
Temperature	22.00 °C	Source current	PRC			
Humidity	50.00 %	Photocell				
Notes						

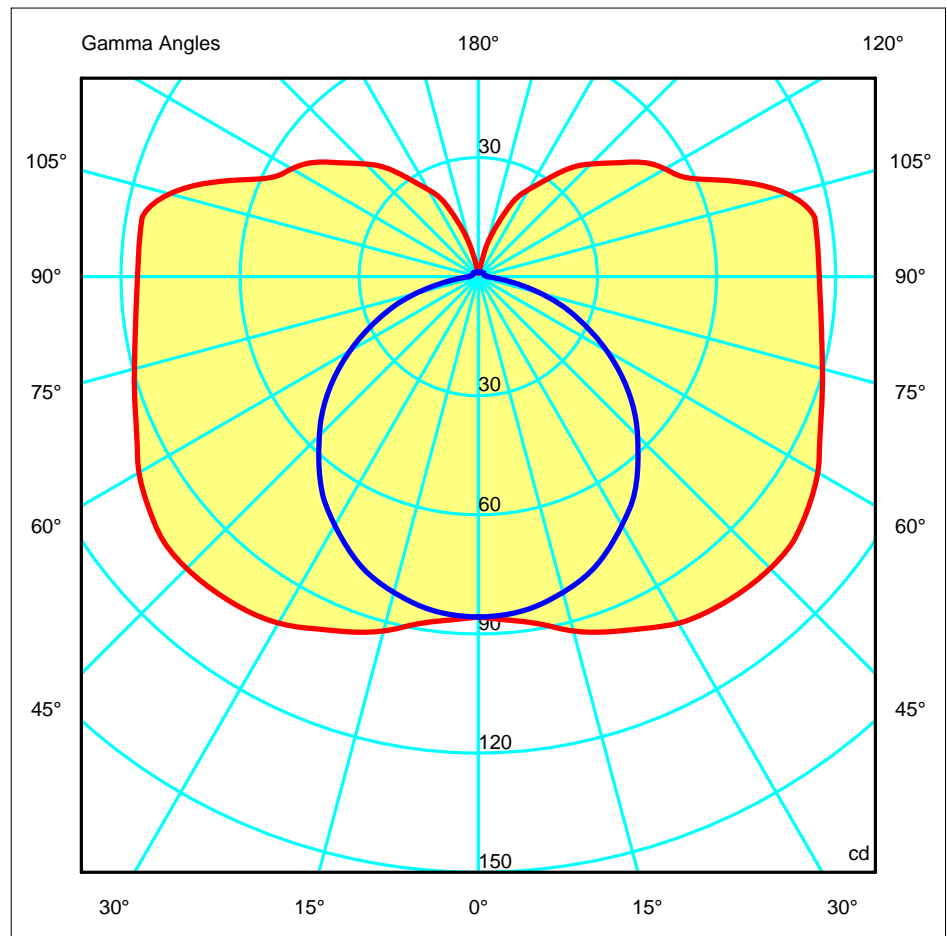
Luminaire Lamps					
Line	Code	Name	Flux [lm]	Pow. [W]	Q.ty
PHILIPS 2005 ILCOS FBT,G,C,FSQ	PL-L18W/830/4P	MASTER PL-L 18W/830/4P 2G11	1200.00	18.00	1
C.I.E.	30 58 81 69 55	D DIN 5040	B11		
F UTE	0.38 H + 0.17 T	B NBN	BZ 7		

370mm x 60mm



C Halfplanes  
 180.0 — 0.0  
 270.0 — 90.0

ULOR 16.93 %  
 DLOR 37.73 %  
 RN 30.98 %

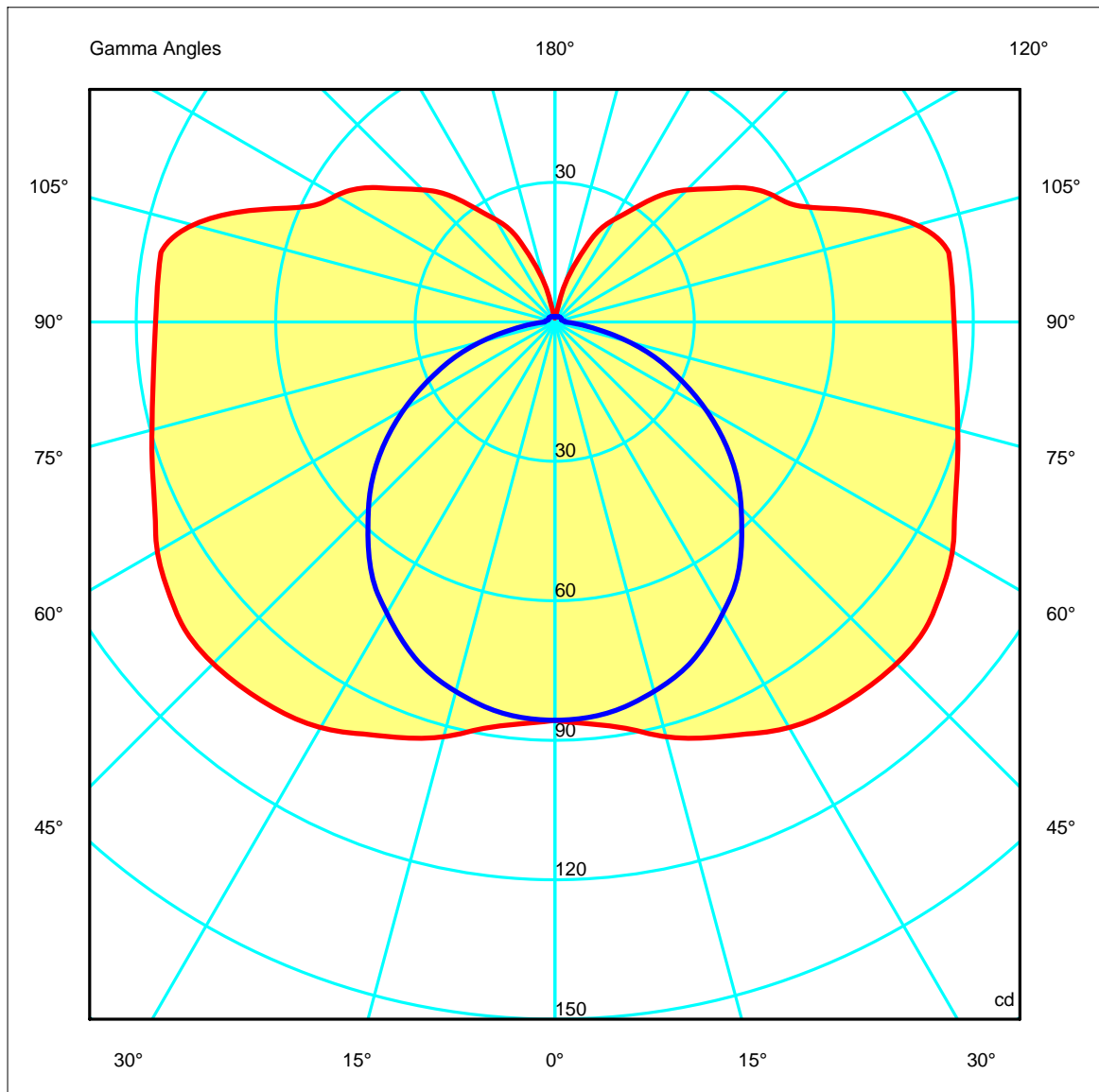
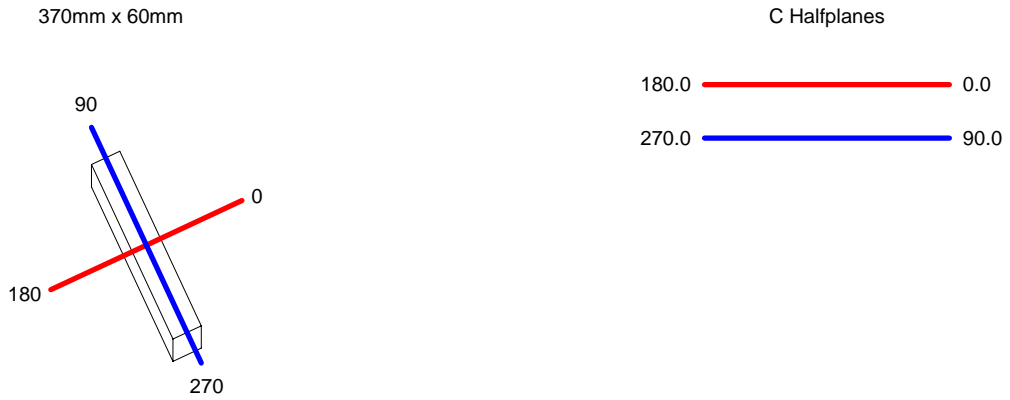


<b>Luminaire</b>		<b>Measur.</b>		<b>Lamp</b>	
Code	05-4385-21-M1	Code	05-4385-21-M1	Code	PL-L18W/830/4P
Name	Aplique 1x18W PL-L 2G11	Name	Aplique 1x18W 2G11	Number	1
Line	- LEDS-C4	Date	28-08-2013	Position	Univesal

Efficiency	54.67%	Coordinate system	CG	Total Flux	1200.00 lm
------------	--------	-------------------	----	------------	------------

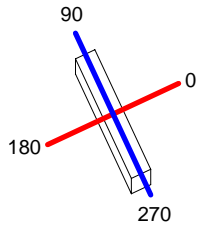
		Luminous Intensity Table cd				Table 1/1		
		C 0.00	C 15.00	C 30.00	C 45.00	C 60.00	C 75.00	C 90.00
G 0.0	85.70	85.70	85.70	85.70	85.70	85.70	85.70	85.70
G 5.0	86.79	86.83	86.58	86.20	85.70	85.43	85.35	
G 10.0	88.81	89.40	88.75	87.29	85.87	84.57	84.23	
G 15.0	92.37	92.40	90.70	88.32	85.73	83.25	82.29	
G 20.0	95.19	95.09	92.77	89.25	85.21	81.55	79.94	
G 25.0	97.78	97.53	94.33	89.57	84.11	78.90	76.46	
G 30.0	100.77	99.57	95.59	89.53	82.54	75.81	72.28	
G 35.0	102.40	100.91	96.25	88.93	80.59	72.56	68.03	
G 40.0	103.41	101.49	96.16	87.92	78.03	68.54	62.42	
G 45.0	103.91	101.38	95.47	86.37	74.92	63.55	56.67	
G 50.0	103.55	100.46	94.07	83.70	71.50	58.52	50.92	
G 55.0	101.40	97.95	91.78	80.94	67.57	53.17	44.22	
G 60.0	98.71	94.88	88.07	77.67	62.86	47.17	37.43	
G 65.0	94.92	91.35	84.30	73.40	58.17	41.31	30.16	
G 70.0	92.10	88.34	80.47	68.26	52.89	35.44	23.56	
G 75.0	89.68	86.02	77.21	64.38	47.39	29.09	16.40	
G 80.0	87.81	84.29	75.37	61.45	43.05	23.77	9.43	
G 85.0	86.51	83.13	74.03	59.24	40.40	19.76	4.81	
G 90.0	85.81	82.47	73.37	58.43	39.02	17.02	2.15	
G 95.0	85.79	82.48	73.38	58.46	39.05	16.67	2.11	
G100.0	85.99	80.86	73.44	58.65	38.95	16.06	1.72	
G105.0	80.54	72.61	69.27	56.37	36.43	14.90	1.53	
G110.0	69.98	60.20	59.79	51.32	33.26	13.86	1.49	
G115.0	58.73	51.44	49.96	43.92	29.66	12.79	1.51	
G120.0	54.31	46.85	43.09	37.28	25.76	11.50	1.54	
G125.0	50.23	43.51	37.43	31.86	21.75	9.95	1.51	
G130.0	44.60	39.13	33.38	27.20	18.34	8.61	1.49	
G135.0	40.19	35.33	29.69	22.94	15.54	7.34	1.46	
G140.0	35.61	31.37	26.05	20.12	13.03	6.09	1.41	
G145.0	29.84	26.58	22.76	17.54	10.55	4.90	1.39	
G150.0	25.39	22.66	18.98	13.50	8.05	3.87	1.33	
G155.0	21.01	18.07	14.75	9.43	5.71	2.90	1.29	
G160.0	14.00	11.16	8.09	6.06	3.91	2.20	1.19	
G165.0	8.37	5.70	4.12	3.50	2.73	1.67	1.13	
G170.0	1.56	2.25	2.28	2.23	1.69	1.34	1.13	
G175.0	0.88	0.97	1.12	1.36	1.16	1.18	1.13	
G180.0	0.89	0.89	0.95	1.01	1.07	1.12	1.15	

<b>Luminaire</b>		<b>Measur.</b>		<b>Lamp</b>	
Code	05-4385-21-M1	Code	05-4385-21-M1	Code	PL-L18W/830/4P
Name	Aplique 1x18W PL-L 2G11	Name	Aplique 1x18W 2G11	Number	1
Line	- LEDS-C4	Date	28-08-2013	Position	Univesal
Efficiency	54.67%	Coordinate system	CG	Total Flux	1200.00 lm



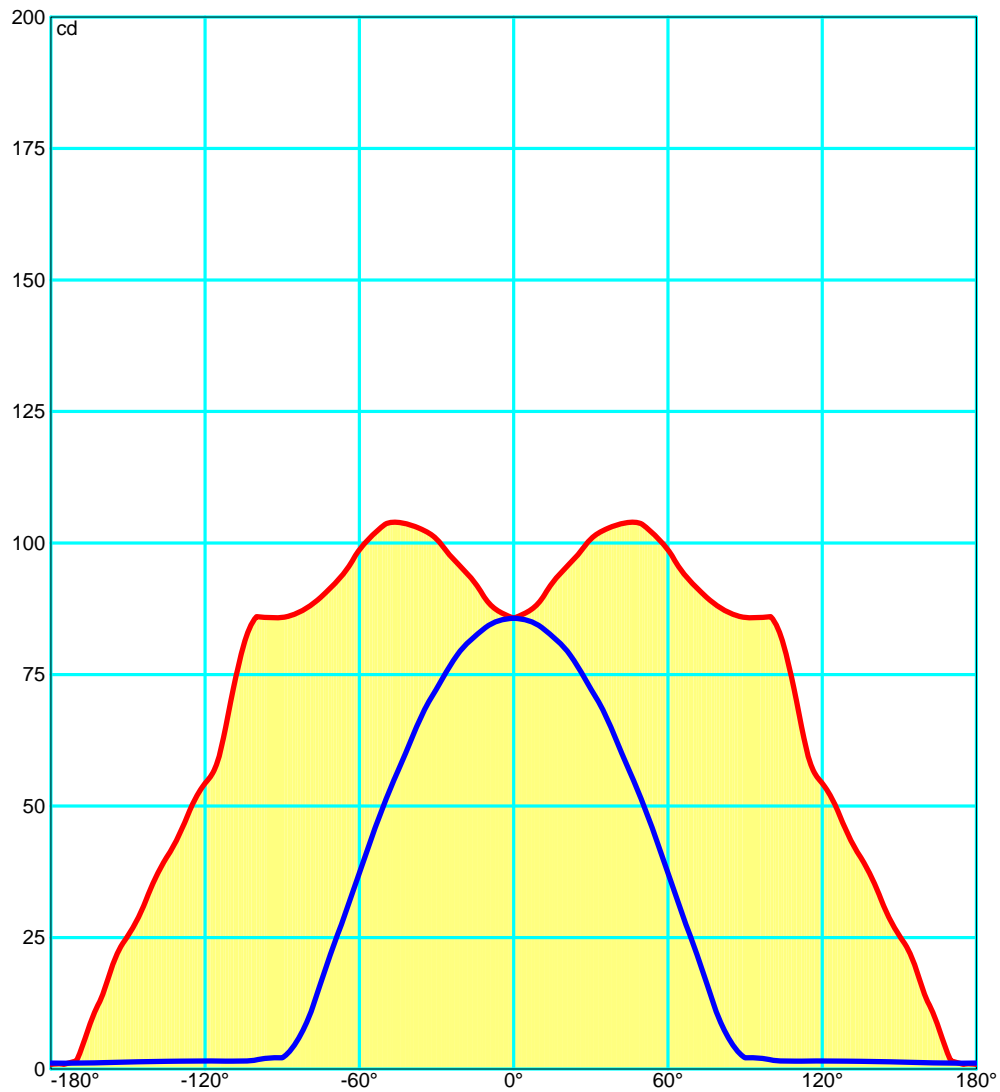
<b>Luminaire</b>		<b>Measur.</b>		<b>Lamp</b>	
Code	05-4385-21-M1	Code	05-4385-21-M1	Code	PL-L18W/830/4P
Name	Aplique 1x18W PL-L 2G11	Name	Aplique 1x18W 2G11	Number	1
Line	- LEDS-C4	Date	28-08-2013	Position	Univesal
Efficiency	54.67%	Coordinate system	CG	Total Flux	1200.00 lm

370mm x 60mm



C Halfplanes

180.0 ——— 0.0  
270.0 ——— 90.0



<b>Luminaire</b>		<b>Measur.</b>		<b>Lamp</b>	
Code	05-4385-21-M1	Code	05-4385-21-M1	Code	PL-L18W/830/4P
Name	Aplique 1x18W PL-L 2G11	Name	Aplique 1x18W 2G11	Number	1
Line	- LEDS-C4	Date	28-08-2013	Position	Univesal
Efficiency	54.67%	Coordinate system	CG	Total Flux	1200.00 lm

**UGR**  
S = 0.250

Reflectancies										
Ceiling/Cavity	0.7	0.7	0.5	0.5	0.3	0.7	0.7	0.5	0.5	0.3
Walls	0.5	0.3	0.5	0.3	0.3	0.5	0.3	0.5	0.3	0.3
WorkingPlane	0.2	0.2	0.2	0.2	0.2	0.2	0.2	0.2	0.2	0.2
RoomDimensions	ViewedCrosswise					ViewedEndwise				
x=2H y=2H	16.5	17.6	17.2	18.3	16.6	13.9	15.0	14.6	15.7	16.6
x=2H y=3H	18.9	20.0	19.6	20.7	18.0	15.3	16.3	16.0	17.1	18.0
x=2H y=4H	20.2	21.2	20.9	21.9	18.4	15.8	16.8	16.6	17.6	18.4
x=2H y=6H	21.5	22.4	22.3	23.2	18.8	16.2	17.1	16.9	17.8	18.8
x=2H y=8H	22.2	23.0	22.9	23.8	18.8	16.3	17.1	17.0	17.9	18.8
x=2H y=12H	22.8	23.6	23.6	24.4	18.9	16.3	17.1	17.1	17.9	18.9
x=4H y=2H	17.1	18.0	17.8	18.8	17.9	15.3	16.3	16.0	17.0	17.9
x=4H y=3H	19.7	20.6	20.5	21.4	19.6	17.0	17.8	17.8	18.6	19.6
x=4H y=4H	21.2	21.9	22.0	22.7	20.2	17.7	18.4	18.5	19.2	20.2
x=4H y=6H	22.7	23.4	23.5	24.2	20.7	18.2	18.9	19.0	19.7	20.7
x=4H y=8H	23.4	24.1	24.3	24.9	20.8	18.3	19.0	19.2	19.8	20.8
x=4H y=12H	24.2	24.8	25.1	25.6	20.9	18.5	19.0	19.3	19.9	20.9
x=8H y=4H	21.5	22.1	22.3	23.0	21.2	18.8	19.4	19.6	20.2	21.2
x=8H y=6H	23.3	23.8	24.1	24.7	22.1	19.6	20.1	20.5	21.0	22.1
x=8H y=8H	24.2	24.7	25.1	25.5	22.4	20.0	20.4	20.8	21.3	22.4
x=8H y=12H	25.2	25.6	26.0	26.5	22.6	20.2	20.6	21.1	21.5	22.6
x=12H y=4H	21.5	22.1	22.4	23.0	21.5	19.0	19.6	19.9	20.5	21.5
x=12H y=6H	23.4	23.8	24.2	24.7	22.5	20.1	20.6	21.0	21.4	22.5
x=12H y=8H	24.4	24.8	25.3	25.7	23.0	20.6	21.0	21.5	21.9	23.0

<b>Luminaire</b>		<b>Measur.</b>		<b>Lamp</b>	
Code	05-4385-21-M1	Code	05-4385-21-M1	Code	PL-L18W/830/4P
Name	Aplique 1x18W PL-L 2G11	Name	Aplique 1x18W 2G11	Number	1
Line	- LEDS-C4	Date	28-08-2013	Position	Univesal
Efficiency	54.67%	Coordinate system	CG	Total Flux	1200.00 lm

Total Flux=1200.00 Luminaire Flux=655.99

RI	0.60	0.80	1.00	1.25	1.50	2.00	2.50	3.00	4.00	5.00	10.00	20.00
DRR	0.19	0.26	0.32	0.38	0.43	0.52	0.58	0.62	0.69	0.73	0.83	0.90
RC	8	8	8	8	8	8	8	8	8	8	8	8

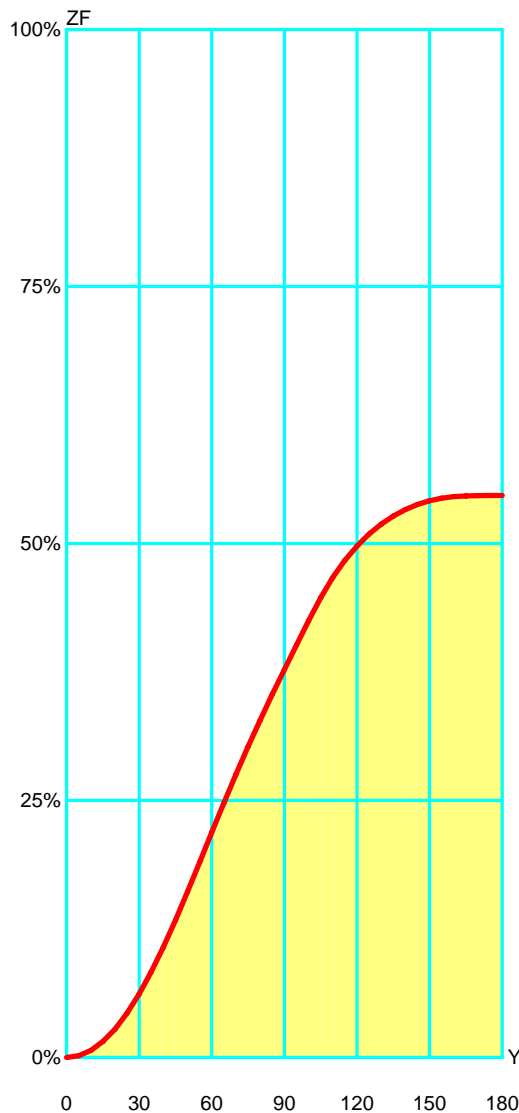
Zonal Flux per 1000 Lumen

Y°	10	20	30	40	50	60	70	80	90	100	110	120	130	140	150	160	170	180
ZF(Y)	7	28	62	107	161	219	276	328	377	425	467	497	519	533	542	546	547	547

CIE Flux Codes

30 58 81 69 55

C.I.E.	8	LOR	54.66544 %
D DIN 5040	B11	ULOR	16.93397 %
F UTE	0.38 H + 0.17 T	DLOR	37.73146 %
B NBN	BZ 7	UFF	30.97748 %
RN	30.97748 %	DFF	69.02252 %
BLF	1.0	FFR	44.88025 %



Zonal Flux				
Gamma °	Flux	Sum lm	Flux [%]	Sum [%]
0°	0.00	0.00	0.00%	0.00%
5°	1.71	1.71	0.31%	0.31%
10°	5.16	6.88	0.94%	1.26%
15°	8.65	15.53	1.58%	2.84%
20°	12.12	27.65	2.22%	5.06%
25°	15.48	43.14	2.83%	7.89%
30°	18.65	61.79	3.41%	11.30%
35°	21.56	83.34	3.94%	15.25%
40°	24.09	107.43	4.41%	19.65%
45°	26.15	133.59	4.78%	24.44%
50°	27.71	161.30	5.07%	29.51%
55°	28.68	189.98	5.25%	34.75%
60°	28.99	218.97	5.30%	40.06%
65°	28.69	247.66	5.25%	45.30%
70°	27.93	275.59	5.11%	50.41%
75°	26.88	302.47	4.92%	55.33%
80°	25.78	328.25	4.72%	60.05%
85°	24.86	353.11	4.55%	64.59%
90°	24.21	377.31	4.43%	69.02%
95°	23.89	401.21	4.37%	73.39%
100°	23.62	424.83	4.32%	77.71%
105°	22.39	447.21	4.10%	81.81%
110°	19.78	466.99	3.62%	85.43%
115°	16.60	483.59	3.04%	88.46%
120°	13.85	497.45	2.53%	91.00%
125°	11.65	509.09	2.13%	93.13%
130°	9.67	518.76	1.77%	94.90%
135°	7.90	526.65	1.44%	96.34%
140°	6.35	533.00	1.16%	97.50%
145°	4.94	537.94	0.90%	98.41%
150°	3.65	541.59	0.67%	99.07%
155°	2.50	544.09	0.46%	99.53%
160°	1.47	545.56	0.27%	99.80%
165°	0.70	546.27	0.13%	99.93%
170°	0.28	546.54	0.05%	99.98%
175°	0.09	546.63	0.02%	100.00%
180°	0.02	546.65	0.00%	100.00%

---

<b>Luminaire</b>		<b>Measur.</b>		<b>Lamp</b>	
Code	05-4385-21-M1	Code	05-4385-21-M1	Code	PL-L18W/830/4P
Name	Aplique 1x18W PL-L 2G11	Name	Aplique 1x18W 2G11	Number	1
Line	- LEDS-C4	Date	28-08-2013	Position	Univesal

---

Efficiency	54.67%	Coordinate system	CG	Total Flux	1200.00 lm
------------	--------	-------------------	----	------------	------------

---

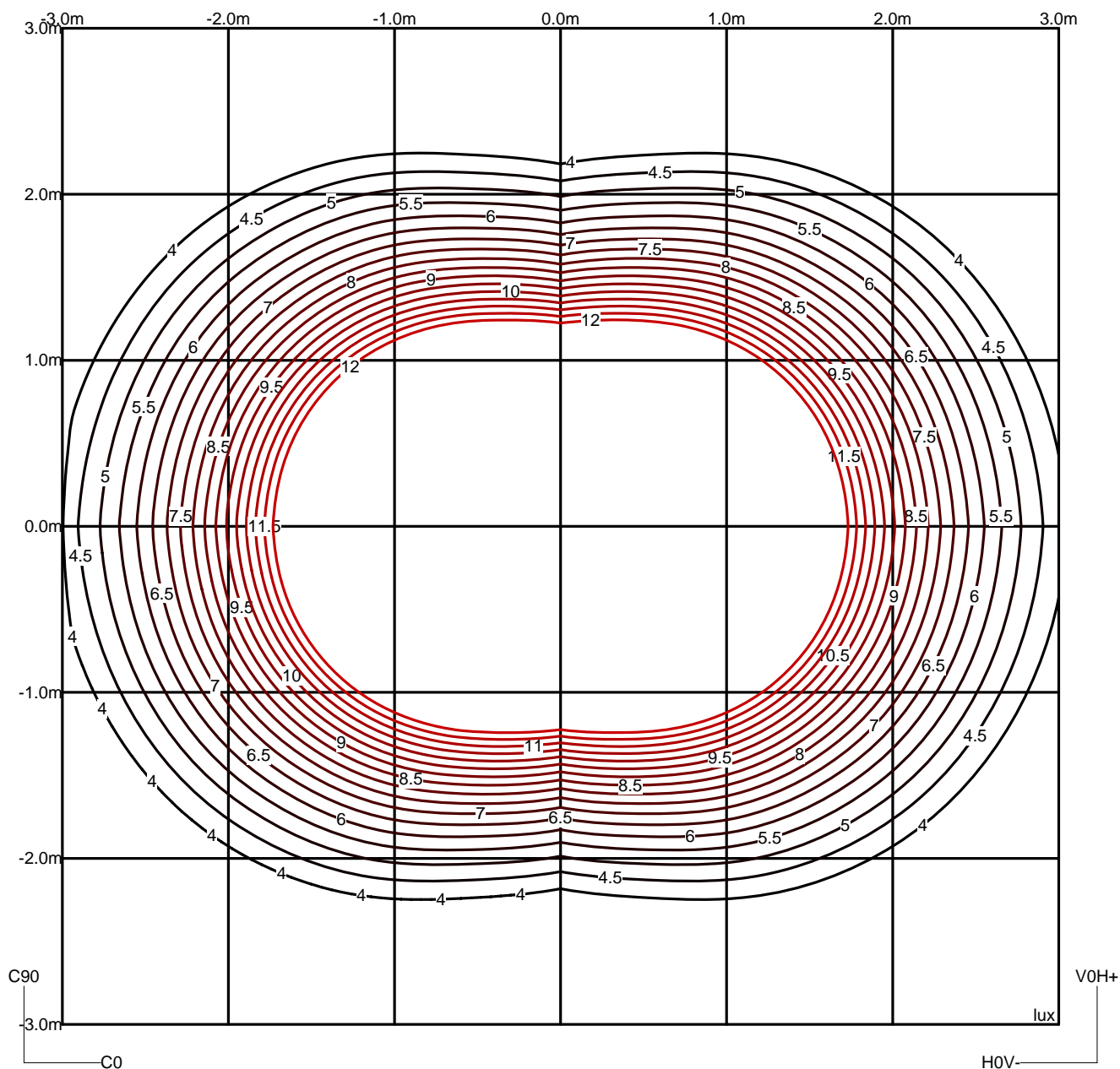
Right beam angle not found, gamma = 47



<b>Luminaire</b>		<b>Measuram.</b>		<b>Lamp</b>	
Code	05-4385-21-M1	Code	05-4385-21-M1	Code	PL-L18W/830/4P
Name	Aplique 1x18W PL-L 2G11	Name	Aplique 1x18W 2G11	Number	1
Line	- LEDS-C4	Date	28-08-2013	Position	Univesal
Efficiency	54.67%	Coordinate system	CG	Total Flux	1200.00 lm

Isolux (Floor)

Luminaire position X=0.00m Y=0.00m Z=1.80m



<b>Luminaire</b>	<b>Measur.</b>	<b>Lamp</b>
Code 05-4385-21-M1	Code 05-4385-21-M1	Code PL-L18W/830/4P
Name Applique 1x18W PL-L 2G11	Name Applique 1x18W 2G11	Number 1
Line - LEDS-C4	Date 28-08-2013	Position Univesal

Efficiency	54.67%	Coordinate system	CG	Total Flux	1200.00 lm
------------	--------	-------------------	----	------------	------------

Utilizations CIE

Mounting	Direct	Normalization										Suspension Ratio					Standard CIE Settings						
		Normalised	Normalised	Normalised	Normalised	Normalised	Normalised	Normalised	Normalised	Normalised	Normalised	Normalised	Normalised	Normalised	Normalised	Normalised	Normalised	Normalised	Normalised	Normalised	Normalised	Normalised	Normalised
Ceiling																							
K	8873	8773	8871	8771	7773	7771	7753	7553	7751	7551	7731	7331	7711	7111	5551	5531	5331	5511	5111	3331	3311	1111	0000
0.60	238	213	218	197	203	188	166	141	157	134	136	102	121	82	125	110	97	98	78	92	83	72	64
0.80	266	244	236	218	232	208	190	167	175	154	151	120	134	98	144	126	114	112	93	108	97	85	75
1.00	285	265	246	230	252	220	209	187	187	168	163	134	143	110	158	138	127	123	105	121	108	96	85
1.25	302	285	252	239	271	229	228	207	197	180	172	147	153	122	170	150	139	134	117	133	119	108	94
1.50	314	298	255	244	284	234	242	222	204	189	180	156	160	132	178	159	149	142	127	142	128	117	102
2.00	329	316	256	247	302	239	262	246	212	200	189	170	170	147	189	171	163	155	141	156	142	131	113
2.50	339	328	255	248	313	241	277	262	216	206	196	179	178	157	196	179	172	164	151	165	152	141	121
3.00	345	336	253	248	321	241	287	274	219	211	200	186	183	165	201	185	178	170	159	172	159	149	127
4.00	353	346	251	247	331	240	302	291	222	216	206	194	191	176	207	193	187	180	171	181	170	161	135
5.00	358	352	248	245	337	240	312	302	224	218	209	200	196	183	210	198	193	186	178	187	177	168	141
10.00	367	364	241	239	349	235	333	328	226	223	216	211	208	201	216	208	206	200	196	200	193	186	154
20.00	370	369	235	234	354	231	345	342	225	224	220	217	215	211	218	213	212	208	206	207	202	197	161

Wall

K	8873	8773	8871	8771	7773	7771	7753	7553	7751	7551	7731	7331	7711	7111	5551	5531	5331	5511	5111	3331	3311	1111	0000
0.60	246	233	221	211	226	205	178	166	165	155	139	126	119	106	150	127	123	111	104	120	105	100	91
0.80	287	273	253	242	264	235	215	202	196	185	168	154	147	132	178	154	149	136	129	144	129	123	112
1.00	318	305	275	265	293	256	244	231	219	209	191	177	170	154	199	176	170	157	149	164	148	141	128
1.25	348	336	296	287	321	277	274	261	242	232	215	201	193	177	220	198	192	179	171	184	169	160	146
1.50	371	360	312	304	344	293	298	285	260	251	234	220	213	197	237	216	210	198	189	201	186	176	160
2.00	405	395	334	327	376	315	335	323	287	278	263	250	242	227	262	242	237	225	217	226	211	200	182
2.50	429	420	349	344	399	332	362	351	306	299	284	272	265	251	281	263	258	247	239	245	231	218	199
3.00	448	440	362	357	418	345	383	373	321	315	301	291	283	270	296	279	275	264	257	260	248	233	213
4.00	477	471	383	379	447	366	417	409	346	341	329	320	313	301	321	306	302	293	286	286	275	258	236
5.00	500	495	399	397	469	383	443	436	366	362	350	343	336	326	340	327	324	315	309	306	296	279	255
10.00	566	563	452	450	535	437	518	514	426	423	416	411	406	399	400	391	389	383	379	368	361	341	315
20.00	625	623	503	502	594	489	584	581	482	481	475	473	469	465	456	450	449	445	443	427	422	400	372

Working Pl.

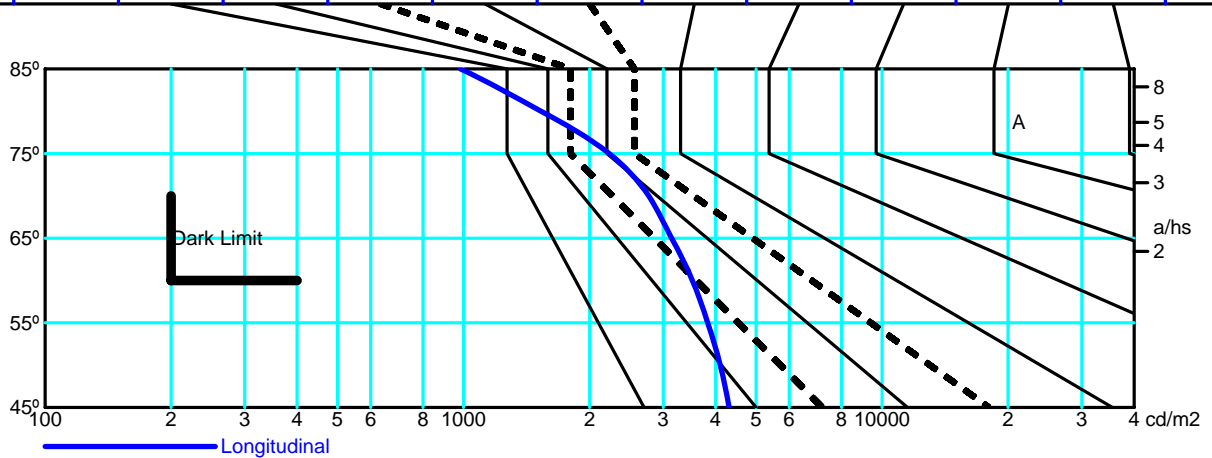
K	8873	8773	8871	8771	7773	7771	7753	7553	7751	7551	7731	7331	7711	7111	5551	5531	5331	5511	5111	3331	3311	1111	0000
0.60	249	235	232	220	226	213	168	157	162	151	128	114	103	90	144	115	110	93	87	106	87	82	72
0.80	303	288	279	266	275	256	214	200	204	192	167	151	140	123	181	150	144	126	118	137	116	109	98
1.00	345	330	315	303	314	290	253	238	239	226	201	184	172	153	211	180	173	155	146	164	143	133	121
1.25	387	372	349	337	352	322	292	276	274	261	236	218	207	186	242	211	204	186	176	192	171	158	144
1.50	419	405	374	364	382	347	324	308	301	288	265	246	235	213	267	237	229	212	200	215	193	178	164
2.00	466	454	411	402	426	383	373	358	342	331	308	290	280	258	304	276	269	253	241	250	230	211	196
2.50	498	487	435	427	456	407	408	393	370	360	339	322	312	292	330	305	298	283	271	275	257	235	218
3.00	522	511	452	445	478	424	434	421	391	382	362	347	337	317	349	326	319	305	294	294	277	253	236
4.00	553	544	474	469	508	446	470	458	419	411	394	380	371	354	375	355	349	336	327	320	305	277	259
5.00	573	565	488	484	527	460	494	484	437	430	415	403	395	379	392	374	369	358	349	338	324	294	275
10.00	617	613	518	516	571	492	550	544	477	474	463	457	450	441	431	420	417	409	403	379	370	334	314
20.00	643	641	536	535	596	510	584	581	502	500	493	490	485	480	455	448	446	441	438	405	400	361	340

LM53 SHR C0-C180: 1.785 SHR C90-C270: 1.250 SHR Square: 1.719

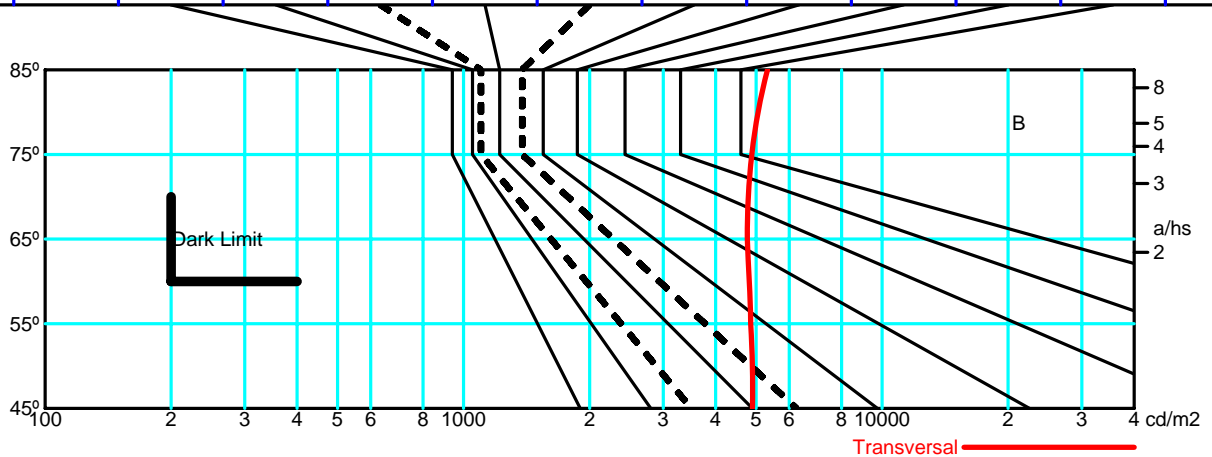
<b>Luminaire</b>		<b>Measur.</b>			<b>Lamp</b>	
Code	05-4385-21-M1	Code	05-4385-21-M1	Code	PL-L18W/830/4P	
Name	Aplique 1x18W PL-L 2G11	Name	Aplique 1x18W 2G11	Number	1	
Line	- LEDS-C4	Date	28-08-2013	Position	Univesal	
Efficiency	54.67%	Coordinate system	CG	Total Flux	1200.00 lm	

		Average Luminance [cd/m <sup>2</sup> ]										
		0.0°	45°	50°	55°	60°	65°	70°	75°	80°	85°	
90.0°		4309	4107	3828	3525	3141	2768	2228	1533	983	---	

Flush mounted or longitudinal view												
		Illumination (lx)										
A	A	2000	1000	750	500	<300						1.15
B	1		2000	1500	1000	750	500	<300				1.5
C					2000		1000	500	<300			1.85
D	2						2000	1000	500	<300		2.2
E	3							2000	1000	500	<300	2.55

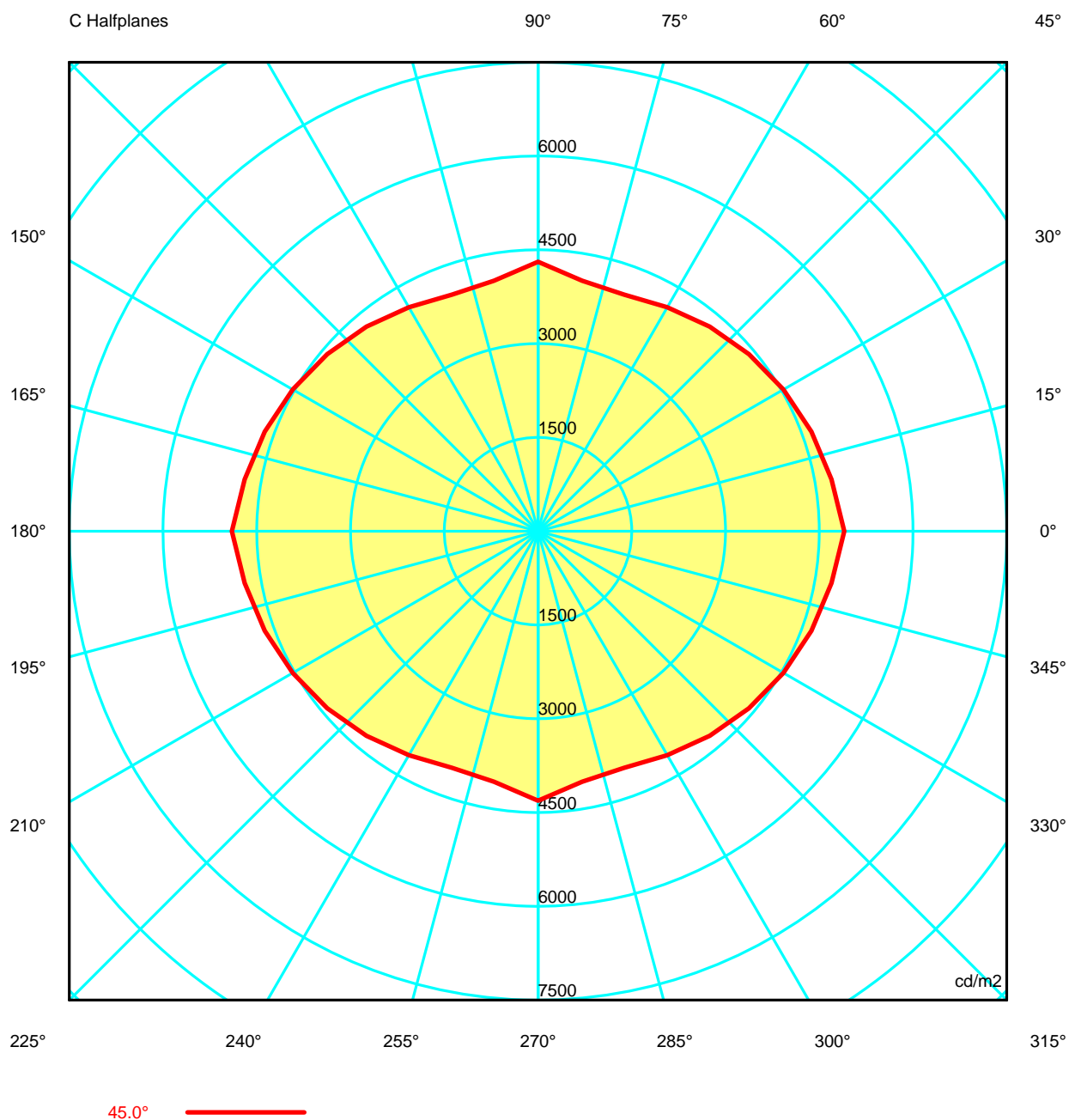


Flush mounted or transversal view												
		Illumination (lx)										
A	A	2000	1000	750	500	<300						1.15
B	1		2000	1500	1000	750	500	<300				1.5
C					2000		1000	500	<300			1.85
D	2						2000	1000	500	<300		2.2
E	3							2000	1000	500	<300	2.55



<b>Luminaire</b>		<b>Measurem.</b>		<b>Lamp</b>	
Code	05-4385-21-M1	Code	05-4385-21-M1	Code	PL-L18W/830/4P
Name	Aplique 1x18W PL-L 2G11	Name	Aplique 1x18W 2G11	Number	1
Line	- LEDS-C4	Date	28-08-2013	Position	Univesal
Efficiency	54.67%	Coordinate system	CG	Total Flux	1200.00 lm

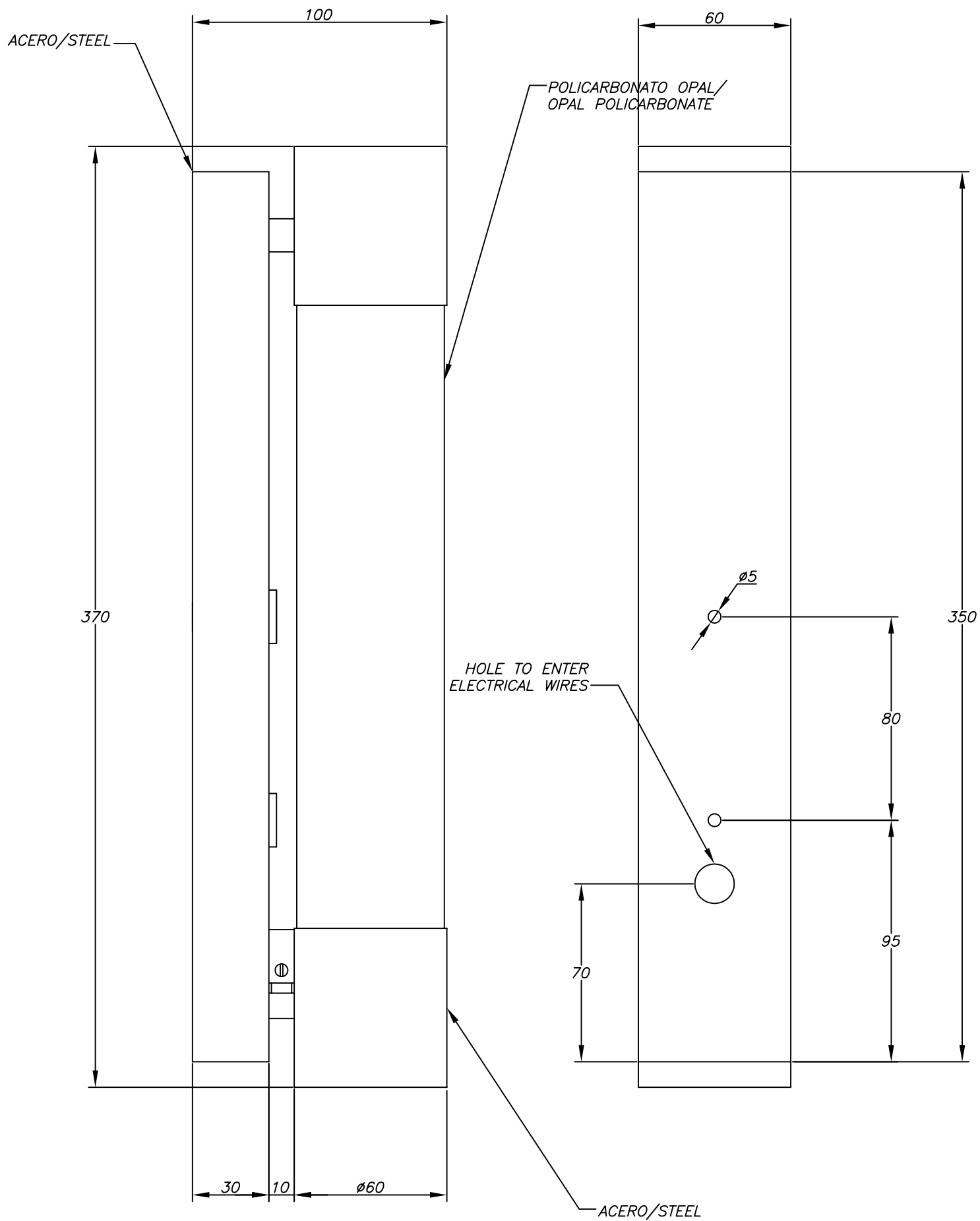
Luminance



Luminaire		Measur.		Lamp									
Code	05-4385-21-M1	Code	05-4385-21-M1	Code	PL-L18W/830/4P								
Name	Aplique 1x18W PL-L 2G11	Name	Aplique 1x18W 2G11	Number	1								
Line	- LEDS-C4	Date	28-08-2013	Position	Univesal								
Efficiency	54.67%	Coordinate system	CG	Total Flux	1200.00 lm								
Luminance cd/m2 Table 1/3													
	C 0.00	C 10.00	C 20.00	C 30.00	C 40.00	C 50.00	C 60.00	C 70.00	C 80.00	C 90.00	C 100.00	C 110.00	C 120.00
G 0.0	5713.41	5713.41	5713.41	5713.41	5713.41	5713.41	5713.41	5713.41	5713.41	5713.41	5713.41	5713.41	5713.41
G 5.0	5341.02	5332.85	5330.59	5333.99	5347.84	5369.25	5400.88	5450.68	5516.69	5594.01	5516.69	5450.68	5400.88
G 10.0	5110.87	5118.75	5123.85	5118.24	5113.68	5128.84	5167.98	5225.88	5325.83	5470.57	5325.83	5225.88	5167.98
G 15.0	5027.80	5009.42	4985.15	4951.55	4935.25	4943.30	4973.72	5029.26	5148.01	5336.46	5148.01	5029.26	4973.72
G 20.0	4951.16	4913.03	4889.65	4843.42	4809.70	4796.14	4806.95	4855.99	4989.63	5215.76	4989.63	4855.99	4806.95
G 25.0	4905.09	4856.01	4821.63	4753.48	4696.78	4662.39	4651.81	4676.54	4805.74	5058.24	4805.74	4676.54	4651.81
G 30.0	4917.96	4843.19	4772.63	4689.04	4609.39	4547.89	4510.33	4509.87	4626.85	4887.11	4626.85	4509.87	4510.33
G 35.0	4901.84	4813.48	4732.18	4634.17	4530.85	4444.62	4385.38	4364.34	4471.25	4740.00	4471.25	4364.34	4385.38
G 40.0	4893.26	4787.77	4691.43	4579.71	4464.38	4354.40	4260.29	4209.06	4285.32	4521.74	4285.32	4209.06	4260.29
G 45.0	4898.40	4768.06	4655.12	4532.22	4404.44	4271.36	4135.82	4027.06	4067.01	4308.91	4067.01	4027.06	4135.82
G 50.0	4900.24	4745.10	4620.33	4485.29	4325.27	4171.36	4022.50	3864.08	3862.48	4106.73	3862.48	3864.08	4022.50
G 55.0	4853.62	4678.24	4553.53	4429.66	4265.70	4090.55	3905.54	3696.50	3637.99	3827.77	3637.99	3696.50	3905.54
G 60.0	4817.24	4626.35	4476.71	4336.41	4194.81	4011.85	3764.90	3491.61	3378.74	3525.09	3378.74	3491.61	3764.90
G 65.0	4761.50	4573.17	4421.32	4269.69	4111.03	3913.82	3644.46	3310.15	3106.28	3141.21	3106.28	3310.15	3644.46
G 70.0	4790.26	4587.07	4416.08	4228.90	4016.24	3785.24	3501.00	3115.71	2831.44	2767.92	2831.44	3115.71	3501.00
G 75.0	4881.47	4674.19	4477.16	4249.71	4013.66	3730.22	3352.01	2872.94	2473.21	2227.79	2473.21	2872.94	3352.01
G 80.0	5053.00	4834.04	4631.45	4389.76	4112.86	3761.34	3295.72	2712.82	2136.51	1532.87	2136.51	2712.82	3295.72
G 85.0	5323.89	5088.08	4875.96	4614.63	4294.66	3908.11	3399.11	2682.59	1908.50	982.72	1908.50	2682.59	3399.11
G 90.0	5720.95	5457.04	5230.92	4960.40	4631.49	4232.75	3674.64	2806.54	1838.65	597.47	1838.65	2806.54	3674.64

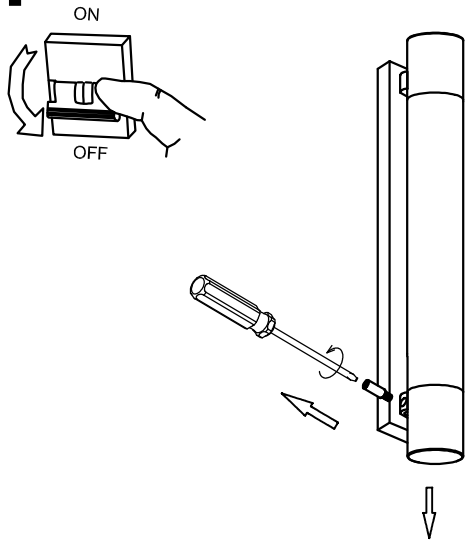
Luminaire		Measuram.		Lamp									
Code	05-4385-21-M1	Code	05-4385-21-M1	Code	PL-L18W/830/4P								
Name	Aplique 1x18W PL-L 2G11	Name	Aplique 1x18W 2G11	Number	1								
Line	- LEDS-C4	Date	28-08-2013	Position	Univesal								
Efficiency	54.67%	Coordinate system	CG	Total Flux	1200.00 lm								
Luminance cd/m2 Table 2/3													
	C 130.00	C 140.00	C 150.00	C 160.00	C 170.00	C 180.00	C 190.00	C 200.00	C 210.00	C 220.00	C 230.00	C 240.00	C 250.00
G 0.0	5713.41	5713.41	5713.41	5713.41	5713.41	5713.41	5713.41	5713.41	5713.41	5713.41	5713.41	5713.41	5713.41
G 5.0	5369.25	5347.84	5333.99	5330.59	5332.85	5341.02	5332.85	5330.59	5333.99	5347.84	5369.25	5400.88	5450.68
G 10.0	5128.84	5113.68	5118.24	5123.85	5118.75	5110.87	5118.75	5123.85	5118.24	5113.68	5128.84	5167.98	5225.88
G 15.0	4943.30	4935.25	4951.55	4985.15	5009.42	5027.80	5009.42	4985.15	4951.55	4935.25	4943.30	4973.72	5029.26
G 20.0	4796.14	4809.70	4843.42	4889.65	4913.03	4951.16	4913.03	4889.65	4843.42	4809.70	4796.14	4806.95	4855.99
G 25.0	4662.39	4696.78	4753.48	4821.63	4856.01	4905.09	4856.01	4821.63	4753.48	4696.78	4662.39	4651.81	4676.54
G 30.0	4547.89	4609.39	4689.04	4772.63	4843.19	4917.96	4843.19	4772.63	4689.04	4609.39	4547.89	4510.33	4509.87
G 35.0	4444.62	4530.85	4634.17	4732.18	4813.48	4901.84	4813.48	4732.18	4634.17	4530.85	4444.62	4385.38	4364.34
G 40.0	4354.40	4464.38	4579.71	4691.43	4787.77	4893.26	4787.77	4691.43	4579.71	4464.38	4354.40	4260.29	4209.06
G 45.0	4271.36	4404.44	4532.22	4655.12	4768.06	4898.40	4768.06	4655.12	4532.22	4404.44	4271.36	4135.82	4027.06
G 50.0	4171.36	4325.27	4485.29	4620.33	4745.10	4900.24	4745.10	4620.33	4485.29	4325.27	4171.36	4022.50	3864.08
G 55.0	4090.55	4265.70	4429.66	4553.53	4678.24	4853.62	4678.24	4553.53	4429.66	4265.70	4090.55	3905.54	3696.50
G 60.0	4011.85	4194.81	4336.41	4476.71	4626.35	4817.24	4626.35	4476.71	4336.41	4194.81	4011.85	3764.90	3491.61
G 65.0	3913.82	4111.03	4269.69	4421.32	4573.17	4761.50	4573.17	4421.32	4269.69	4111.03	3913.82	3644.46	3310.15
G 70.0	3785.24	4016.24	4228.90	4416.08	4587.07	4790.26	4587.07	4416.08	4228.90	4016.24	3785.24	3501.00	3115.71
G 75.0	3730.22	4013.66	4249.71	4477.16	4674.19	4881.47	4674.19	4477.16	4249.71	4013.66	3730.22	3352.01	2872.94
G 80.0	3761.34	4112.86	4389.76	4631.45	4834.04	5053.00	4834.04	4631.45	4389.76	4112.86	3761.34	3295.72	2712.82
G 85.0	3908.11	4294.66	4614.63	4875.96	5088.08	5323.89	5088.08	4875.96	4614.63	4294.66	3908.11	3399.11	2682.59
G 90.0	4232.75	4631.49	4960.40	5230.92	5457.04	5720.95	5457.04	5230.92	4960.40	4631.49	4232.75	3674.64	2806.54

Luminaire		Measur.		Lamp									
Code	05-4385-21-M1	Code	05-4385-21-M1	Code	PL-L18W/830/4P								
Name	Aplique 1x18W PL-L 2G11	Name	Aplique 1x18W 2G11	Number	1								
Line	- LEDS-C4	Date	28-08-2013	Position	Univesal								
Efficiency	54.67%	Coordinate system	CG	Total Flux	1200.00 lm								
Luminance cd/m2 Table 3/3													
	C 180.00	C 190.00	C 200.00	C 210.00	C 220.00	C 230.00	C 240.00	C 250.00	C 260.00	C 270.00	C 280.00	C 290.00	C 300.00
G 0.0	5713.41	5713.41	5713.41	5713.41	5713.41	5713.41	5713.41	5713.41	5713.41	5713.41	5713.41	5713.41	5713.41
G 5.0	5341.02	5332.85	5330.59	5333.99	5347.84	5369.25	5400.88	5450.68	5516.69	5594.01	5516.69	5450.68	5400.88
G 10.0	5110.87	5118.75	5123.85	5118.24	5113.68	5128.84	5167.98	5225.88	5325.83	5470.57	5325.83	5225.88	5167.98
G 15.0	5027.80	5009.42	4985.15	4951.55	4935.25	4943.30	4973.72	5029.26	5148.01	5336.46	5148.01	5029.26	4973.72
G 20.0	4951.16	4913.03	4889.65	4843.42	4809.70	4796.14	4806.95	4855.99	4989.63	5215.76	4989.63	4855.99	4806.95
G 25.0	4905.09	4856.01	4821.63	4753.48	4696.78	4662.39	4651.81	4676.54	4805.74	5058.24	4805.74	4676.54	4651.81
G 30.0	4917.96	4843.19	4772.63	4689.04	4609.39	4547.89	4510.33	4509.87	4626.85	4887.11	4626.85	4509.87	4510.33
G 35.0	4901.84	4813.48	4732.18	4634.17	4530.85	4444.62	4385.38	4364.34	4471.25	4740.00	4471.25	4364.34	4385.38
G 40.0	4893.26	4787.77	4691.43	4579.71	4464.38	4354.40	4260.29	4209.06	4285.32	4521.74	4285.32	4209.06	4260.29
G 45.0	4898.40	4768.06	4655.12	4532.22	4404.44	4271.36	4135.82	4027.06	4067.01	4308.91	4067.01	4027.06	4135.82
G 50.0	4900.24	4745.10	4620.33	4485.29	4325.27	4171.36	4022.50	3864.08	3862.48	4106.73	3862.48	3864.08	4022.50
G 55.0	4853.62	4678.24	4553.53	4429.66	4265.70	4090.55	3905.54	3696.50	3637.99	3827.77	3637.99	3696.50	3905.54
G 60.0	4817.24	4626.35	4476.71	4336.41	4194.81	4011.85	3764.90	3491.61	3378.74	3525.09	3378.74	3491.61	3764.90
G 65.0	4761.50	4573.17	4421.32	4269.69	4111.03	3913.82	3644.46	3310.15	3106.28	3141.21	3106.28	3310.15	3644.46
G 70.0	4790.26	4587.07	4416.08	4228.90	4016.24	3785.24	3501.00	3115.71	2831.44	2767.92	2831.44	3115.71	3501.00
G 75.0	4881.47	4674.19	4477.16	4249.71	4013.66	3730.22	3352.01	2872.94	2473.21	2227.79	2473.21	2872.94	3352.01
G 80.0	5053.00	4834.04	4631.45	4389.76	4112.86	3761.34	3295.72	2712.82	2136.51	1532.87	2136.51	2712.82	3295.72
G 85.0	5323.89	5088.08	4875.96	4614.63	4294.66	3908.11	3399.11	2682.59	1908.50	982.72	1908.50	2682.59	3399.11
G 90.0	5720.95	5457.04	5230.92	4960.40	4631.49	4232.75	3674.64	2806.54	1838.65	597.47	1838.65	2806.54	3674.64

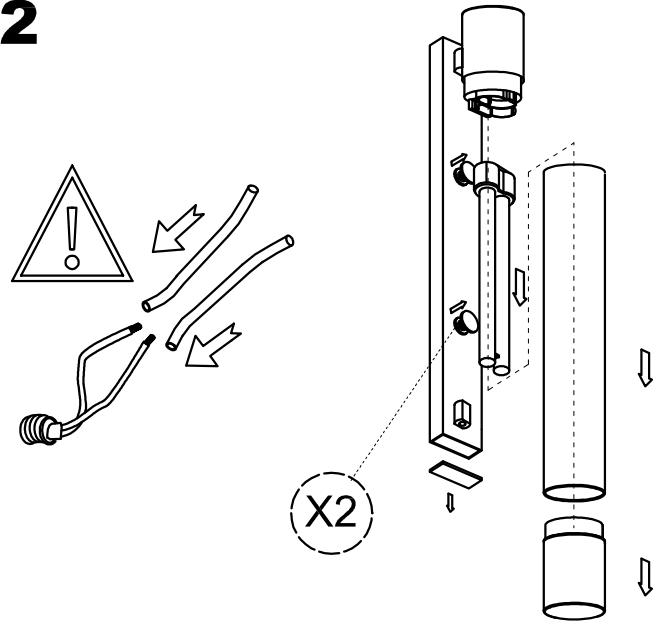




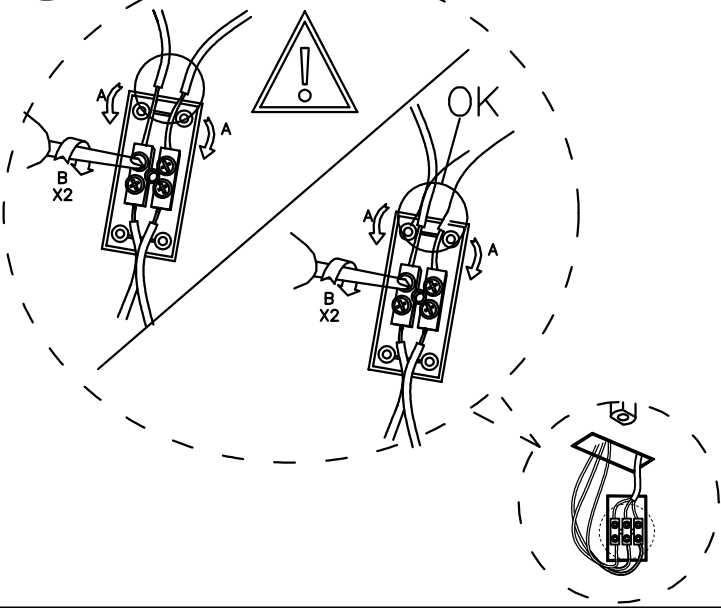
**1**



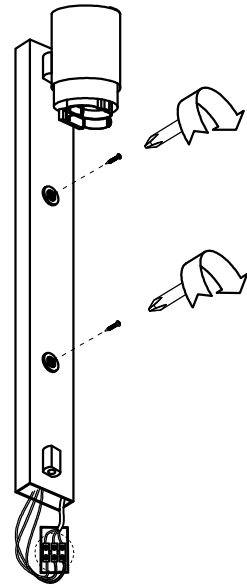
**2**



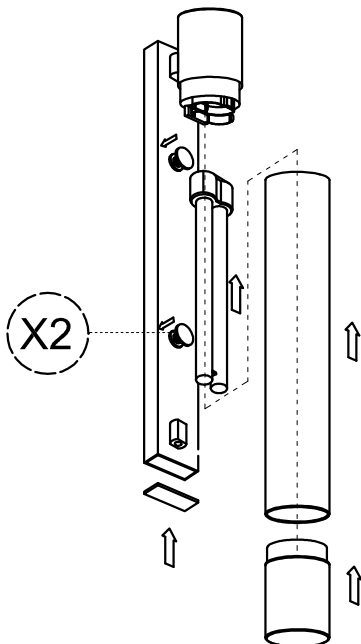
**3**



**4**



**5**



**6**

