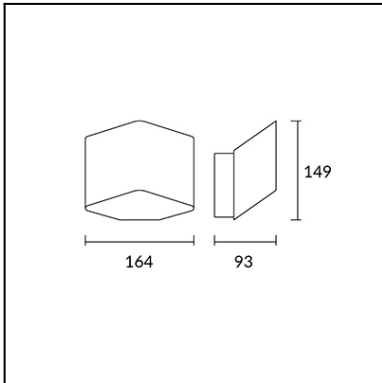


The photograph may not match the reference exactly. Please read the product description to identify the finish.


TECHNICAL CHARACTERISTICS

Type:	Wall fixture
IP Protection degrees:	IP20
Light source 1:	1 x LED Sharp 7.5W Warm White - 3000K 700 lm ^(N) CRI 80
Total power consumption (W):	9.7
Voltage / Frequency:	100-240V/50-60Hz
Warranty (Years):	2
Option to extend the guarantee (Years):	5
Units per box:	12
Net Weight (Kg):	0.56
EAN:	8435381424657


MATERIALS / FINISHES

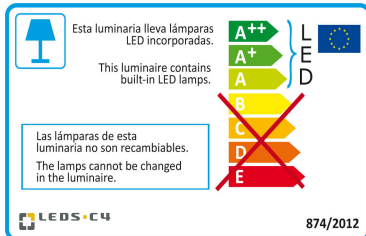
Structure material: Extruded aluminium
Steel

Structure finish: Polished
Matt white

GEAR

Multi-voltage electronic gear included (100-240V / 50-60Hz)

Download photometric file .ldt / .ies



Click on image to download energy label

Lm^(N): Nominal flow of light in actual working conditions. Its actual flow will depend on the environmental conditions and the efficiency of the optics and/or diffuser.

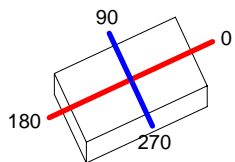
LEDS-C4 reserves the right to make the necessary technical changes they deem adequate, in order to improve the features of the product.

Please consult the sales team to clarify any doubt.

Luminaire		Measuram.		Lamp			
Code	05-3980-14-14	Code	05-3980-14-14	Code	05-3980-14-14		
Name	Aplique JET led 7.5W	Name	Aplique JET led 7.5W	Number	1		
Line	- LEDS C4 LEDS	Date	18-09-2015	Position	Universal		
Luminaire Flux	456.99 lm	Luminaire Power	7.00 W	Efficacy	65.28 lm/W	Efficiency	100.00%
Lamps Flux	457.00 lm	Maximum value	222.72 cd	Position	C=90.00 G=50.00	CG Sym.	on planes 270-90
Rectangular Luminaire	Length	93 mm	Width	164 mm	Height	149 mm	
Rectangular Luminous Area	Length	55 mm	Width	150 mm	Height	149 mm	
Horizontal Luminous Area	0.008250 m2		Emitting area on Plane 180°		0.008195 m2		
Emitting area on Plane 0°	0.008195 m2		Emitting area on Plane 270°		0.022350 m2		
Emitting area on Plane 90°	0.022350 m2		Glare area at 76°		0.009947 m2		
Coordinate system	CG	Symmetry Type		Sym. on planes 270-90			
Date	18-09-2015	Maximum Gamma Angle		180			
Measurement Distance	6.44	Measurement Flux		457.00 lm			
Operator	Asselum T2	Source voltage		230.00 V			
Temperature	24.00 °C	Source current		Prc			
Humidity	46.00 %	Photocell					
Notes							

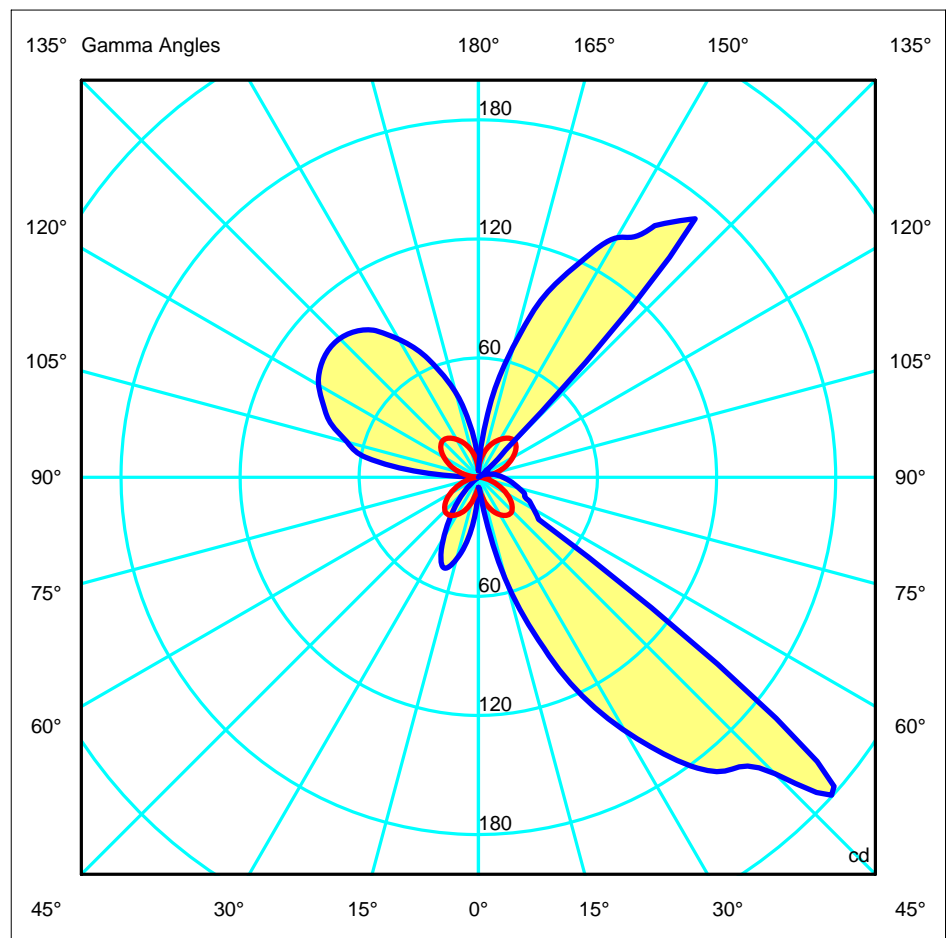
Line	Code	Luminaire Lamps	Flux [lm]	Pow. [W]	Q.ty
- LEDS C4 LEDS	05-3980-14-14	Name Lâmpara led 7.5W SHARP	457.00	7.00	1
C.I.E.	47 80 90 40 100	D DIN 5040	D32		
F UTE	0.40 E + 0.60 T	B NBN	BZ 5		

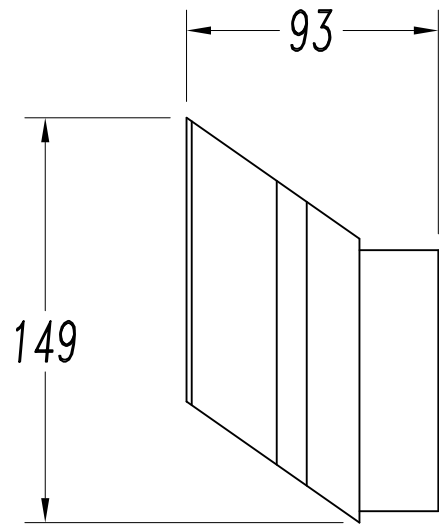
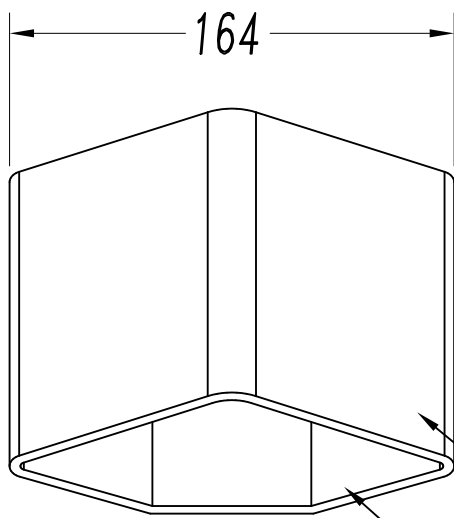
93mm x 164mm



C Halfplanes
 270.0 ——— 0.0
 180.0 ——— 0.0
 ——— 90.0

ULOR 60.23 %
 DLOR 39.76 %
 RN 60.23 %

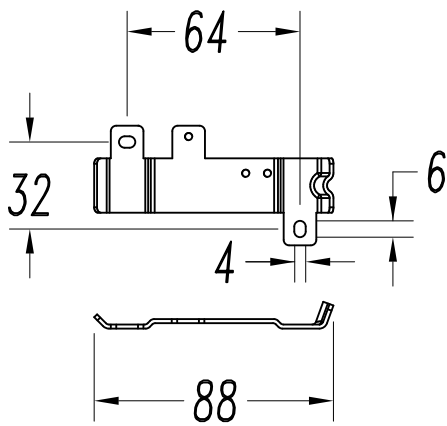




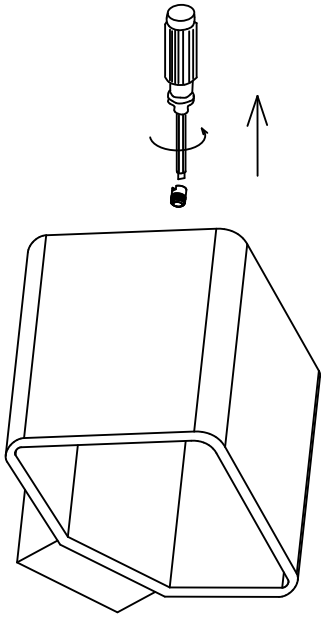
AL /satin Aluminium
or matt white

AL / matt white

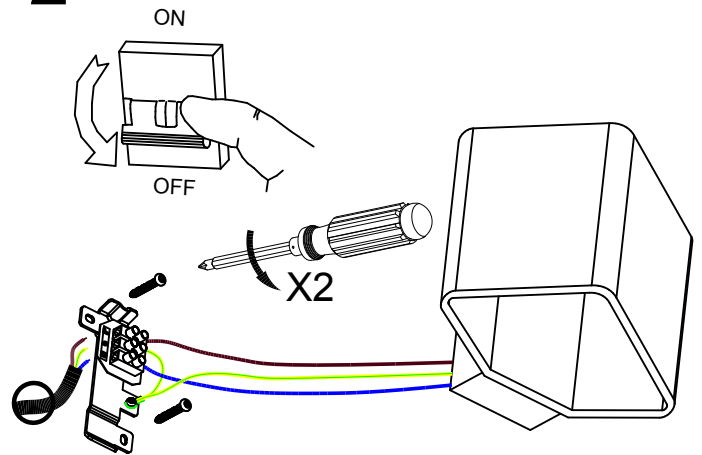
Steel /Silver or matt white



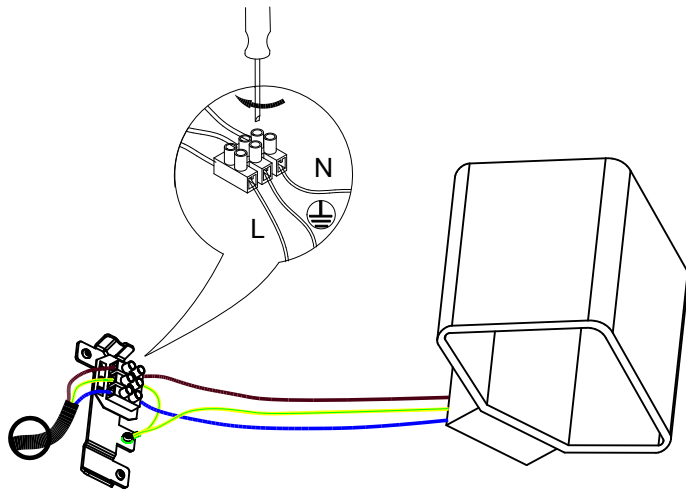
1



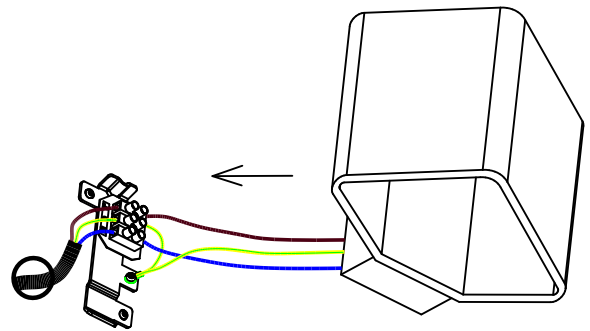
2



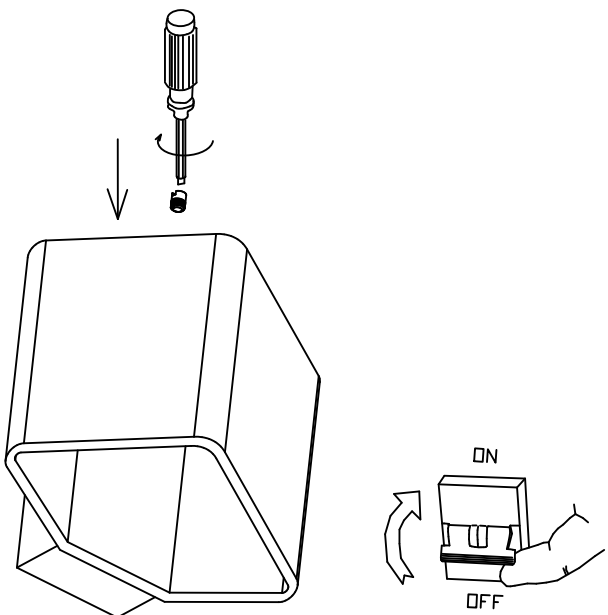
3



4



5



6

