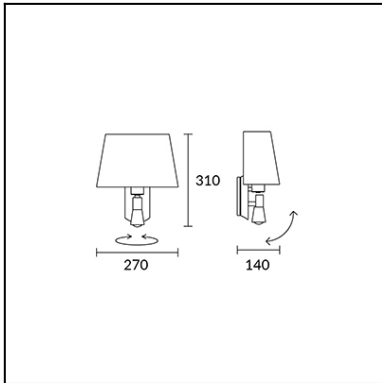
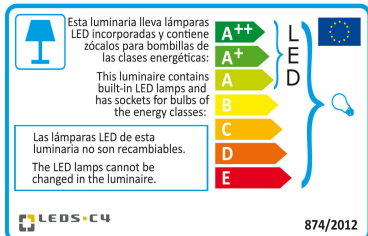




The photograph may not match the reference exactly. Please read the product description to identify the finish.



[Download photometric file .ldt /.ies](#)



[Click on image to download energy label](#)

### TECHNICAL CHARACTERISTICS

Type:	Wall fixture
IP Protection degrees:	IP20
Light source 1: Bulb specified at the product label	1 x LED Cree 2.2W Warm White - 3000K 162 lm <sup>(N)</sup> CRI 80
Light source 2: Bulb specified at the product label	1 x E27 60W 0 lm <sup>(N)</sup>
Angle of the optics / Reflector:	30°
Voltage / Frequency:	100-240V/50-60Hz
Warranty:	2
Option to extend the guarantee:	5
Units per box:	6
Net Weight (Kg):	0.980
EAN Code:	8435111066027



### MATERIALS / FINISHES

**Structure material:** Steel

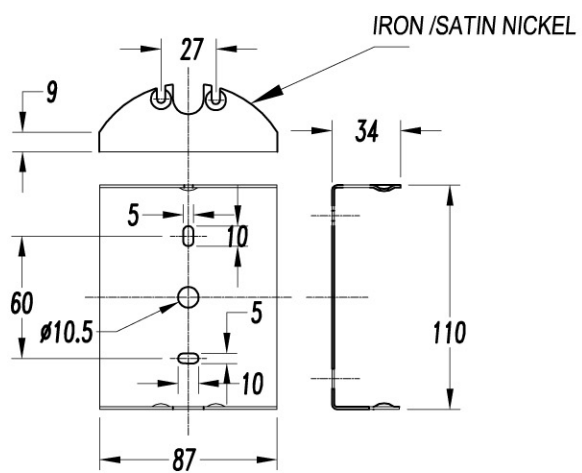
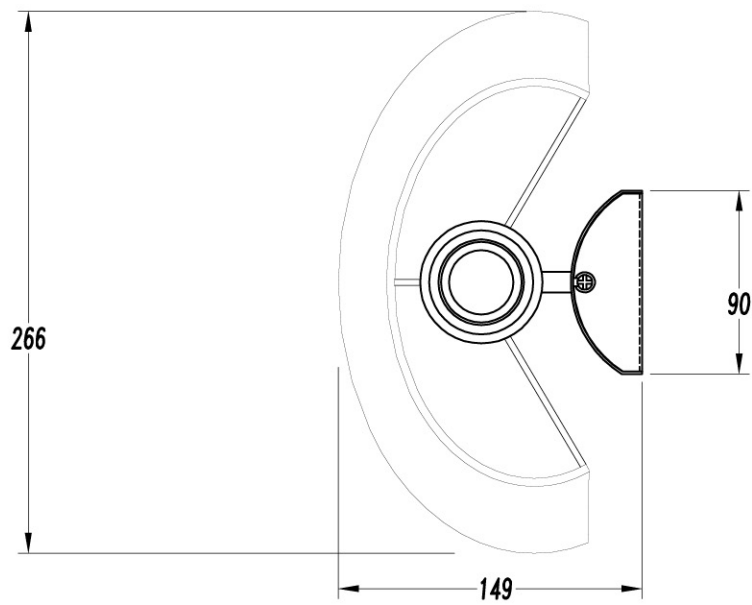
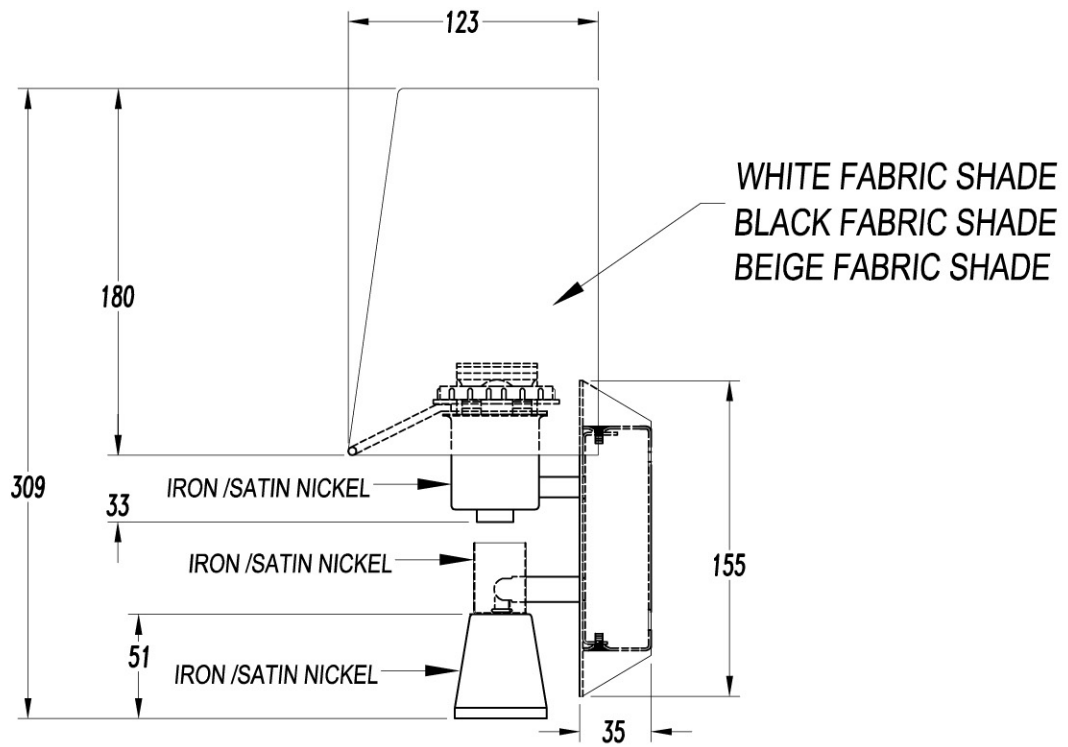
**Diffuser material:** Fabric shade

**Structure finish:** Satin nickel

**Diffuser finish:** White

### GEAR

Multi-voltage electronic gear included (Yes)





LED S-C4

