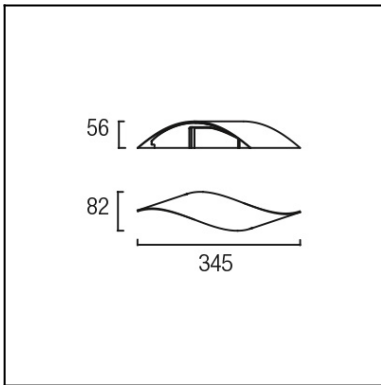
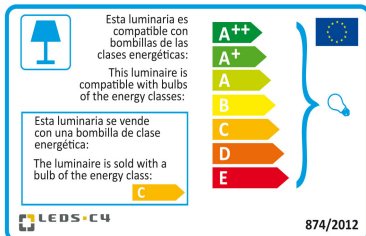


Design by Ramon Valls


The photograph may not match the reference exactly. Please read the product description to identify the finish.



[Download photometric file .ldt / .ies](#)



[Click on image to download energy label](#)

TECHNICAL CHARACTERISTICS

Type:	Wall fixture
IP Protection degrees:	IP20
Light source 1:	1 x R7s 80W Maximum lamp length: 78.00 mm
Bulb included:	1 x R7s 80
Total power consumption (W):	80
Voltage / Frequency:	220-240V/50-60Hz
Warranty (Years):	2
Units per box:	6
Net Weight (Kg):	0.37
EAN:	8435381406981


MATERIALS / FINISHES

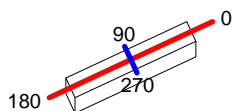
Structure material: Aluminium

Structure finish: Satin

Luminaire		Measur.		Lamp		
Code	05-1817-AF-AF	Code	05-1817-AF-AF	Code	80W R7s 230V	
Name	Aplique 80W halogena R7s opal	Name	Aplique 80W halogena R7s opal	Number	1	
Line	Eulumdat	Date	17-07-2013	Position		
Efficiency	53.02%	Coordinate system	CG	Total Flux	1400.00 lm	
Maximum value	170.94 cd	Position	C=90.00 G=15.00	Asymmetrical		
Rectangular Luminaire	Length	56 mm	Width	345 mm	Height	82 mm
Rectangular Luminous Area	Length	35 mm	Width	100 mm	Height	82 mm
Horizontal Luminous Area	0.003500 m2	Emitting area on Plane 180°		0.002870 m2		
Emitting area on Plane 0°	0.002870 m2	Emitting area on Plane 270°		0.008200 m2		
Emitting area on Plane 90°	0.008200 m2	Glare area at 76°		0.003631 m2		
Symmetry Type	Asymmetrical	Maximum Gamma Angle		180		
Measurement Distance	0.00	Measurement Flux		1400.00 lm		
Operator	Asselum T2	Source voltage				
Temperature	25.00 °C	Source current				
Humidity	60.00 %	Photocell				
Notes						

Luminaire Lamps					
Line	Code	Name	Flux [lm]	Pow. [W]	Q.ty
Eulumdat	80W R7s 230V	80W R7s 230V - 80.00 W	1400.00	80.00	1
C.I.E.	54 85 97 50 53	D DIN 5040			
F UTE	0.27 D + 0.27 T	B NBN			
		C41			
		BZ 4			

56mm x 345mm



C Halfplanes

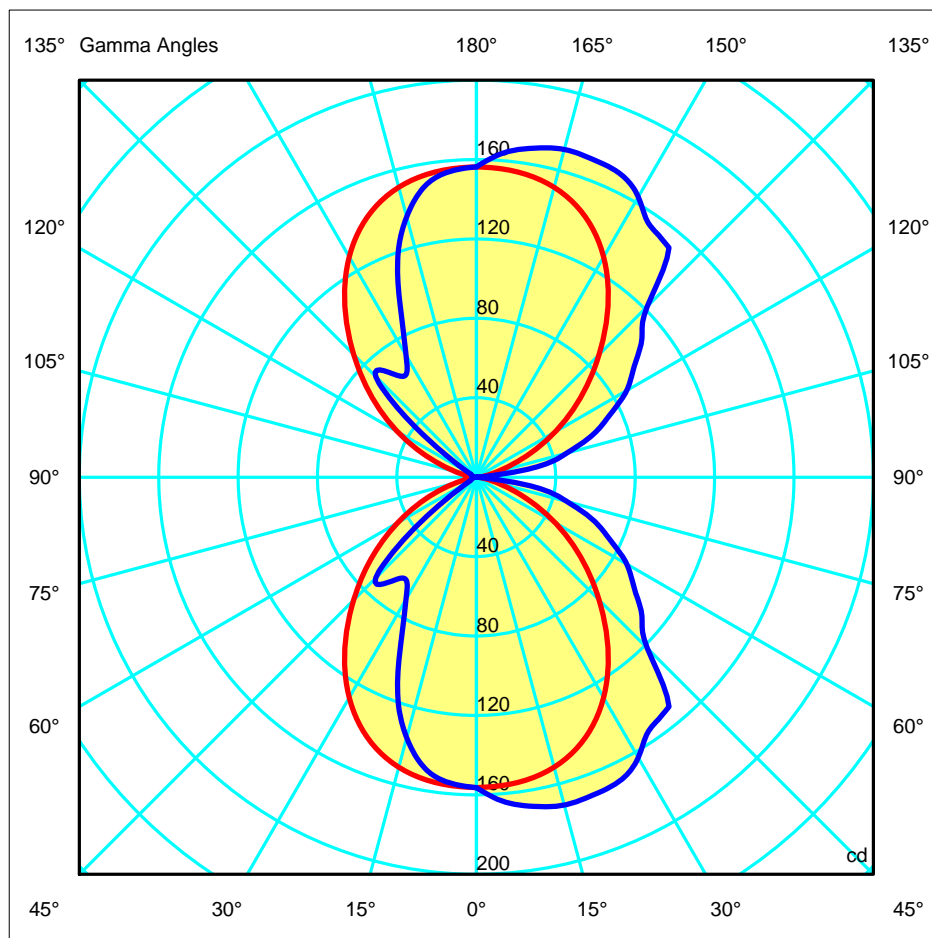
180.0 — 0.0

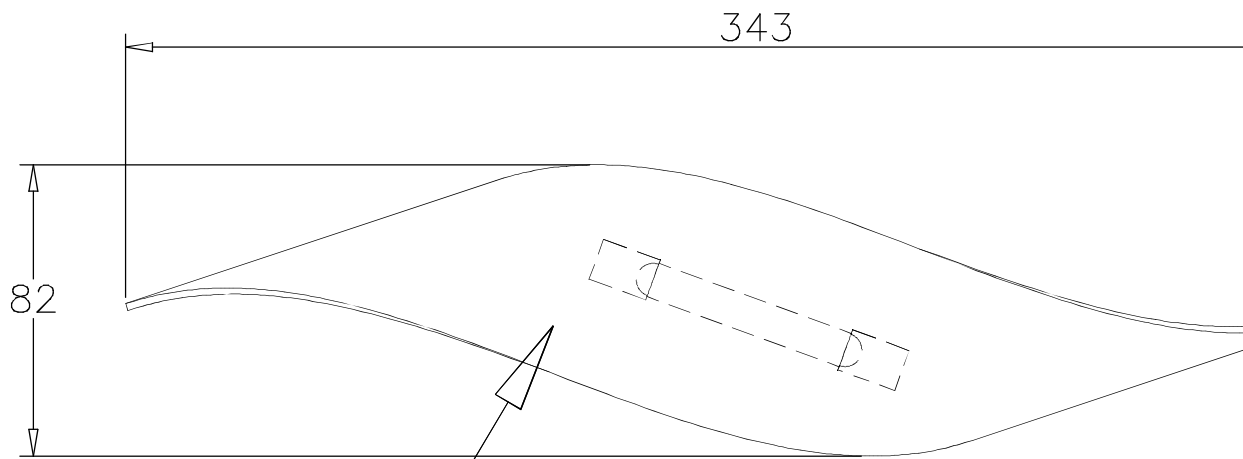
270.0 — 90.0

ULOR 26.51 %

DLOR 26.51 %

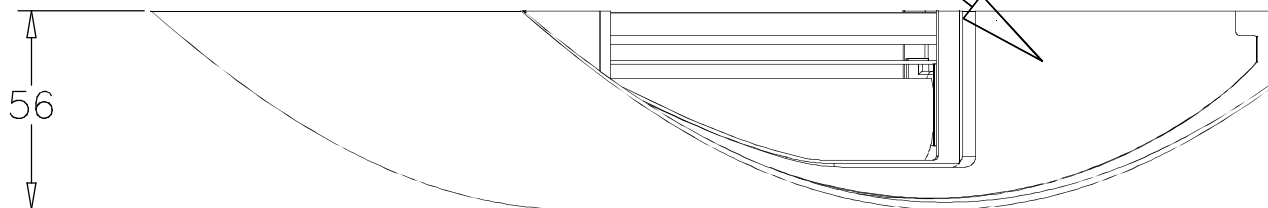
RN 50.00 %

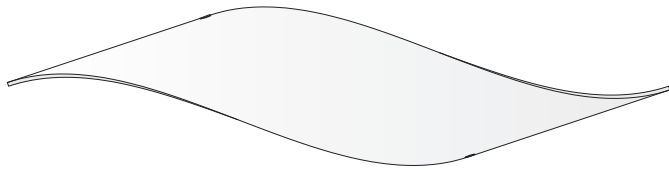




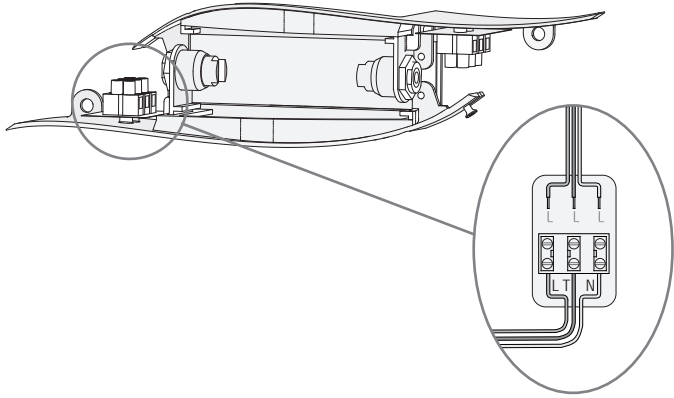
SATIN ALUMINUM /
ALUMINIO SATINADO

ALUMINUM GREY /
ALUMINIO GRIS

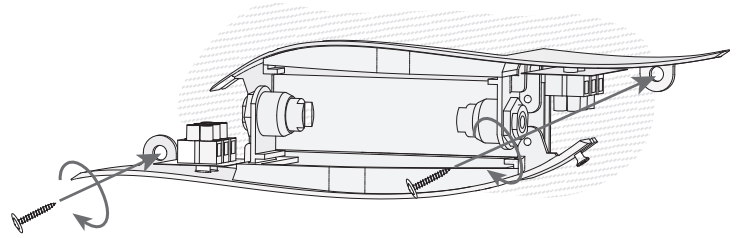




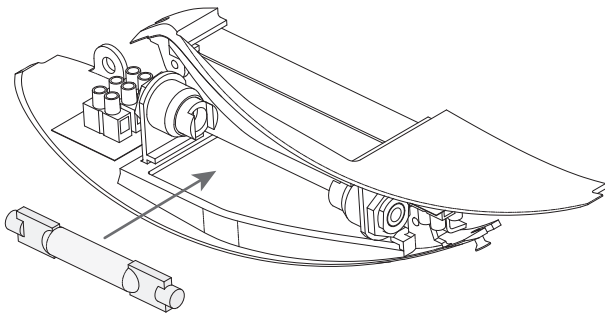
1



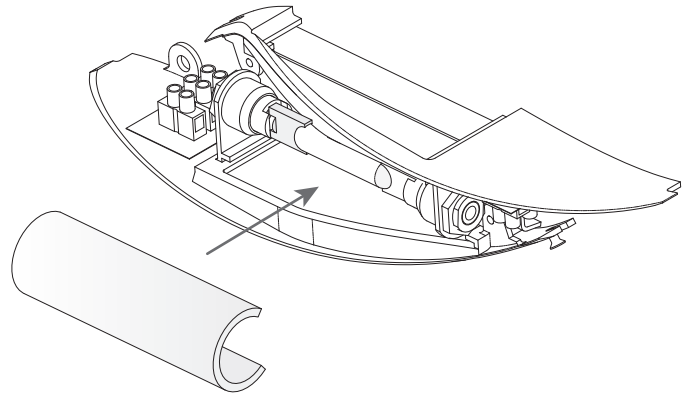
2



3

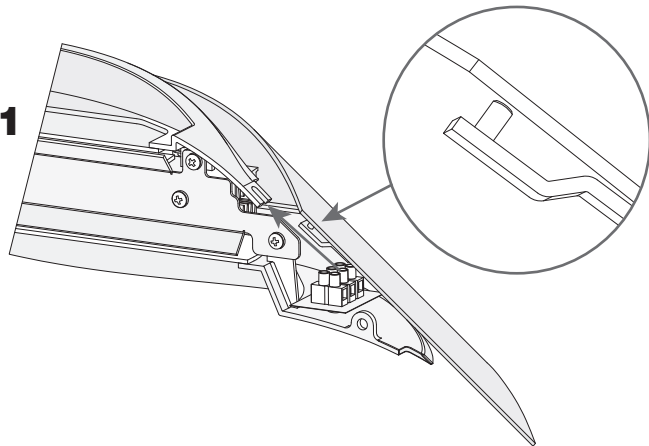


4

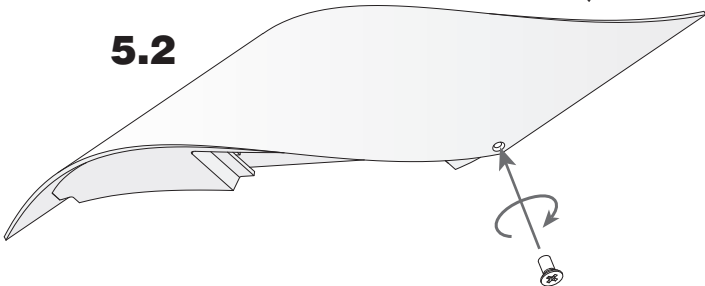


5

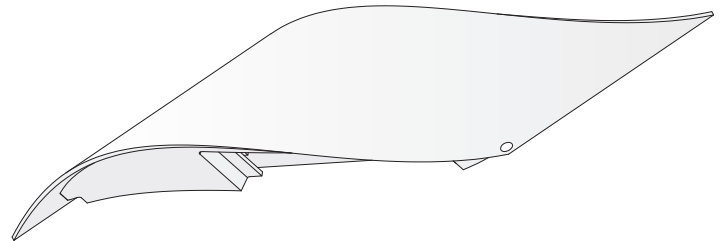
5.1

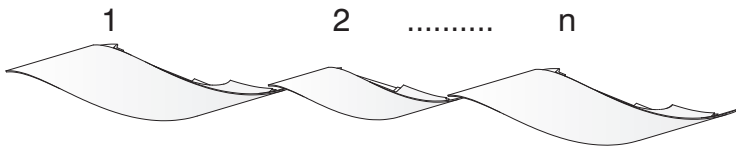


5.2

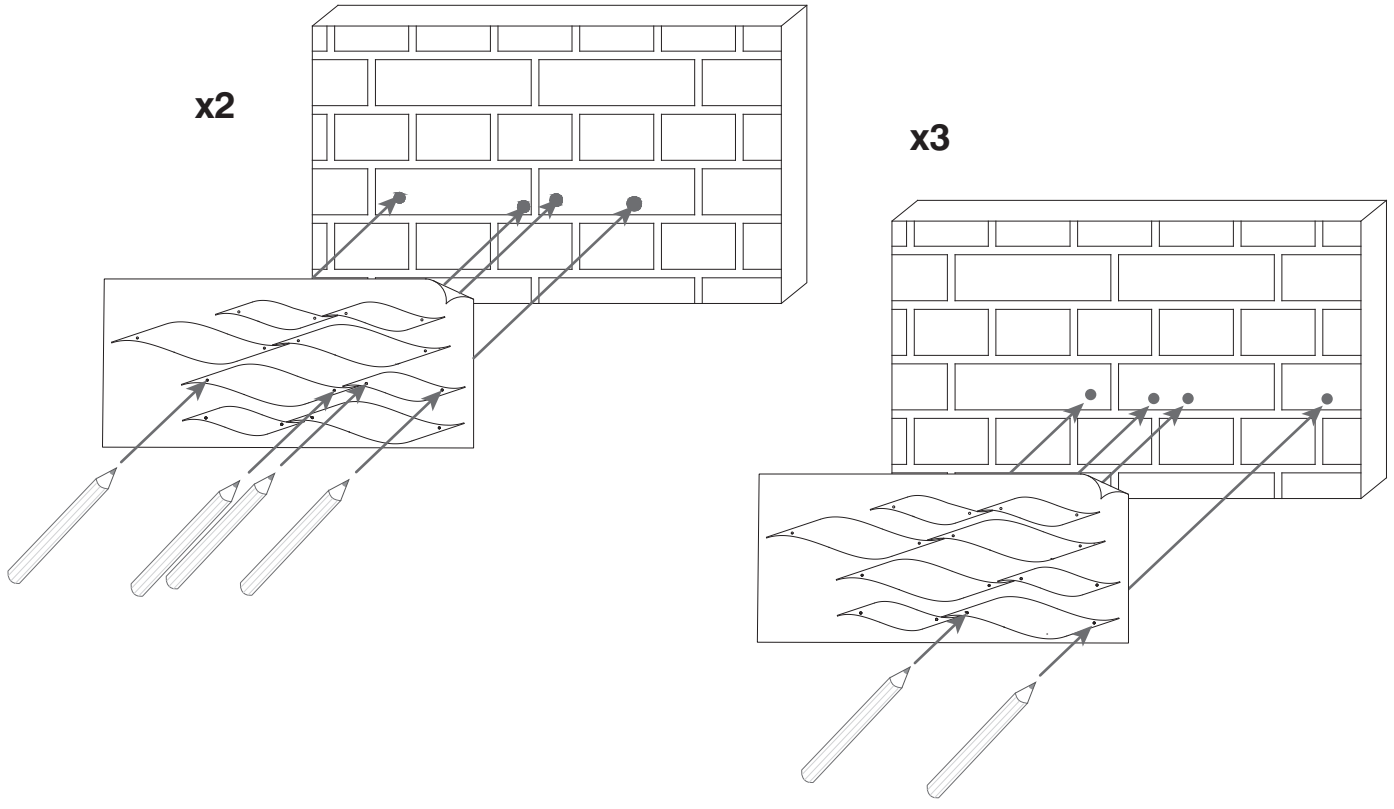


6

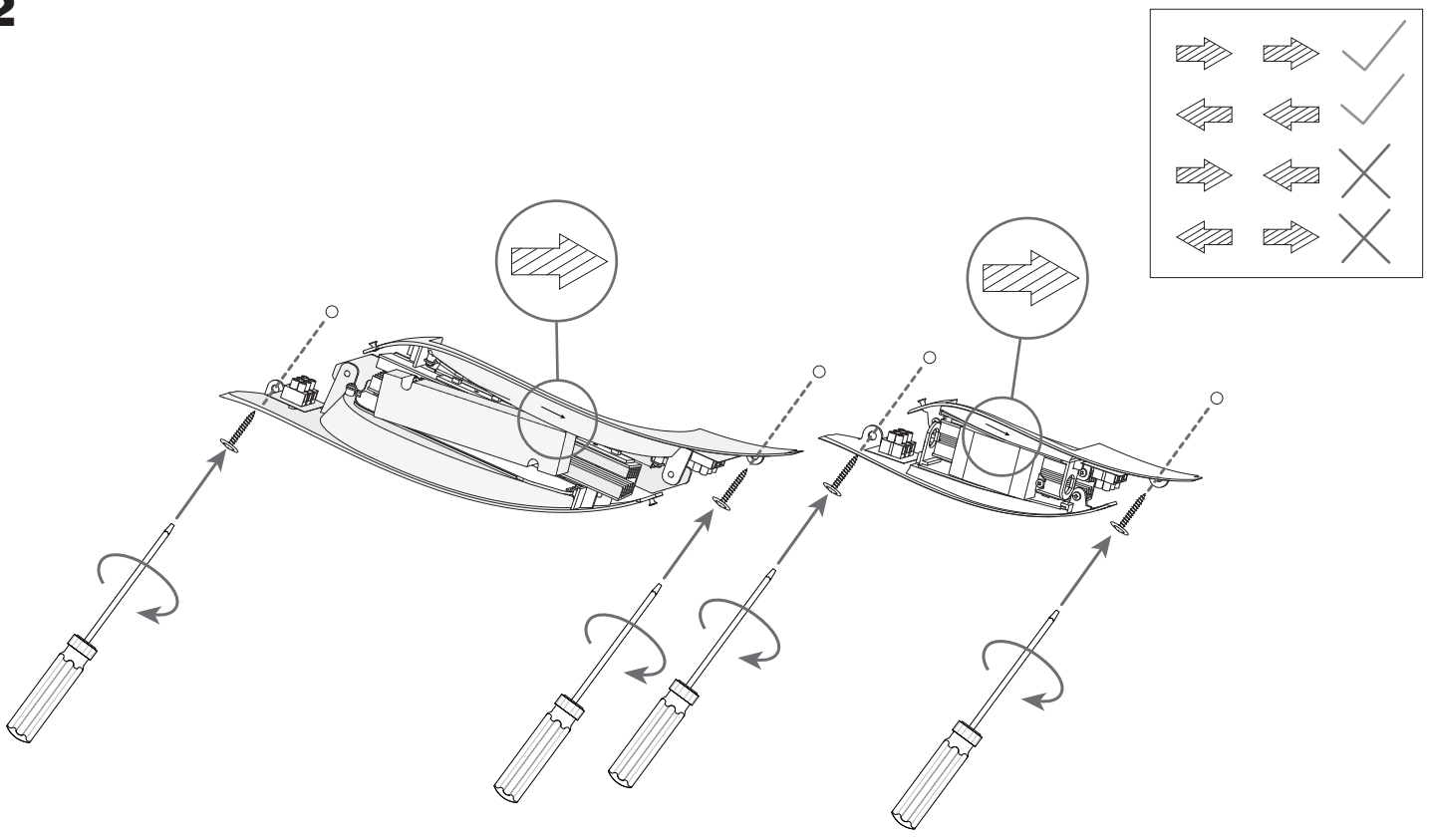


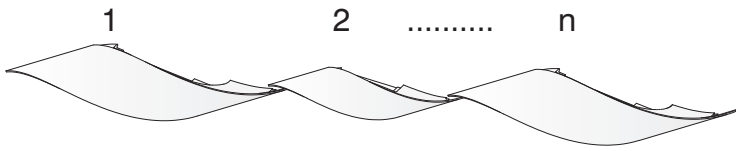


1

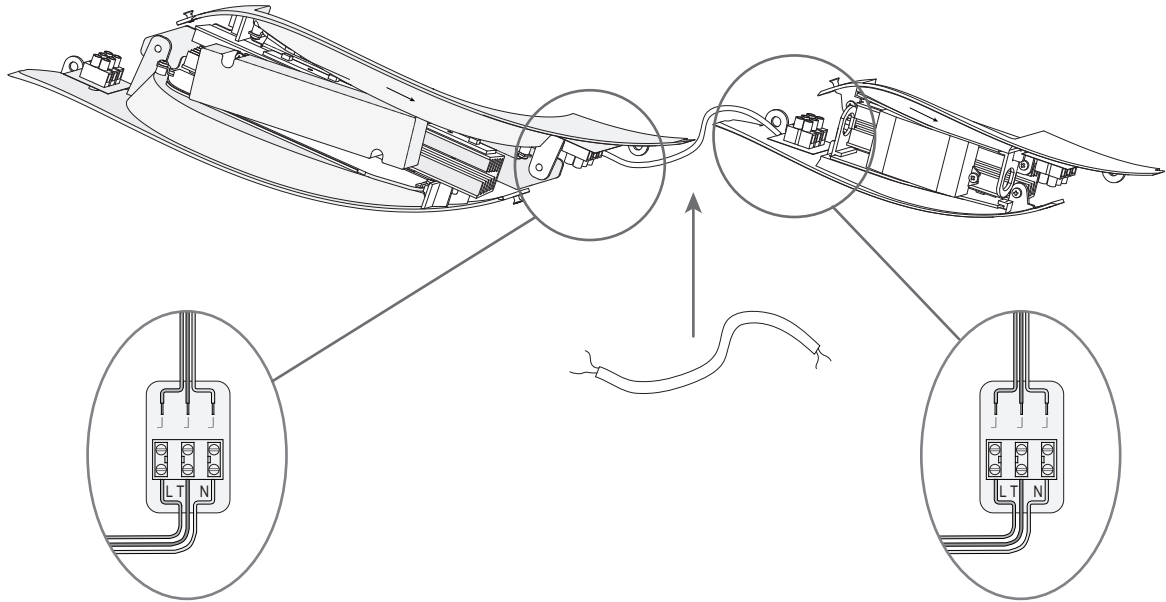


2





3



4

