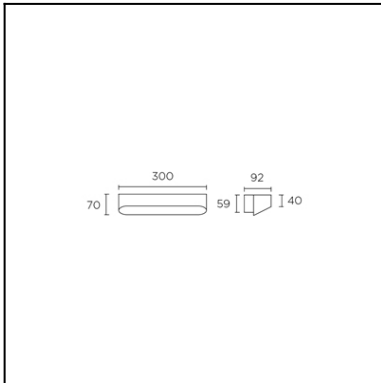




The photograph may not match the reference exactly. Please read the product description to identify the finish.



### TECHNICAL CHARACTERISTICS

Type:	Wall fixture
IP Protection degrees:	IP20
Light source 1:	2 x LED Citizen 9.5W Warm White - 3000K 976 lm <sup>(N)</sup> CRI 80
Voltage / Frequency:	100-240V/50-60Hz
Warranty (Years):	2
Option to extend the guarantee (Years):	5
Units per box:	6
Net Weight (Kg):	0.875
EAN:	8435381404956



### MATERIALS / FINISHES

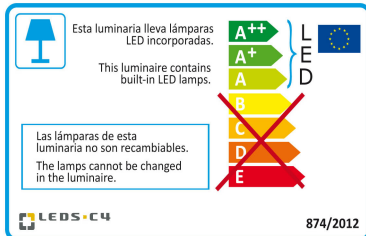
**Structure material:** Satin aluminium

**Structure finish:** Polished  
Matt white

### GEAR

Multi-voltage electronic gear included (110-240 V / 50-60 Hz)

[Download photometric file .ldt / .ies](#)



Click on image to download energy label

Lm<sup>(N)</sup>: Nominal flow of light in actual working conditions. Its actual flow will depend on the environmental conditions and the efficiency of the optics and/or diffuser.

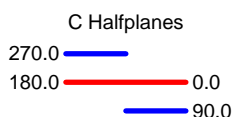
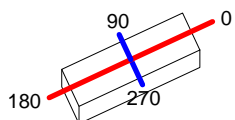
LEDS-C4 reserves the right to make the necessary technical changes they deem adequate, in order to improve the features of the product.

Please consult the sales team to clarify any doubt.

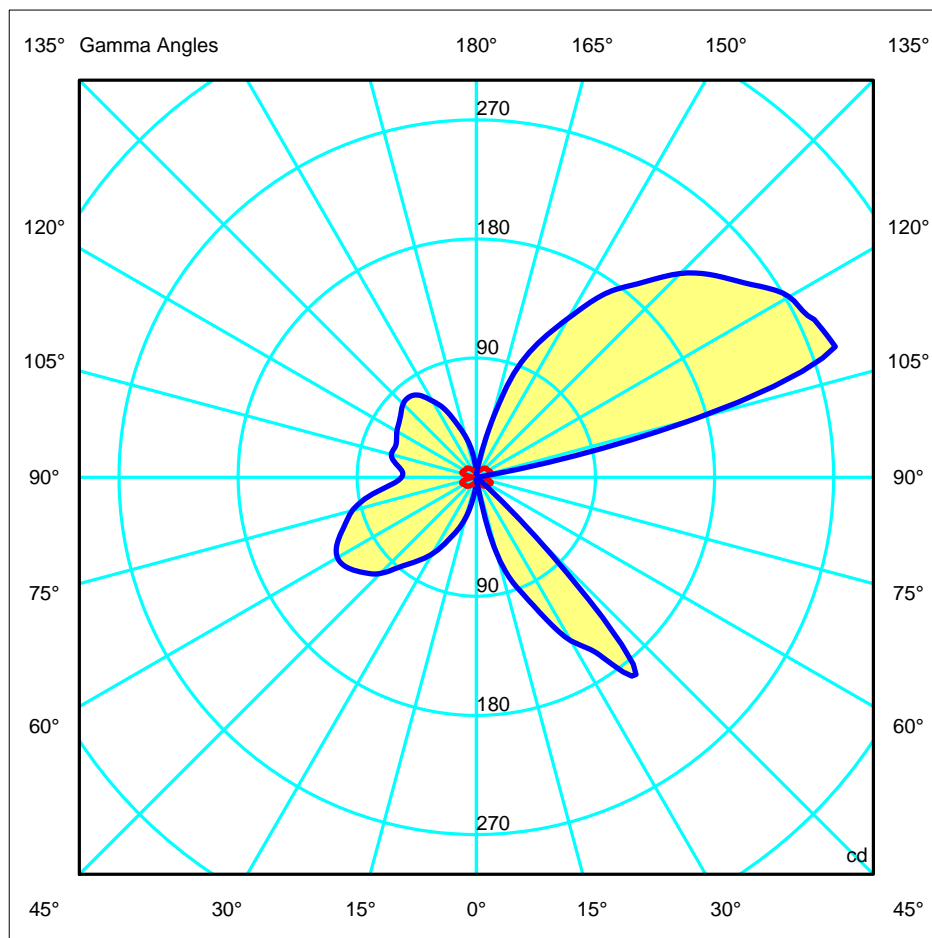
<b>Luminaire</b>		<b>Measur.</b>		<b>Lamp</b>		
Code	05-2019	Code	05-2019	Code	05-2019	
Name	Aplique led 8W	Name	Aplique led 8W	Number	2	
Line	Eulumdat	Date	15-02-2013	Position		
Efficiency	100.00%	Coordinate system	CG	Total Flux	764.00 lm	
Maximum value	288.54 cd	Position	C=90.00 G=110.00	Sym. on planes	270-90	
Rectangular Luminaire	Length	92 mm	Width	300 mm	Height	70 mm
Rectangular Luminous Area	Length	47 mm	Width	300 mm	Height	70 mm
Horizontal Luminous Area	0.014100 m2	Emitting area on Plane 180°	0.003290 m2			
Emitting area on Plane 0°	0.003290 m2	Emitting area on Plane 270°	0.021000 m2			
Emitting area on Plane 90°	0.021000 m2	Glare area at 76°	0.006603 m2			
Symmetry Type	Sym. on planes 270-90	Maximum Gamma Angle	180			
Measurement Distance	0.00	Measurement Flux	764.00 lm			
Operator	Asselum T2	Source voltage				
Temperature	25.00 °C	Source current				
Humidity	60.00 %	Photocell				
Notes						

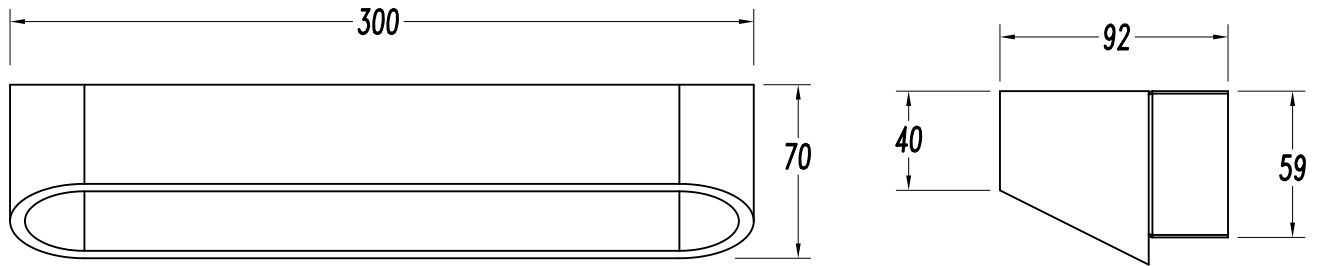
Luminaire Lamps					
Line	Code	Name	Flux [lm]	Pow. [W]	Q.ty
Eulumdat	05-2019	05-2019 - 8.00 W	382.00	8.00	2
C.I.E.	30 64 87 38 100	D DIN 5040	D12		
F UTE	0.38 I + 0.62 T	B NBN	BZ 7 / 1 / BZ 6		

92mm x 300mm

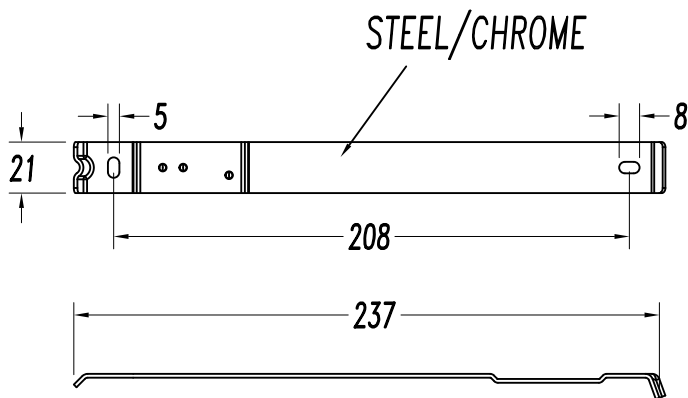
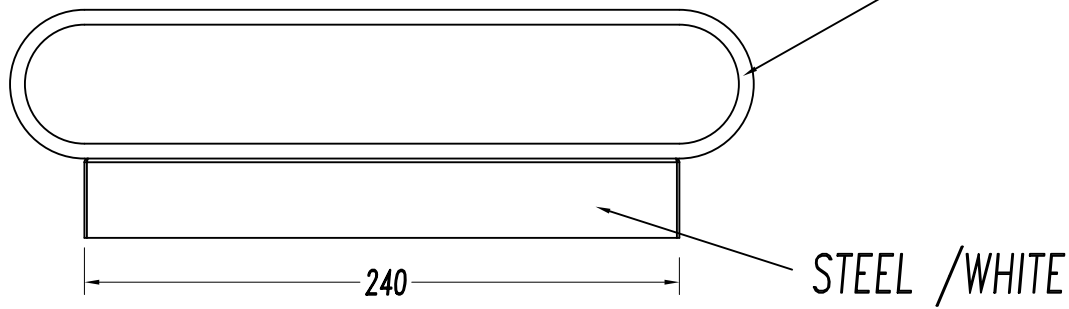


ULOR	62.15 %
DLOR	37.85 %
RN	62.15 %

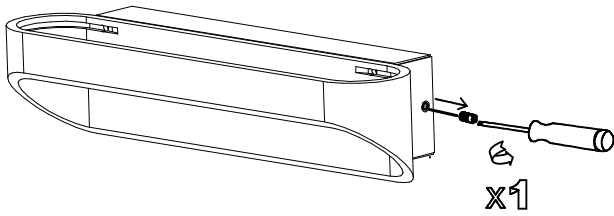




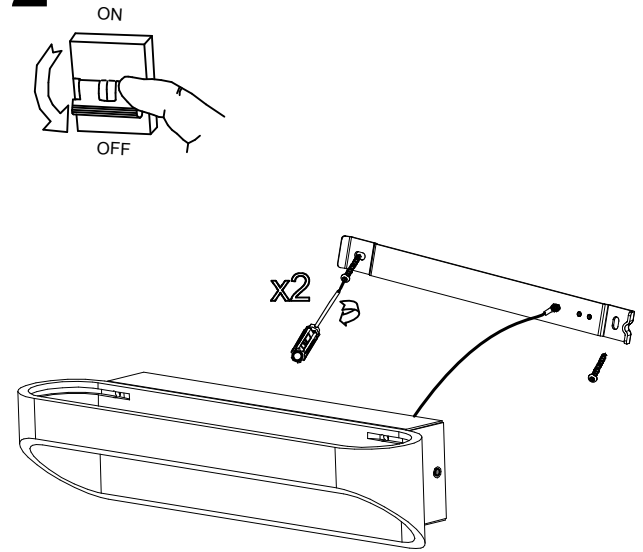
Aluminium / White or Polished Aluminium



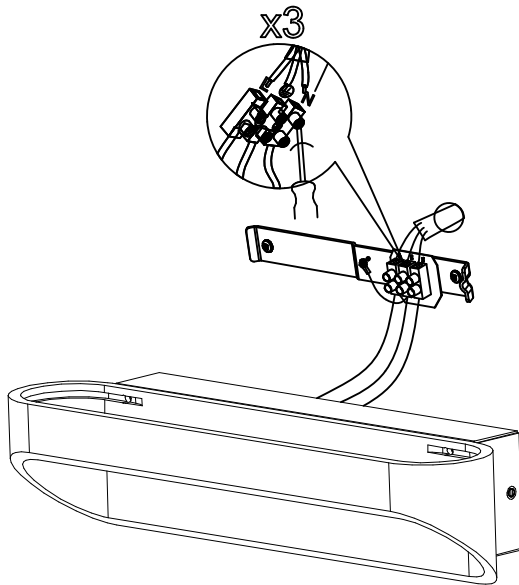
1



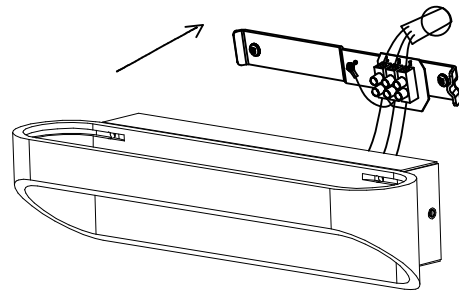
2



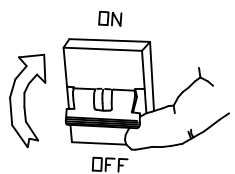
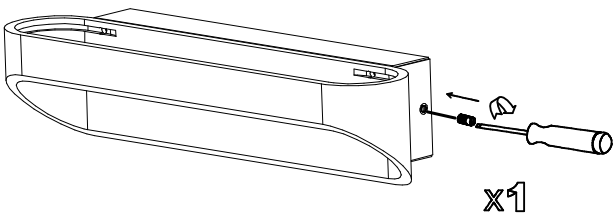
3



4



5



6

