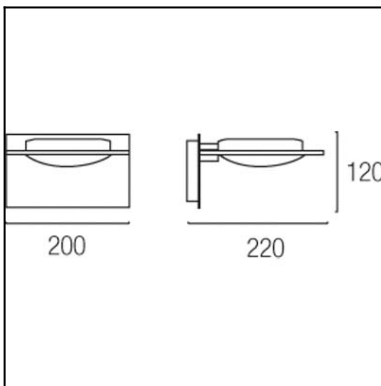


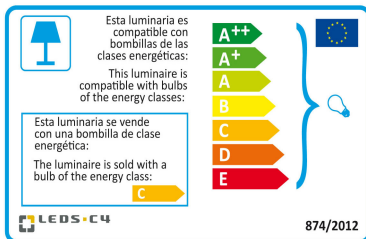
Design by Alex Sanchez



The photograph may not match the reference exactly. Please read the product description to identify the finish.



[Download photometric file .ldt /.ies](#)



[Click on image to download energy label](#)

TECHNICAL CHARACTERISTICS

Type:	Wall fixture
IP Protection degrees:	IP20
Light source 1:	1 x G9 MAX 75W
Bulb included:	1 x G9 60W
Total power consumption (W):	75
Voltage / Frequency:	220-240V/50-60Hz
Warranty (Years):	2
Units per box:	6
Net Weight (Kg):	1.5
EAN:	8435071426336



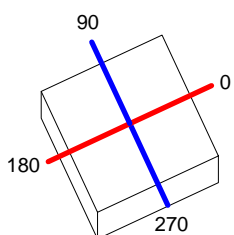
MATERIALS / FINISHES

Structure material:	Steel	Diffuser material:	Glass
Structure finish:	Satin nickel	Diffuser finish:	Tinted

Luminaire		Measur.		Lamp		
Code	05-0325-81-E9	Code	05-0325-81-E9	Code	66675AM	
Name	Aplique DUNA 1x75W G9 opal	Name	Aplique DUNA 1x75W G9 opal	Number	1	
Line	Eulumdat	Date	06-04-2010	Position		
Efficiency	72.04%	Coordinate system	CG	Total Flux	1050.00 lm	
Maximum value	125.11 cd	Position	C=270.00 G=165.00	Sym. on planes	270-90	
Rectangular Luminaire	Length	200 mm	Width	200 mm	Height	50 mm
Rectangular Luminous Area	Length	200 mm	Width	200 mm	Height	50 mm
Horizontal Luminous Area	0.040000 m2	Emitting area on Plane 180°		0.010000 m2		
Emitting area on Plane 0°	0.010000 m2	Emitting area on Plane 270°		0.010000 m2		
Emitting area on Plane 90°	0.010000 m2	Glare area at 76°		0.019380 m2		
Symmetry Type	Sym. on planes 270-90	Maximum Gamma Angle		180		
Measurement Distance	0.00	Measurement Flux		1050.00 lm		
Operator	Asselum	Source voltage				
Temperature	25.00 °C	Source current				
Humidity	60.00 %	Photocell				
Notes						

Luminaire Lamps					
Line	Code	Name	Flux [lm]	Pow. [W]	Q.ty
Eulumdat	66675AM	66675AM - 75.00 W	1050.00	75.00	1
C.I.E.	45 74 91 45 72	D DIN 5040			
F UTE	0.32 E + 0.40 T	B NBN			
		C32			
		BZ 5			

200mm x 200mm



C Halfplanes

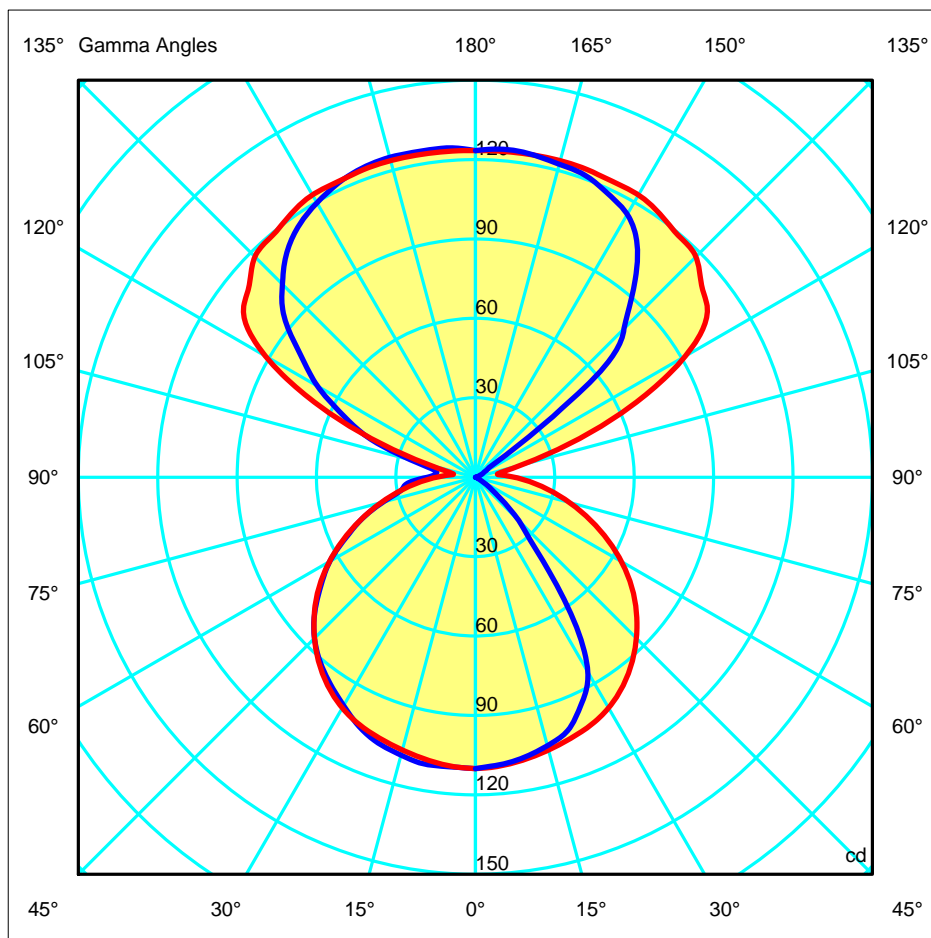
270.0 ——— 0.0

180.0 ——— 90.0

ULOR 39.88 %

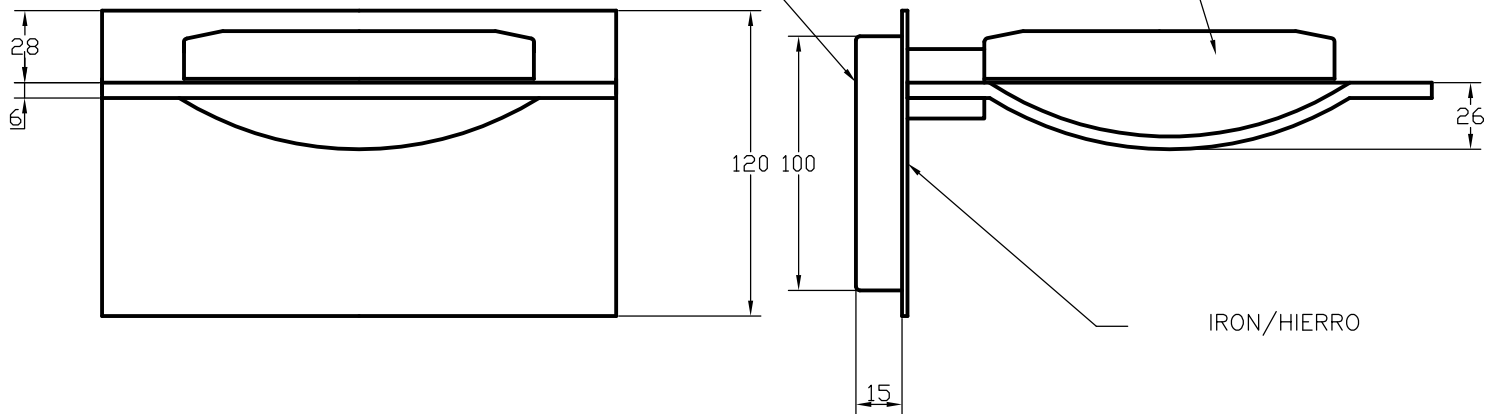
DLOR 32.17 %

RN 55.35 %

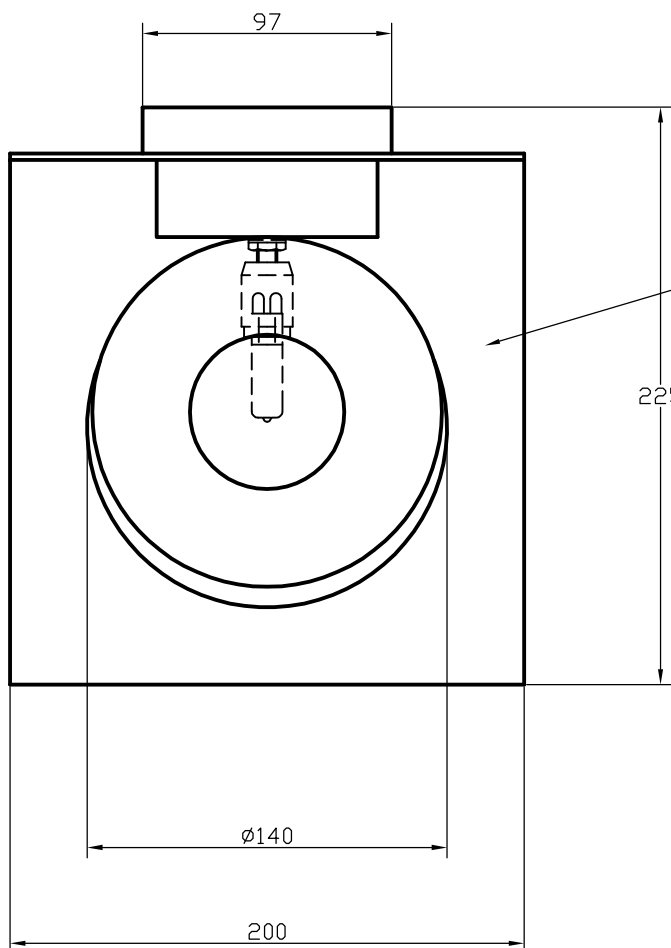


IRON/HIERRO

ALUMINIUM/ALUMINIO



IRON/HIERRO



OPTIC GLASS/CRISTAL OPTICO

