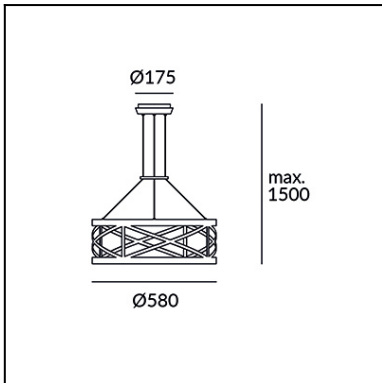


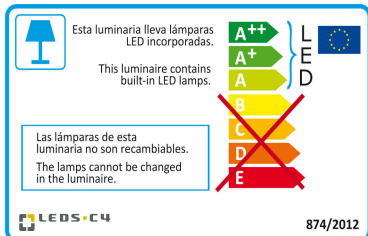
Design by Manel Llusçà



The photograph may not match the reference exactly. Please read the product description to identify the finish.



Download photometric file .ldt /.ies



Click on image to download energy label

TECHNICAL CHARACTERISTICS

Type:	Pendant
IP Protection degrees:	IP20
Light source 1:	160 x LED
Bulb specified at the product label	29.8W Warm White - 2700K 4130 lm ^(N) CRI 80
Total power consumption (W):	33.8
Voltage / Frequency:	220-240VAC/50-60Hz
Warranty:	2
Option to extend the guarantee:	5
Units per box:	2
Net Weight (Kg):	4.015
EAN Code:	8435381463502



MATERIALS / FINISHES

Structure material: Steel
Extruded aluminium

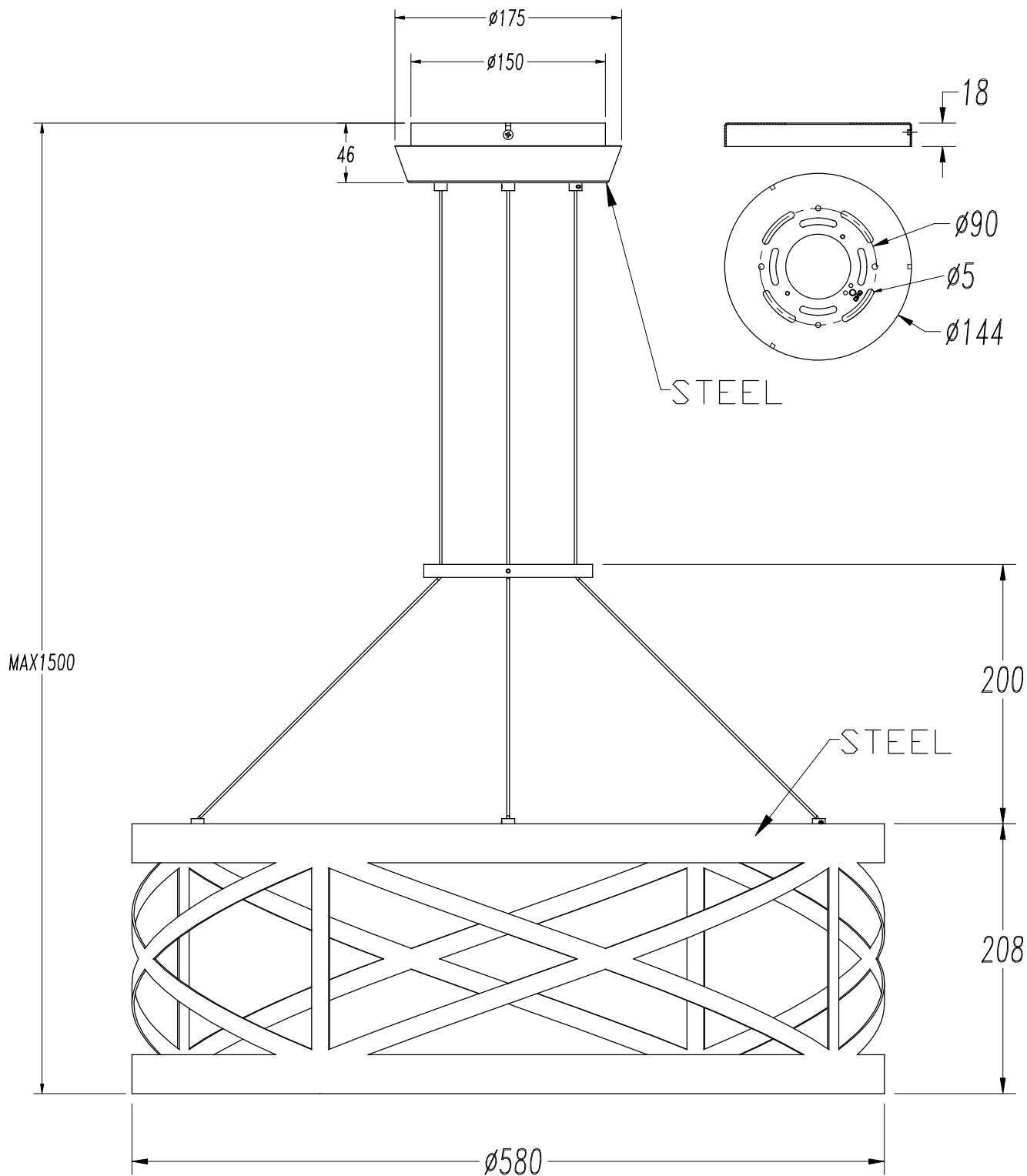
Structure finish: Black
Black

Diffuser material: Methacrylate

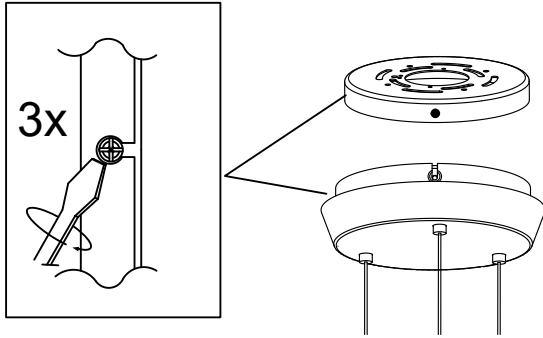
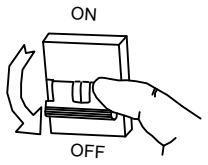
Diffuser finish: Sandblasted

GEAR

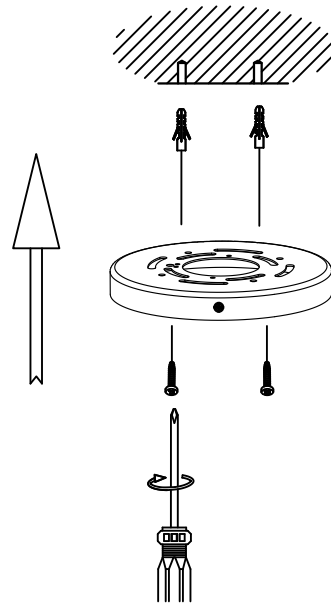
Gear included: Yes, electronic
Dimming protocol: Phase cut



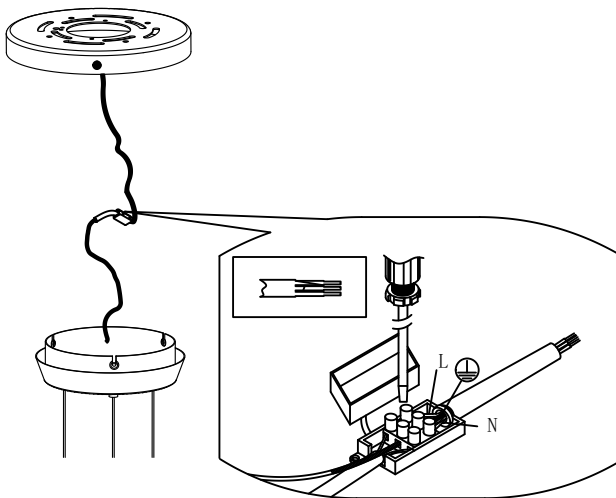
1



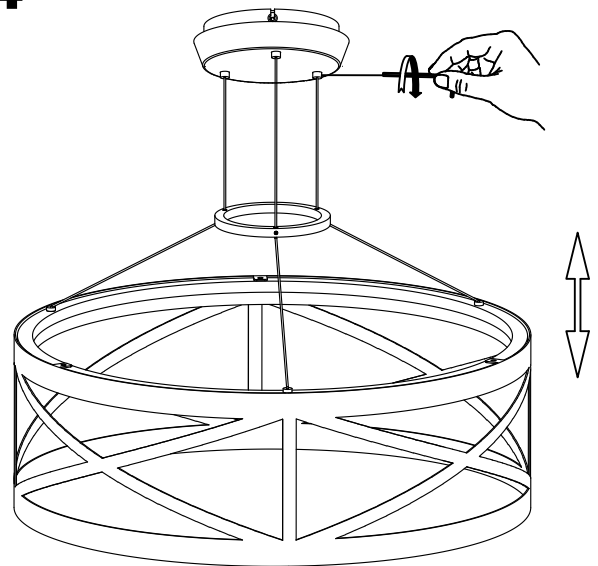
2



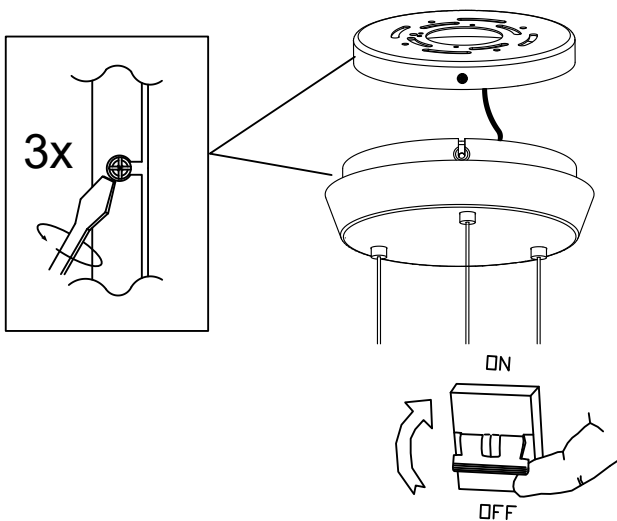
3



4



5



6

