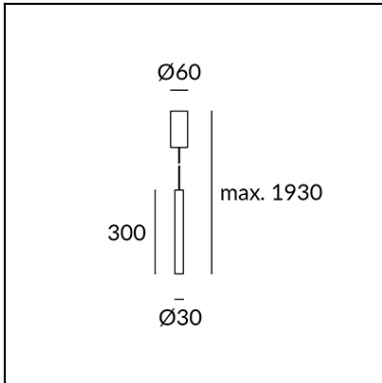
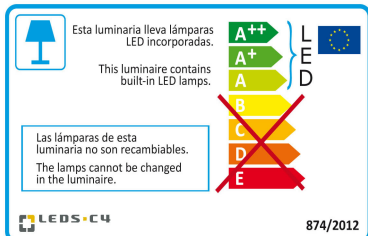


The photograph may not match the reference exactly. Please read the product description to identify the finish.



[Download photometric file .ldt /.ies](#)



[Click on image to download energy label](#)

TECHNICAL CHARACTERISTICS

Type:	Pendant
IP Protection degrees:	IP20
Light source 1: Bulb specified at the product label	1 x LED Sharp 7.5W Warm White - 3000K 730 lm ^(N) CRI 82
Total power consumption (W):	9,7
Angle of the optics / Reflector:	
Voltage / Frequency:	100-240V/50-60Hz
Warranty:	2
Option to extend the guarantee:	5
Units per box:	20
Net Weight (Kg):	
CFM:	0.00



MATERIALS / FINISHES

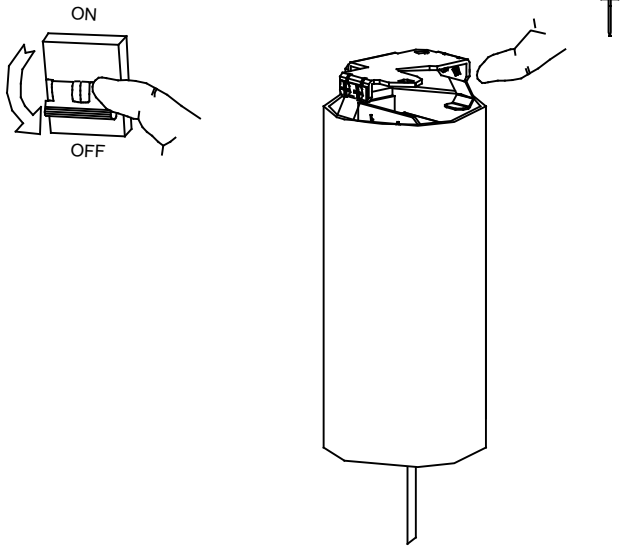
Structure material: Aluminium

Structure finish: Matt white

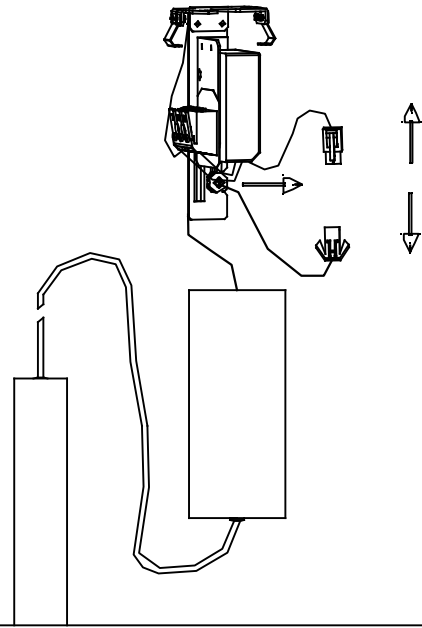
GEAR

Multi-voltage electronic gear included (Yes)

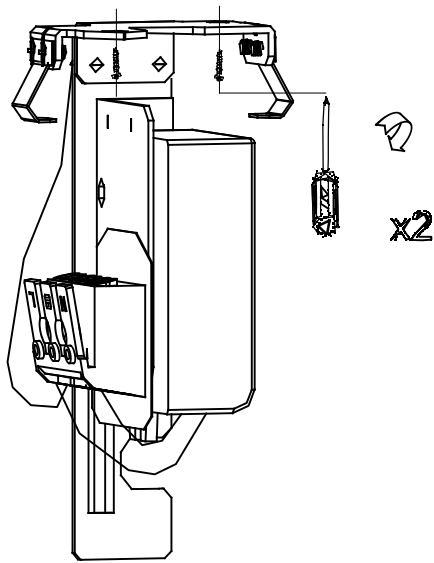
1



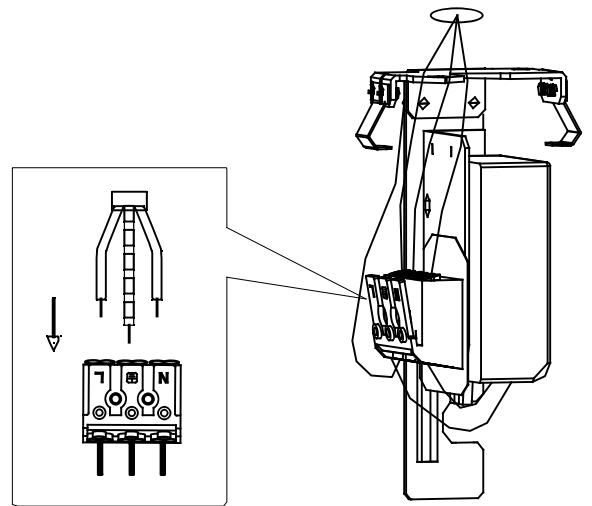
2



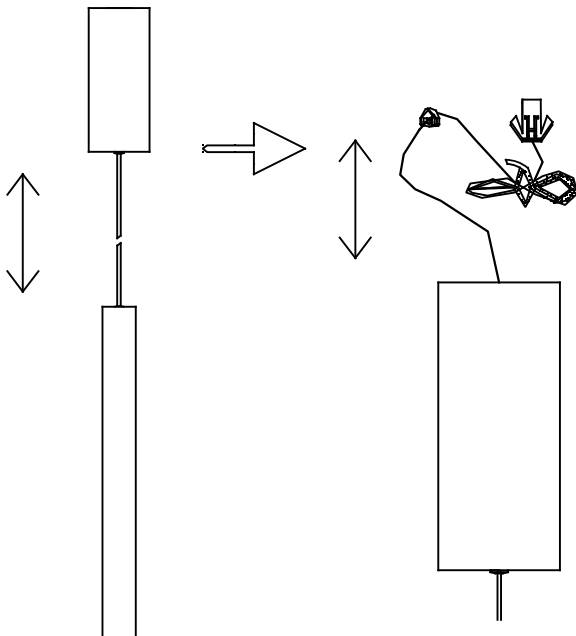
3



4



5



6

