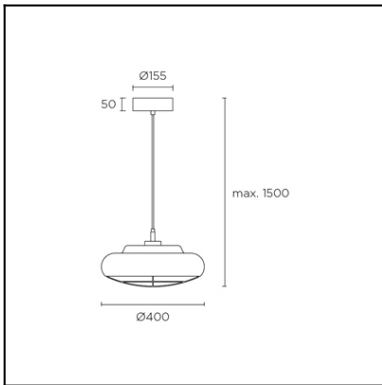


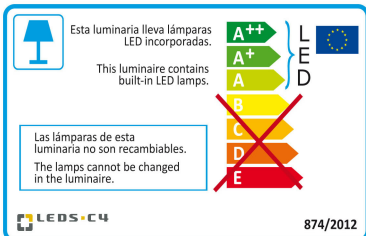
Design by NAHTRANG



The photograph may not match the reference exactly. Please read the product description to identify the finish.



Download photometric file .ldt / .ies



Click on image to download energy label

TECHNICAL CHARACTERISTICS

Type:	Pendant
IP Protection degrees:	IP20
Light source 1:	1 x LED Cree 26,6W Warm White - 2700K 2700 lm ^(N) CRI 80
Total power consumption (W):	22,7W
Voltage / Frequency:	100-240V/50-60Hz
Warranty (Years):	2
Option to extend the guarantee (Years):	5
Units per box:	2
Net Weight (Kg):	2.54
EAN:	8435381438166



MATERIALS / FINISHES

Structure material:	Aluminium	Diffuser material:	Acrylic
Structure finish:	Urban grey	Diffuser finish:	Matt opal

GEAR

Multi-voltage electronic gear included (100-240V / 50-60Hz)

Lm^(N): Nominal flow of light in actual working conditions. Its actual flow will depend on the environmental conditions and the efficiency of the optics and/or diffuser.

LEDS-C4 reserves the right to make the necessary technical changes they deem adequate, in order to improve the features of the product.

Please consult the sales team to clarify any doubt.

Luminaire

Code 00-5297-14-23
Name Colgante DECORATIVE led 26.6W

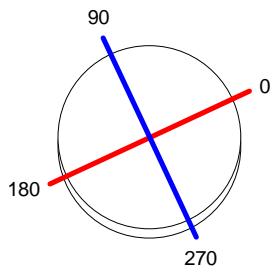
Measurerm.

Code 00-5297-14-23
Name Colgante DECORATIVE led 26.6W

Luminaire Flux	1574.91 lm	Luminaire Power	27.00 W	Efficacy	58.33 lm/W	Efficiency	100.00%
Lamps Flux	1574.91 lm	Maximum value	535.64 cd	Position	C=0.00 G=0.00	CG	Double Symmetrical
Round Luminaire Round Luminous Area		Diam. Diam.	400 mm 370 mm	Height Height	120 mm 0 mm		
Horizontal Luminous Area Emitting area on Plane 0° Emitting area on Plane 90°		0.107521 m2 0.000000 m2 0.000000 m2		Emitting area on Plane 180° Emitting area on Plane 270° Glare area at 76°		0.000000 m2 0.000000 m2 0.026012 m2	
Coordinate system Date Measurement Distance		CG 11-03-2016 6.44		Symmetry Type Maximum Gamma Angle Measurement Flux		Double Symmetrical 90 1574.91 lm	
Operator Temperature Humidity Notes		Asselum T2 24.00 °C 40.00 %		Source voltage Source current Photocell		230.00 V Prc	

Line		Code		Luminaire Lamps		Flux [lm]	Pow. [W]	Q.ty
- LEDS C4 LEDS		00-5297-14-23		Name Lámpara led 26.6W 2700K		1574.91	27.00	1
C.I.E.	46 78 95 100 100			D DIN 5040		A30		
F UTE	1.00 E			B NBN		BZ 5		

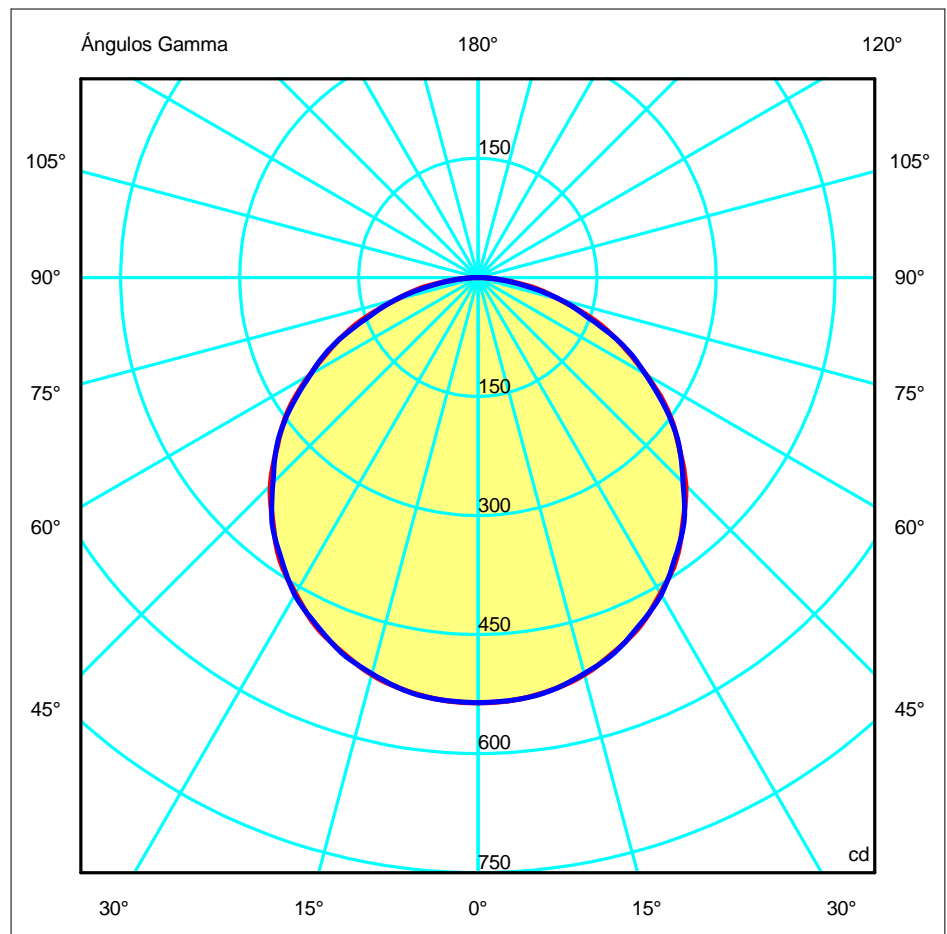
Diam=400mm

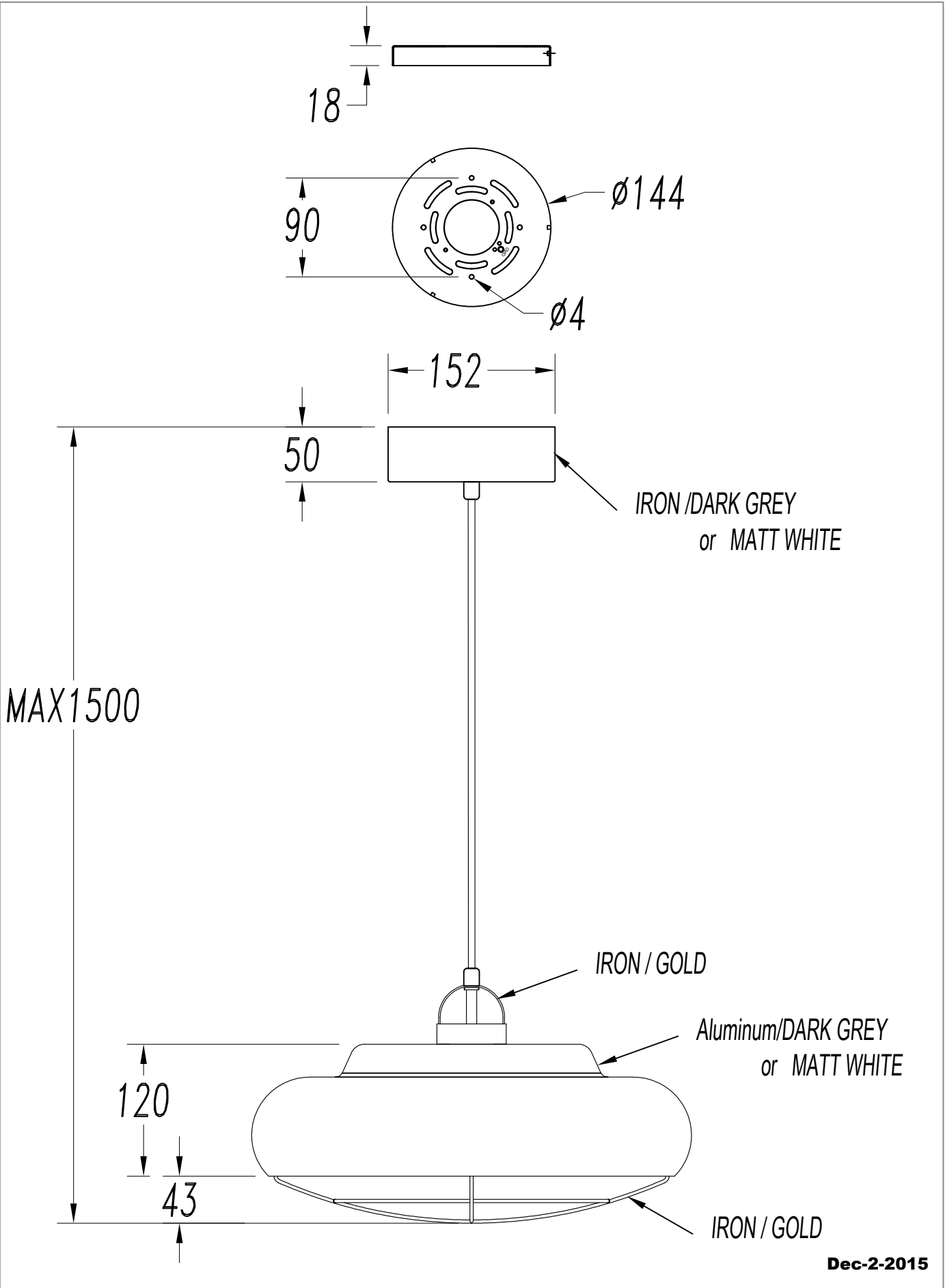


Semiplanos C

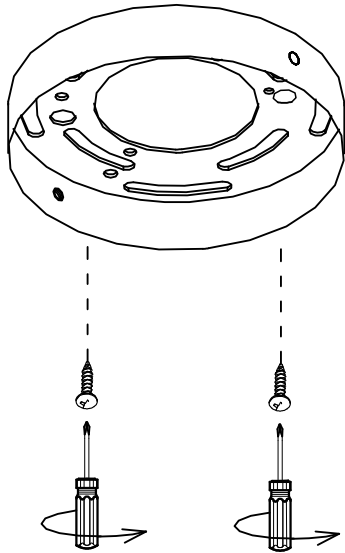
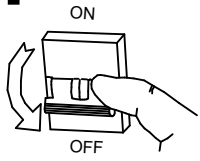
180.0 — 0.0
270.0 — 90.0

ULOR 0.00 %
DLOR 100.00 %
RN 0.00 %

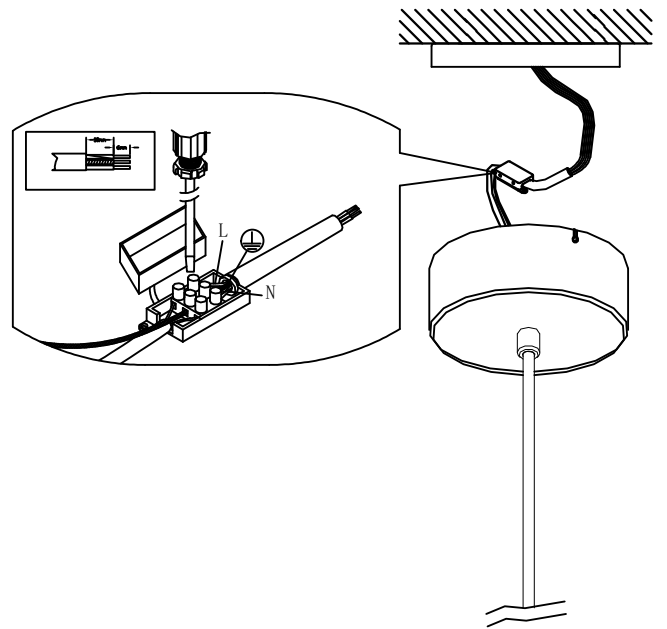




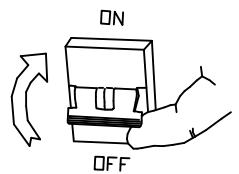
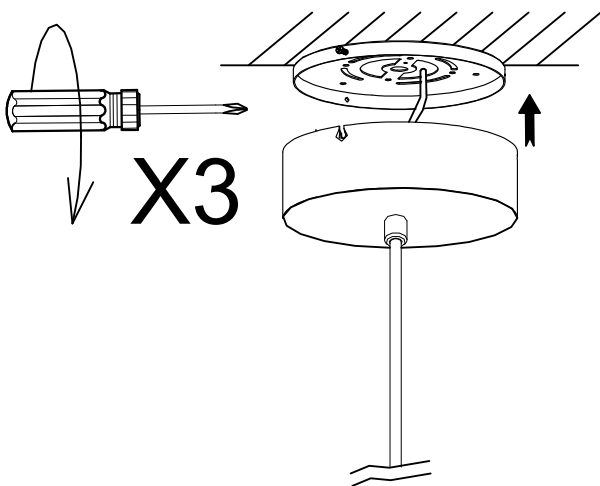
1



2



3



4

