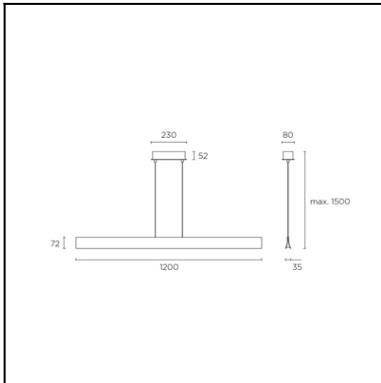
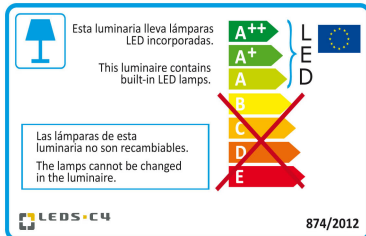




The photograph may not match the reference exactly. Please read the product description to identify the finish.



[Download photometric file .ldt / .ies](#)



Click on image to download energy label

### TECHNICAL CHARACTERISTICS

Type:	Pendant
IP Protection degrees:	IP20
Light source 1:	144 x LED Samsung 39.3W Warm White - 3000K 4256 lm <sup>(N)</sup> CRI 80
Voltage / Frequency:	100-240V/50-60Hz
Warranty (Years):	2
Option to extend the guarantee (Years):	5
Units per box:	4
Net Weight (Kg):	1.875
EAN:	8435381425777



### MATERIALS / FINISHES

<b>Structure material:</b>	Aluminium	<b>Diffuser material:</b>	Acrylic
<b>Structure finish:</b>	Painted gold	<b>Diffuser finish:</b>	Matt opal

### GEAR

Multi-voltage electronic gear included (100-240V / 50-60Hz)

Lm<sup>(N)</sup>: Nominal flow of light in actual working conditions. Its actual flow will depend on the environmental conditions and the efficiency of the optics and/or diffuser.

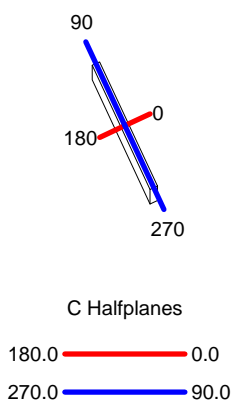
LEDS-C4 reserves the right to make the necessary technical changes they deem adequate, in order to improve the features of the product.

Please consult the sales team to clarify any doubt.

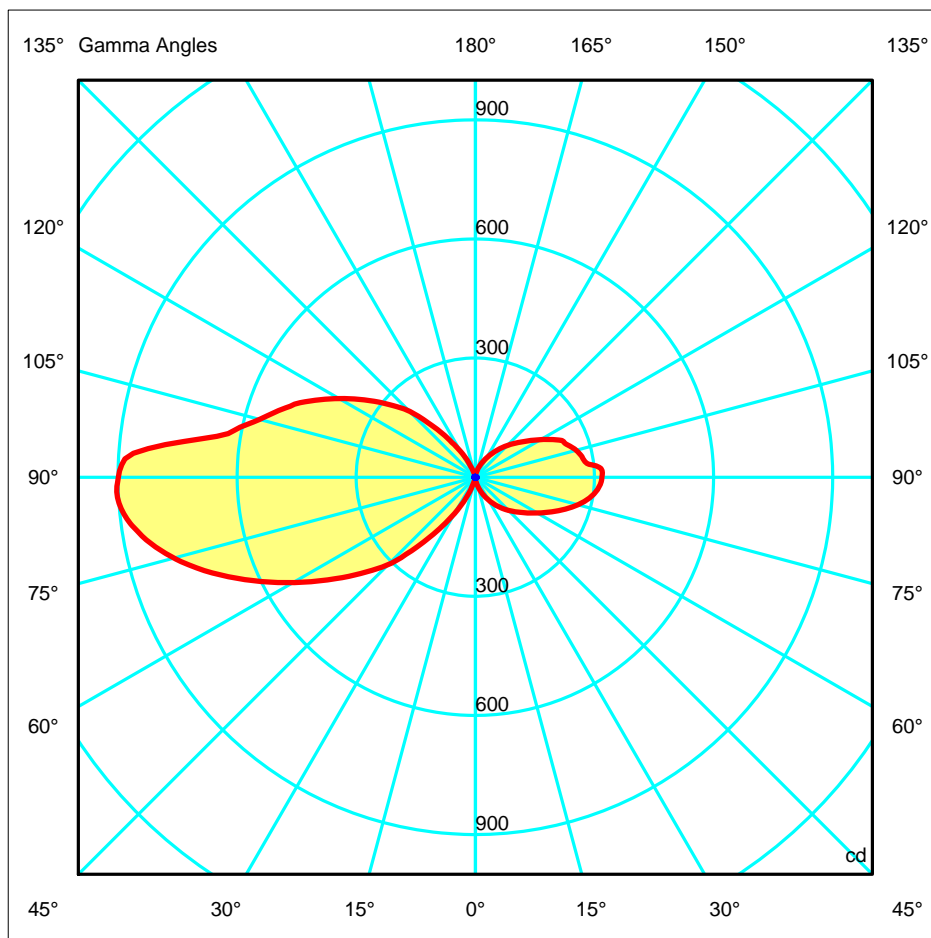
<b>Luminaire</b>		<b>Measur.</b>		<b>Lamp</b>		
Code	00-4925	Code	00-4925	Code	LED	
Name	LED PENDANT LAMP	Name	LED PENDANT LAMP	Number	1	
Line	Eulumdat	Date	07-02-2015	Position		
Efficiency	47.33%	Coordinate system	CG	Total Flux	4256.00 lm	
Maximum value	903.86 cd	Position	C=180.00 G=88.00	Asymmetrical		
Rectangular Luminaire	Length	1200 mm	Width	72 mm	Height	1500 mm
Rectangular Luminous Area	Length	1200 mm	Width	72 mm	Height	1500 mm
Horizontal Luminous Area	0.086400 m2	Emitting area on Plane 180°		1.800000 m2		
Emitting area on Plane 0°	1.800000 m2	Emitting area on Plane 270°		0.108000 m2		
Emitting area on Plane 90°	0.108000 m2	Glare area at 76°		1.767434 m2		
Symmetry Type	Asymmetrical	Maximum Gamma Angle		180		
Measurement Distance	0.00	Measurement Flux		4256.00 lm		
Operator		Source voltage				
Temperature	25.00 °C	Source current				
Humidity	60.00 %	Photocell				
Notes						

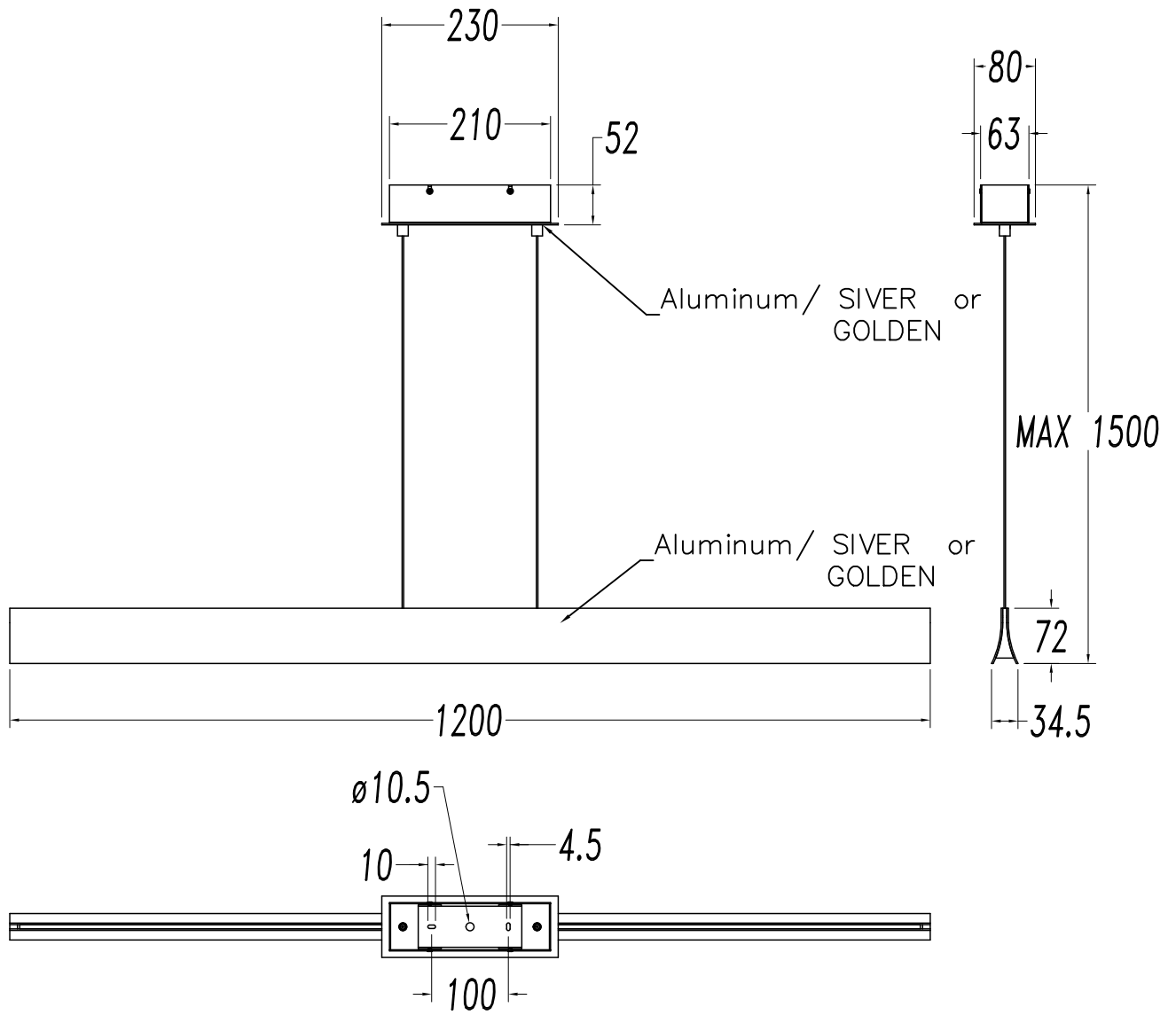
Line		Code		Luminaire Lamps		Flux [lm]	Pow. [W]	Q.ty
Eulumdat		LED		Name				
				LED - 42.50 W		4256.00	42.50	1
C.I.E.	6 26 58 54 47			D DIN 5040		C11		
F UTE	--			B NBN		BZ 10		

1200mm x 72mm

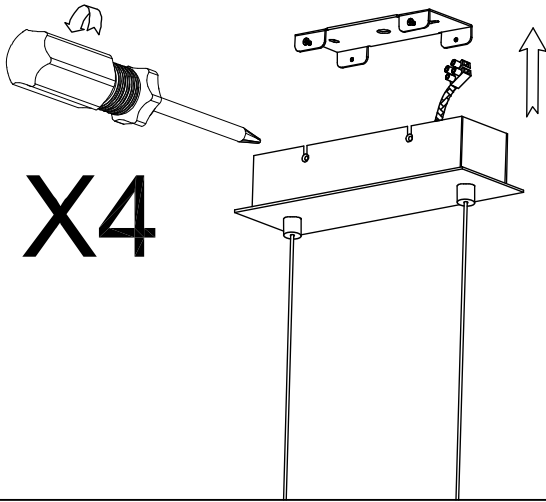


ULOR 21.60 %  
DLOR 25.73 %  
RN 45.63 %

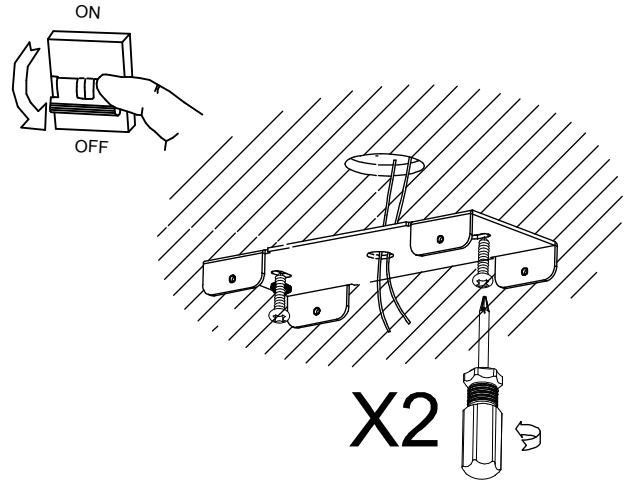




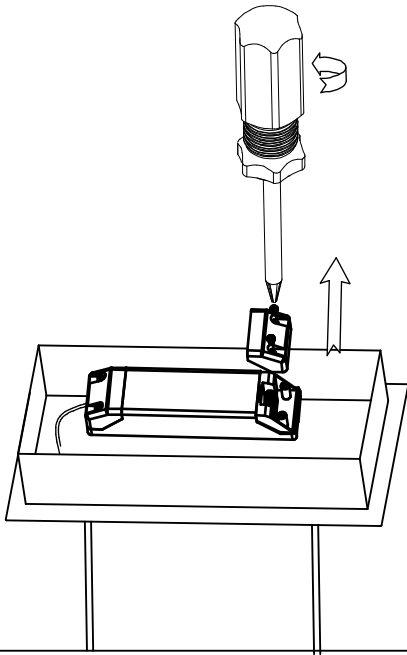
1



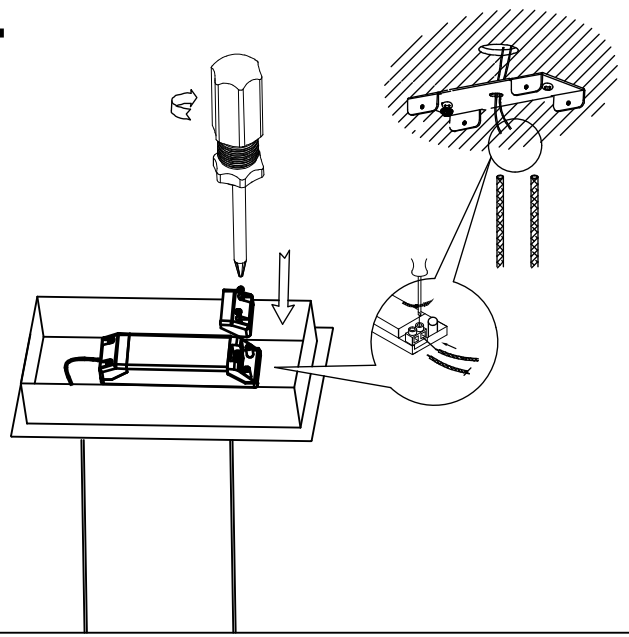
2



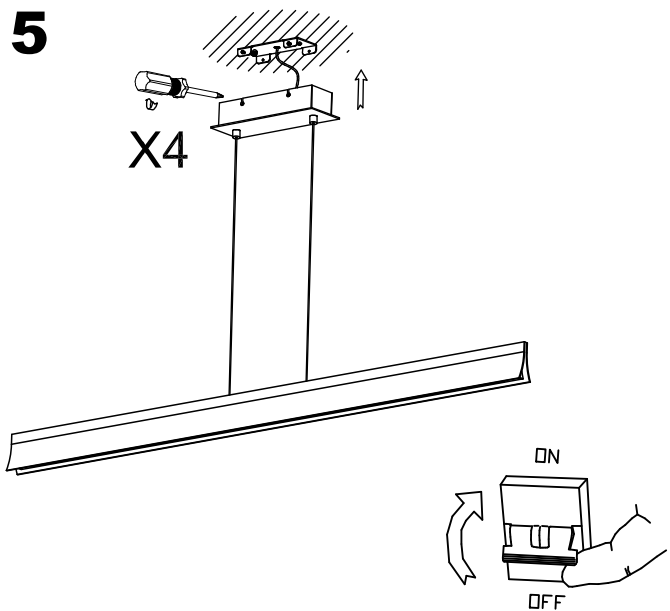
3



4



5



6

