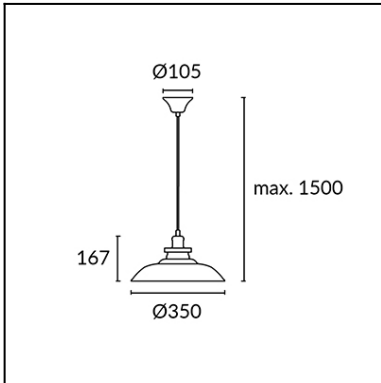
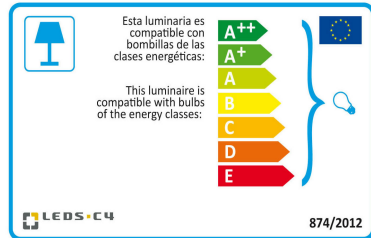




The photograph may not match the reference exactly. Please read the product description to identify the finish.



[Download photometric file .ldt / .ies](#)



[Click on image to download energy label](#)

TECHNICAL CHARACTERISTICS

Type:	Pendant
IP Protection degrees:	IP20
Light source 1:	1 x E27 MAX 100W Maximum lamp length: 130.00 mm Maximum lamp diameter: 75.00 mm
Total power consumption (W):	60
Voltage / Frequency:	220-240V/50-60Hz
Warranty (Years):	2
Units per box:	4
Net Weight (Kg):	1.945
EAN:	8435381424633



MATERIALS / FINISHES

Structure material:	Steel	Diffuser material:	Glass
Structure finish:	Patine	Diffuser finish:	Transparent

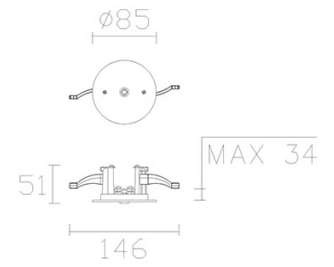
71-4850-14-14

**Structure material:**

Aluminium

Structure finish:

White

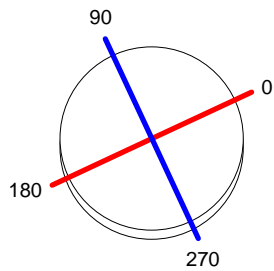


IP20

Luminaire		Measur.		Lamp	
Code	00-4850-E4-37	Code	00-4850-E4-37	Code	STANDAR GOC 100W O
Name	Colgante VINTAGE 100W A55 E27	Name	Colgante VINTAGE 100W A55 E27	Number	1
Line	- LEDS-C4	Date	09-04-2015	Position	Universal
Efficiency	88.95%	Coordinate system	CG	Total Flux	1340.00 lm
Maximum value	285.13 cd	Position	C=0.00 G=0.00	Double Symmetrical	
Round Luminaire	Diam.	350 mm	Height	167 mm	
Round Luminous Area	Diam.	350 mm	Height	100 mm	
Horizontal Luminous Area	0.096211 m2	Emitting area on Plane 180°	0.035000 m2		
Emitting area on Plane 0°	0.035000 m2	Emitting area on Plane 270°	0.035000 m2		
Emitting area on Plane 90°	0.035000 m2	Glare area at 76°	0.057236 m2		
Symmetry Type	Double Symmetrical	Maximum Gamma Angle	180		
Measurement Distance	6.44	Measurement Flux	1271.12 lm		
Operator	Asselum T2	Source voltage	230.00 V		
Temperature	20.00 °C	Source current			
Humidity	47.00 %	Photocell	Prc		
Notes					

Luminaire Lamps						
Line	Code	Name	Flux [lm]	Pow. [W]	Q.ty	
PHILIPS 2005 ILCOS IA,IB,IC	STANDAR GOC 100W O	STANDAR GOCCIA 100W E27 OPALE	1340.00	100.00	1	
C.I.E.	34 60 81 64 89	D DIN 5040				
F UTE	0.57 H + 0.32 T	B NBN				B21 BZ 6 / 4 / BZ 7

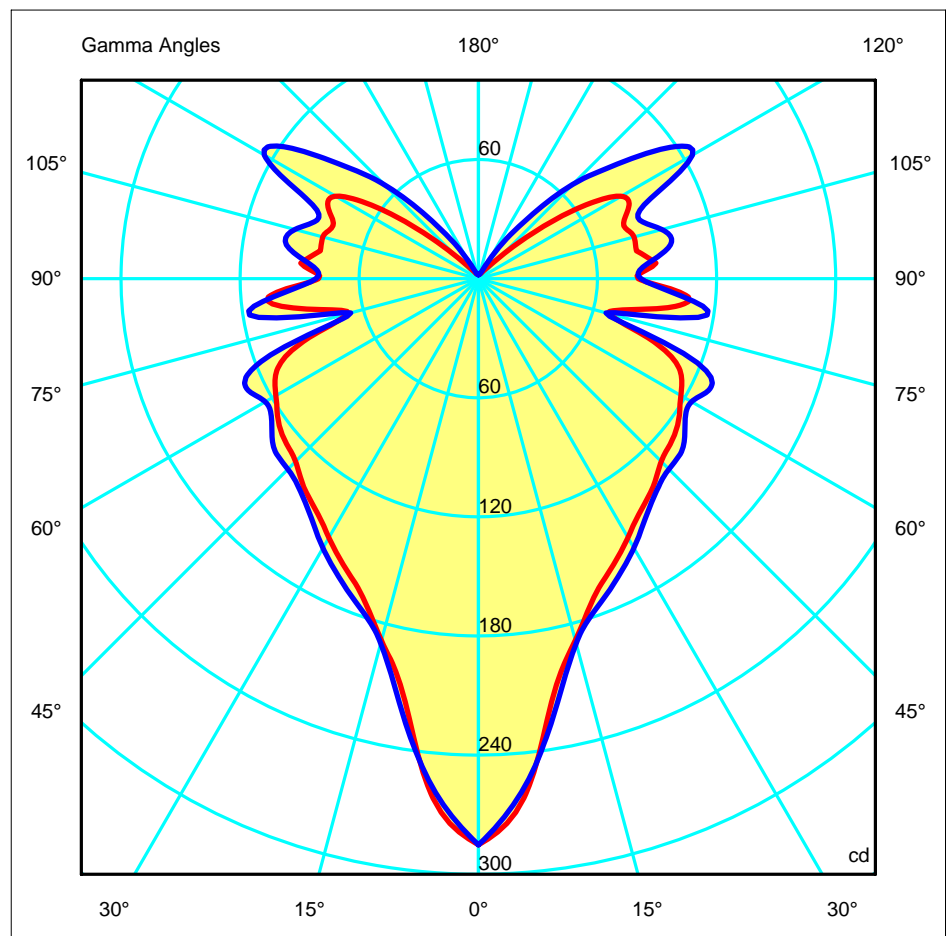
Diam=350mm

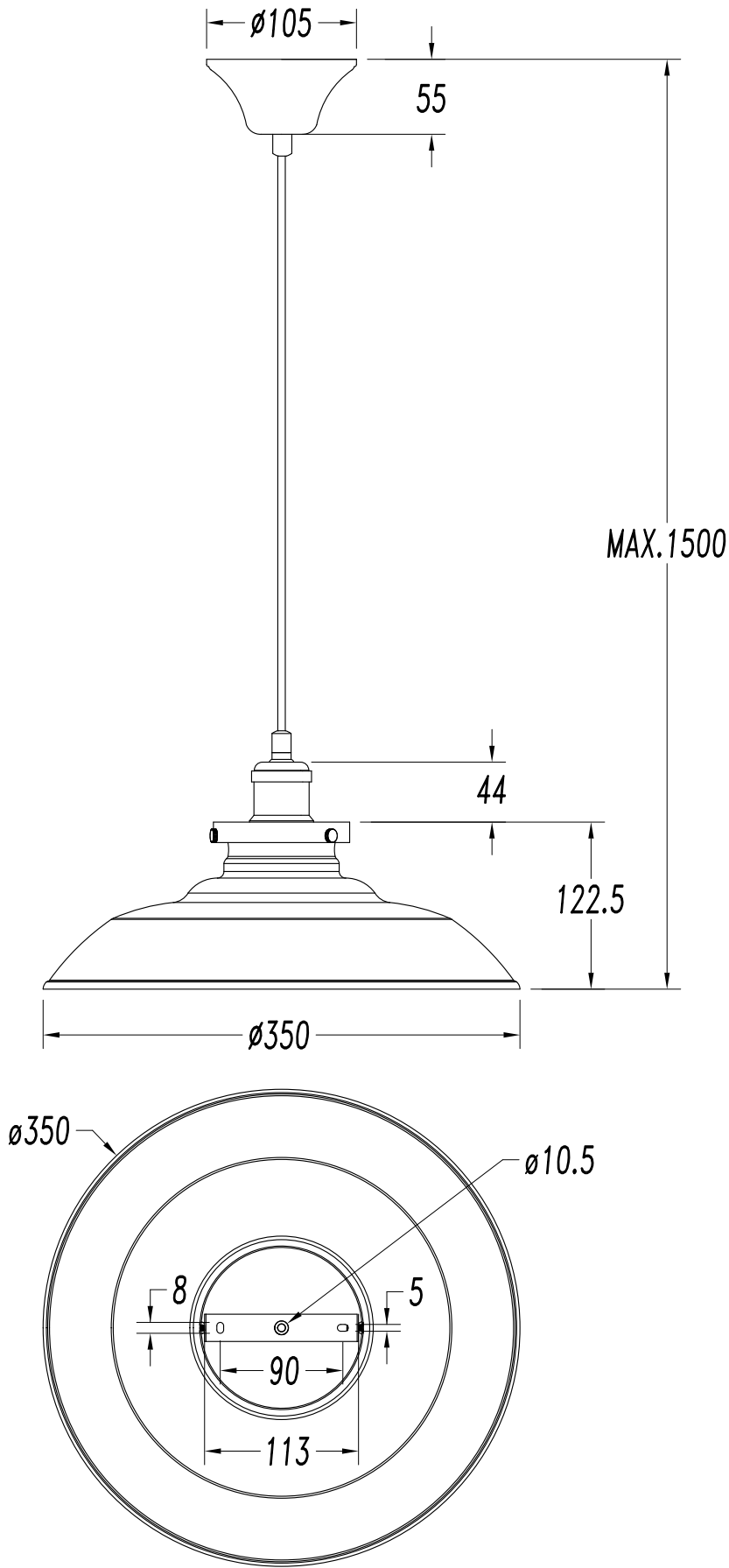


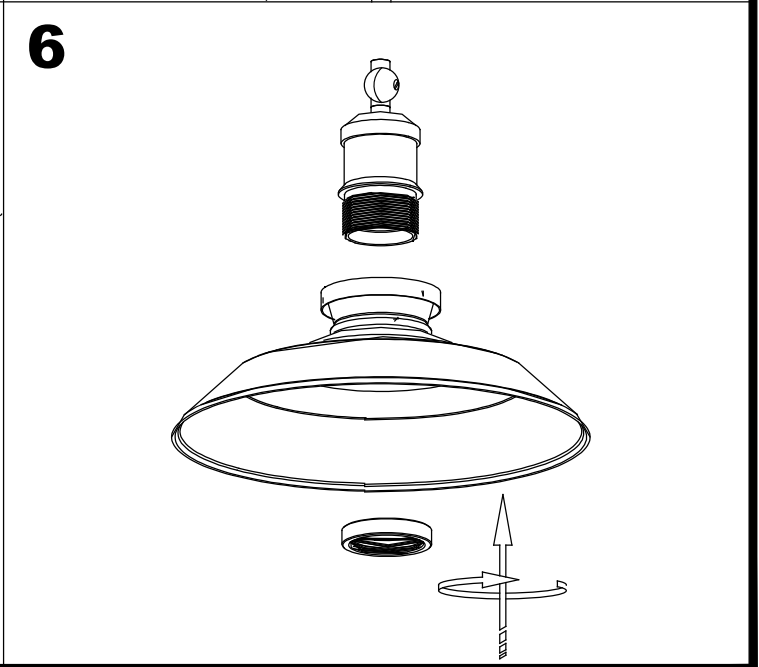
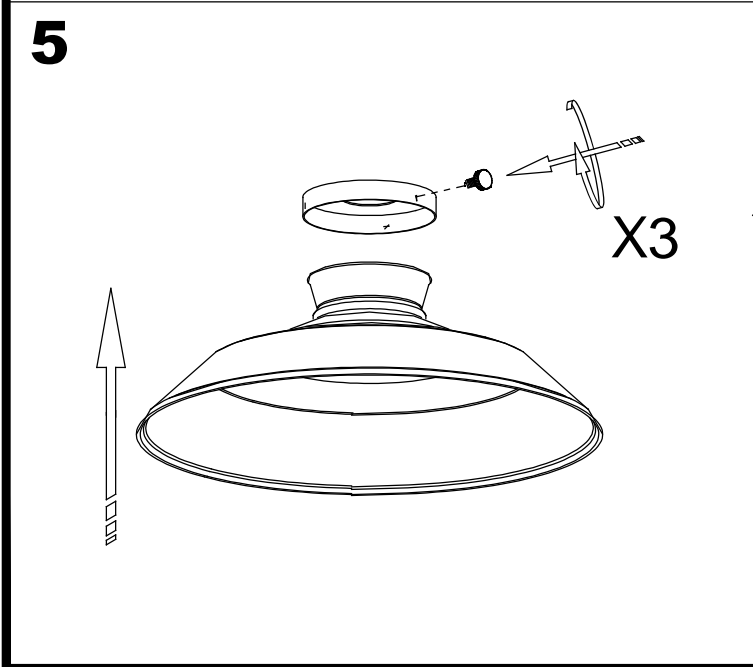
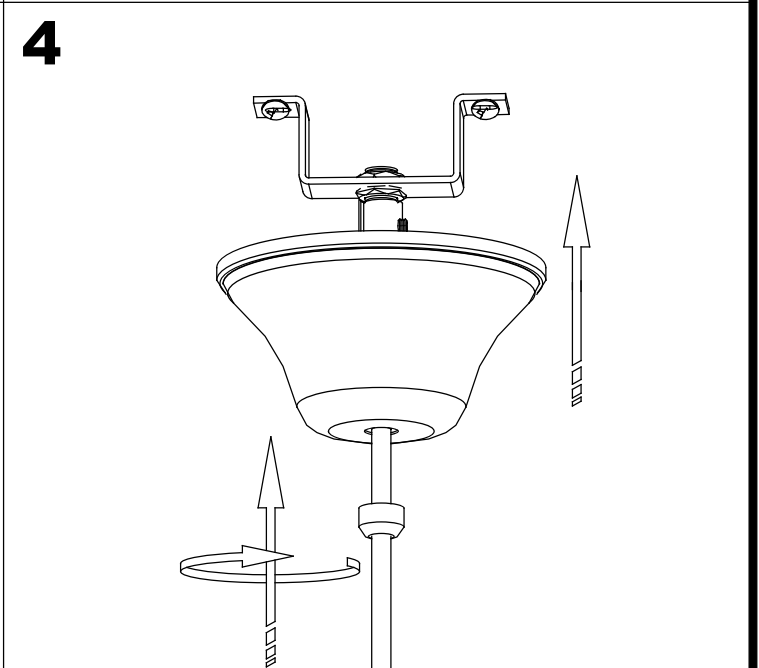
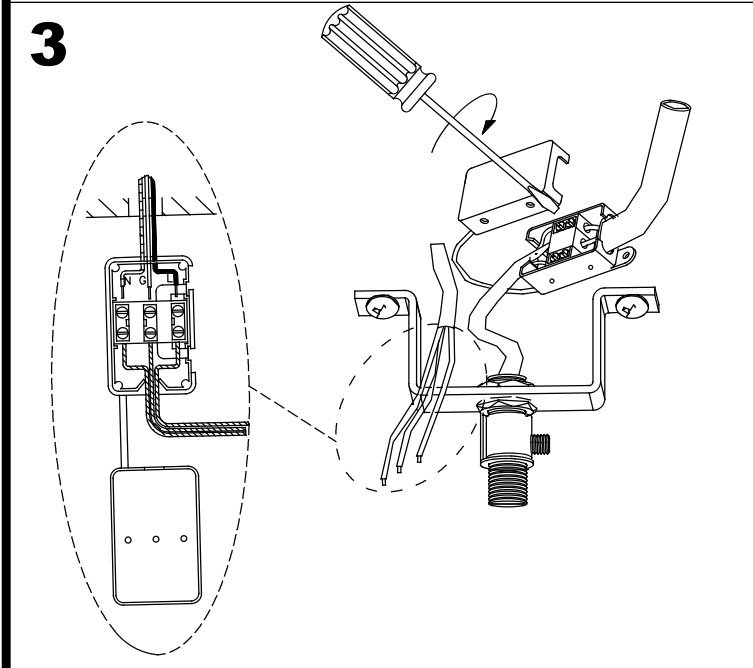
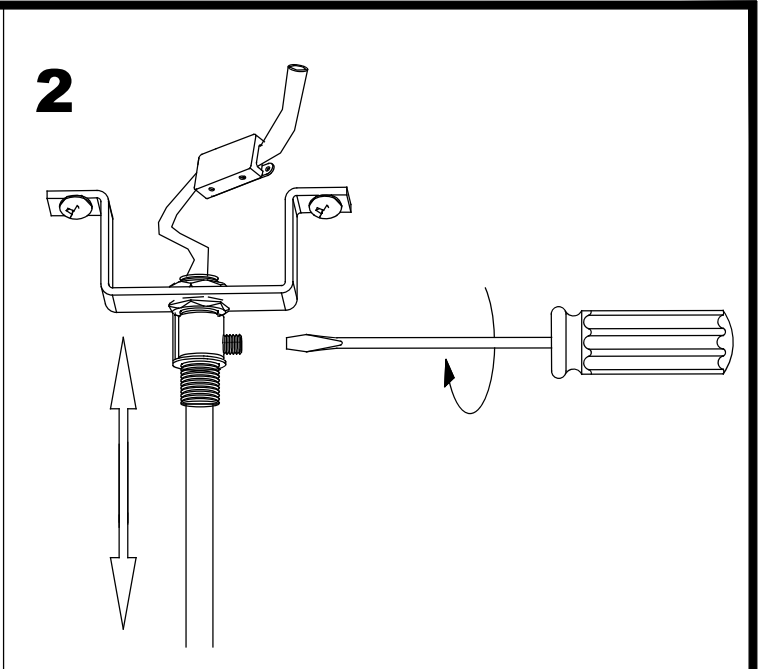
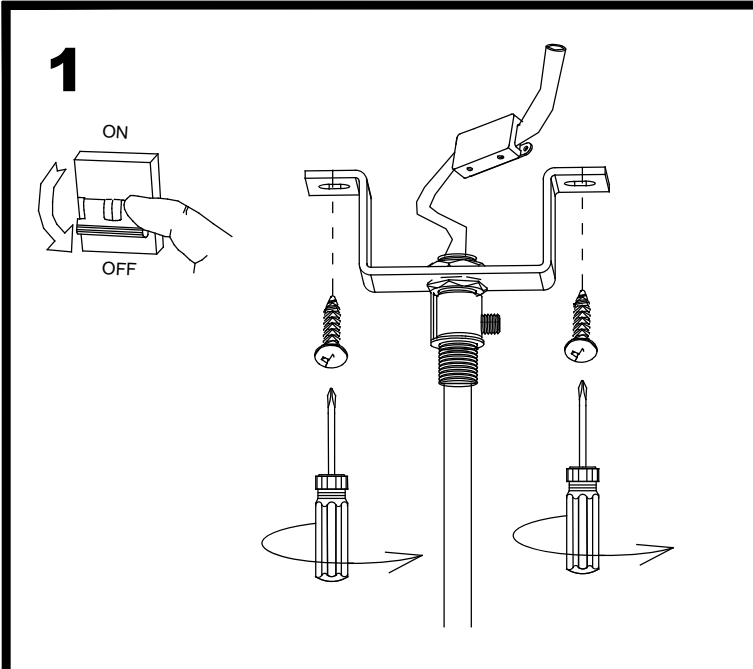
C Halfplanes

180.0 — 0.0
270.0 — 90.0

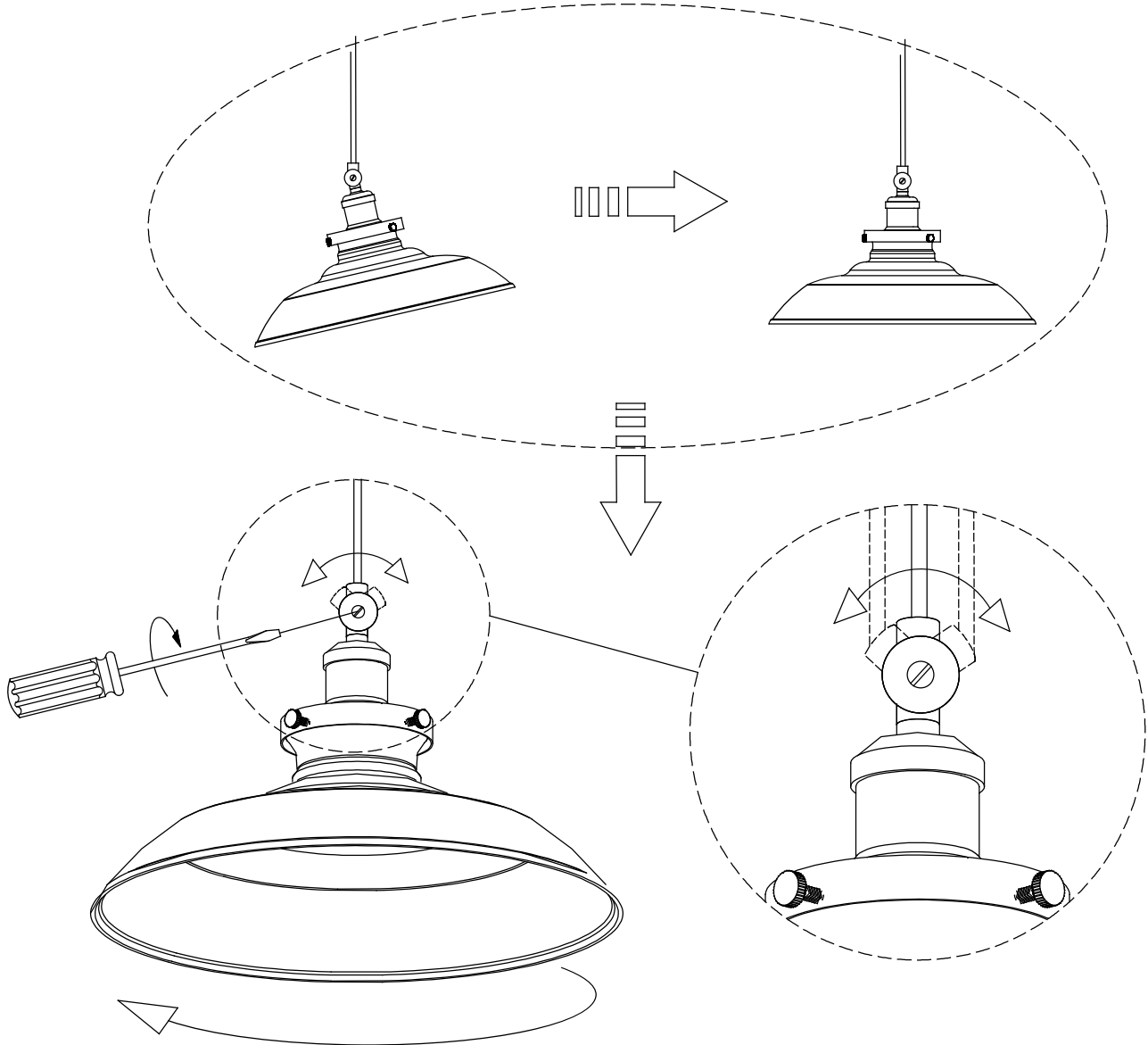
ULOR 31.78 %
DLOR 57.17 %
RN 35.73 %







7



8

