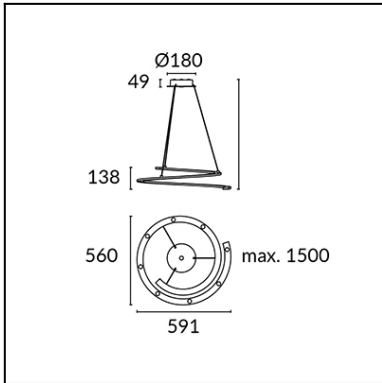
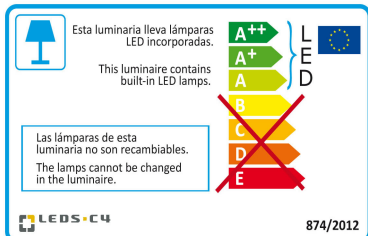




The photograph may not match the reference exactly. Please read the product description to identify the finish.



[Download photometric file .ldt /.ies](#)



[Click on image to download energy label](#)

TECHNICAL CHARACTERISTICS

Type:	Pendant
IP Protection degrees:	IP20
Light source 1: Bulb specified at the product label	8 x LED Cree 24W Warm White - 3000K 1296 lm ^(N) CRI 80
Voltage / Frequency:	100-240V/50-60Hz
Warranty:	2
Option to extend the guarantee:	5
Units per box:	4
Net Weight (Kg):	2.000
EAN Code:	8435381425807



MATERIALS / FINISHES

Structure material: Aluminium

Structure finish: Matt white

Diffuser material: Polycarbonate

Diffuser finish: Tinted

GEAR

Multi-voltage electronic gear included (Yes)