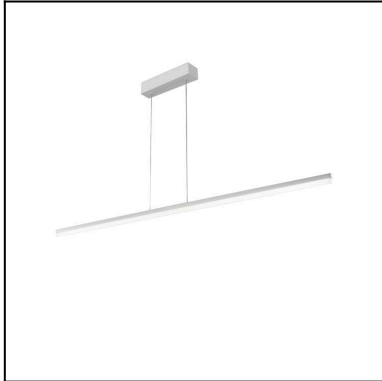
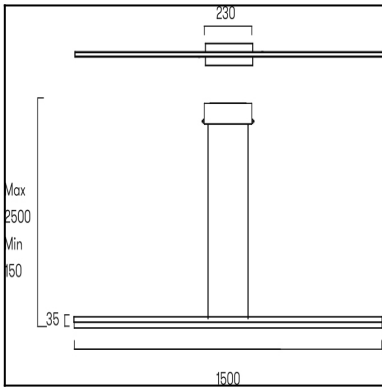
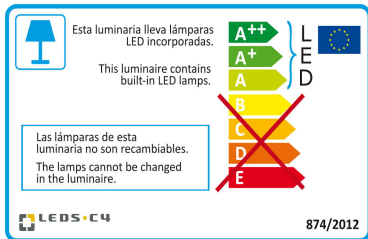


Design by GROK Team


The photograph may not match the reference exactly. Please read the product description to identify the finish.



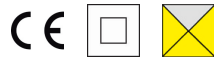
Download photometric file .ldt /.ies



Click on image to download energy label

TECHNICAL CHARACTERISTICS

Type:	Pendant
IP Protection degrees:	IP20
Light source 1: Bulb specified at the product label	441 x LED Refond 27W Warm White - 3000K 2592 lm ^(N) CRI 80
Voltage / Frequency:	100-240VAC/50-60Hz
Warranty:	2
Option to extend the guarantee:	5
Units per box:	1
Net Weight (Kg):	2.290
EAN Code:	8435381434335


MATERIALS / FINISHES

Structure material: Aluminium

Structure finish: Matt white

Diffuser material: Methacrylate

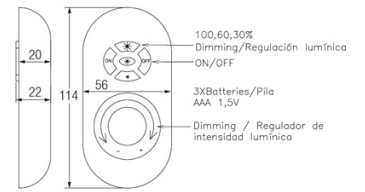
Diffuser finish: Tinted

GEAR

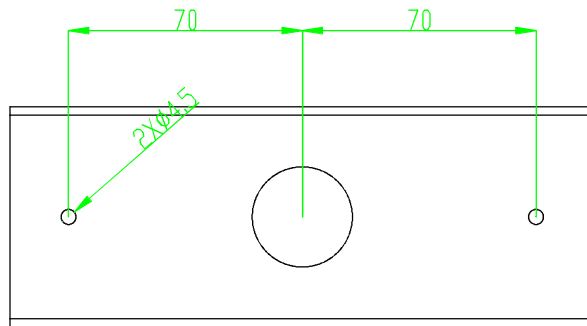
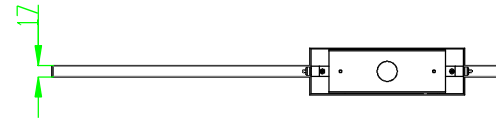
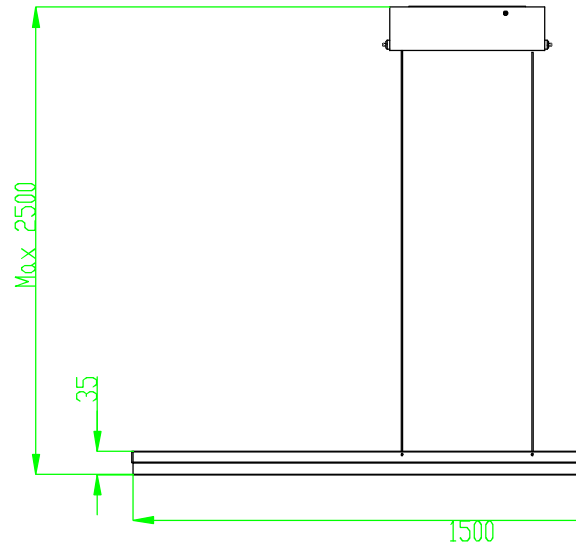
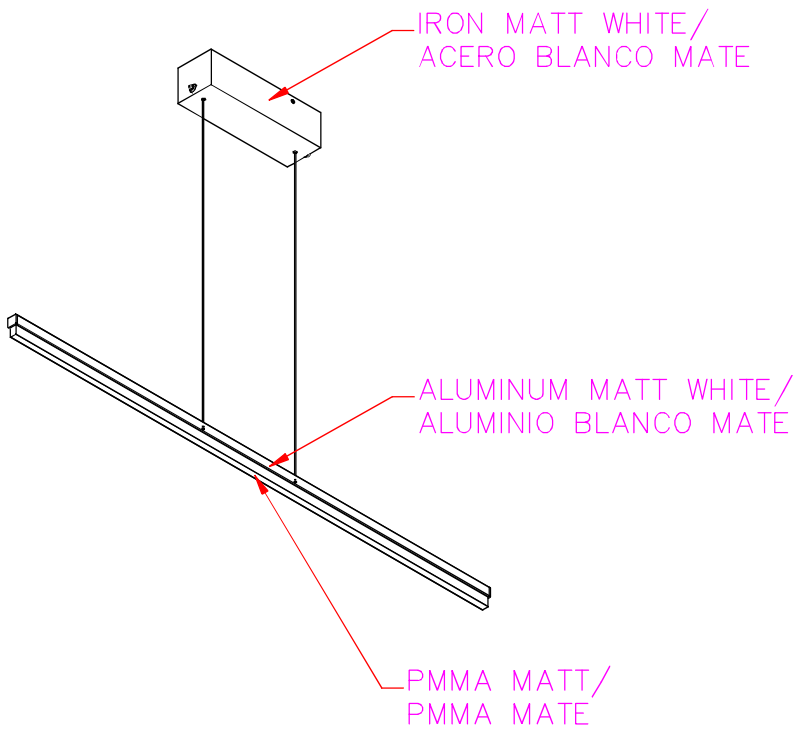
Multi-voltage electronic gear included (Yes)

71-2241-00-00

Controller with remote control

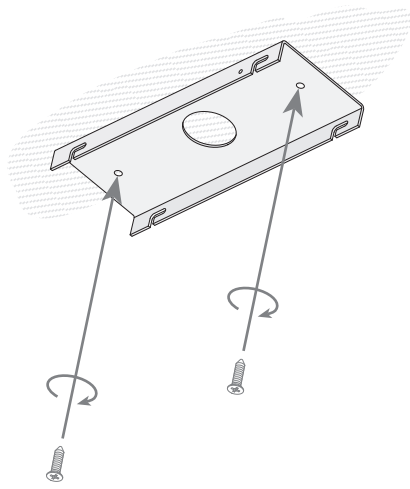


IP20

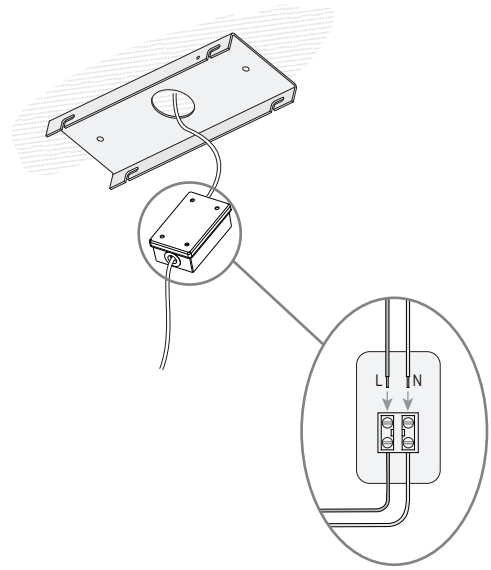


11/10/13

1

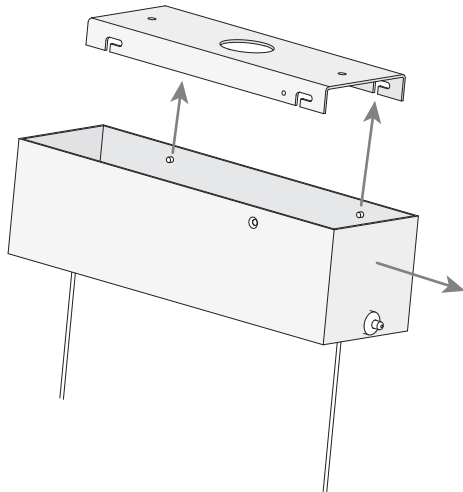


2

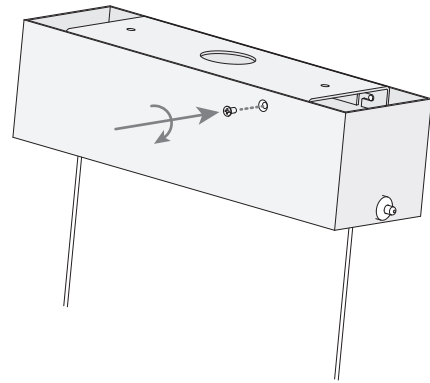


3

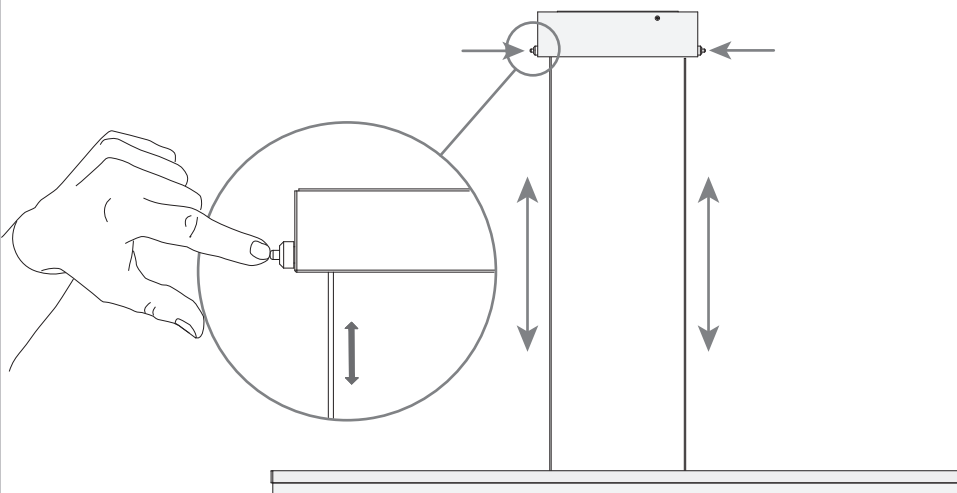
3.1



3.2



4



5

