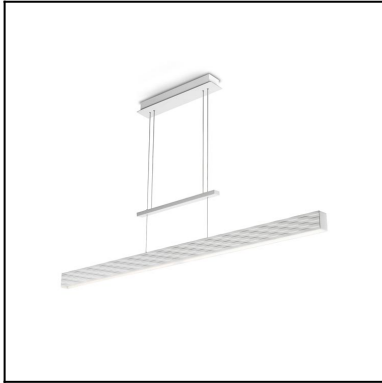
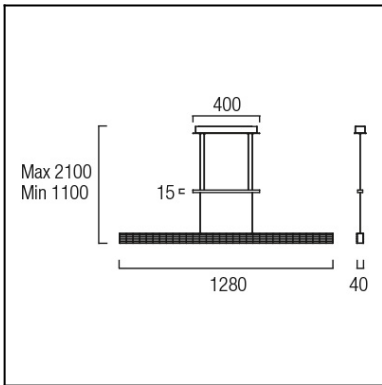


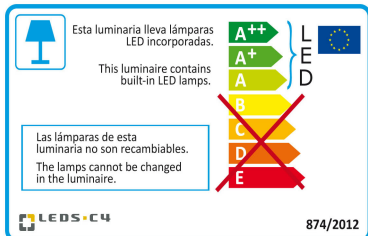
Design by Josep Patsí



The photograph may not match the reference exactly. Please read the product description to identify the finish.



Download photometric file .ldt / .ies



Click on image to download energy label

TECHNICAL CHARACTERISTICS

Type:	Pendant
IP Protection degrees:	IP20
Light source 1:	288 x LED Refond 27,5W (Down) Warm White - 3000K 2640 lm ^(N) CRI 80
Light source 2:	120 x LED Refond 12.5W (Up) Warm White - 3000K 1200 lm ^(N)
Voltage / Frequency:	100-240V/50-60Hz
Warranty (Years):	2
Option to extend the guarantee (Years):	5
Units per box:	1
Net Weight (Kg):	5.225
EAN:	8435381414917



MATERIALS / FINISHES

Structure material:	Polyurethane	Diffuser material:	Methacrylate
Structure finish:	Matt white	Diffuser finish:	Opal

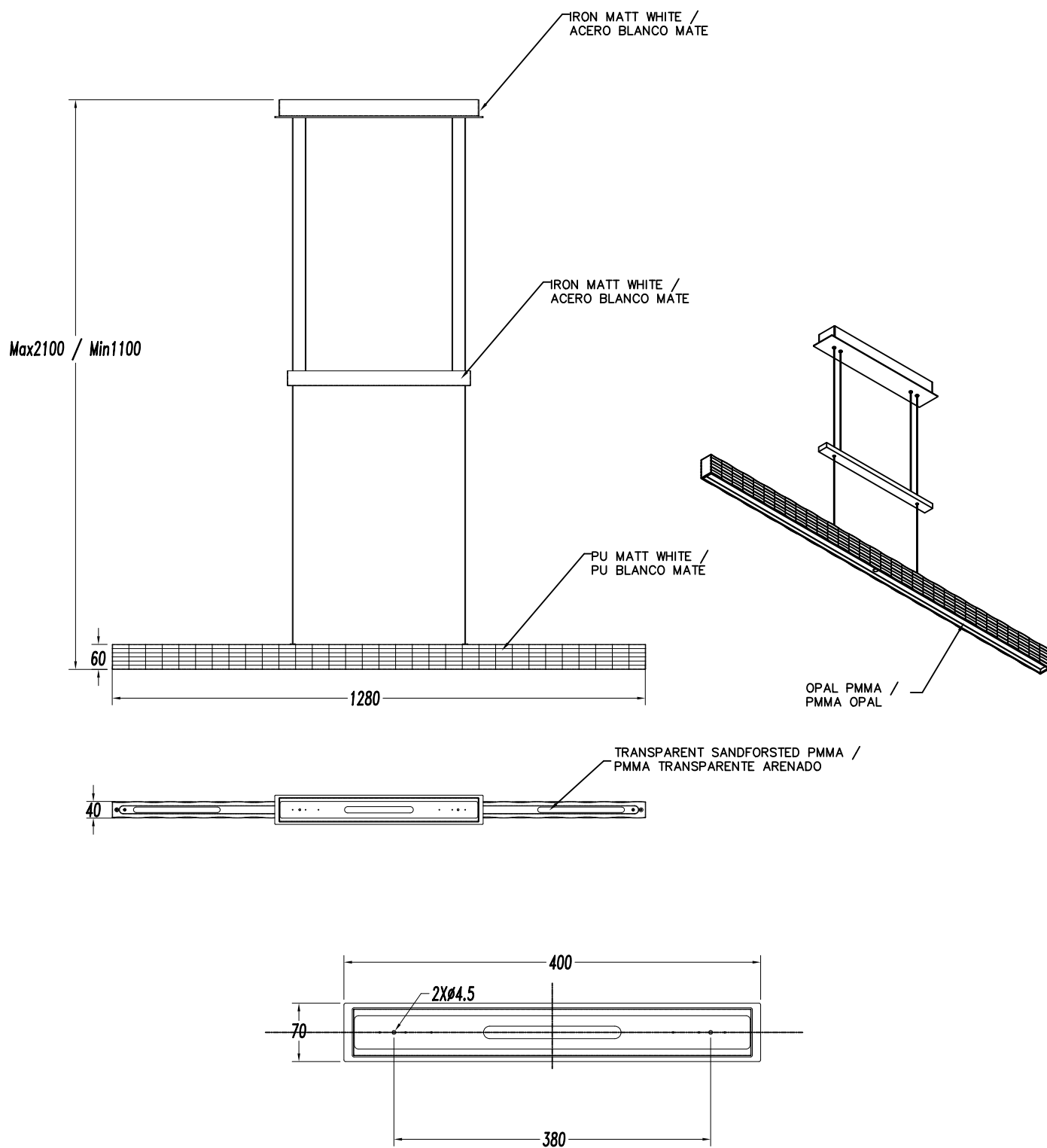
GEAR

Multi-voltage electronic gear included (100-240V / 50-60Hz)
Dimming protocol: Touch dimmer

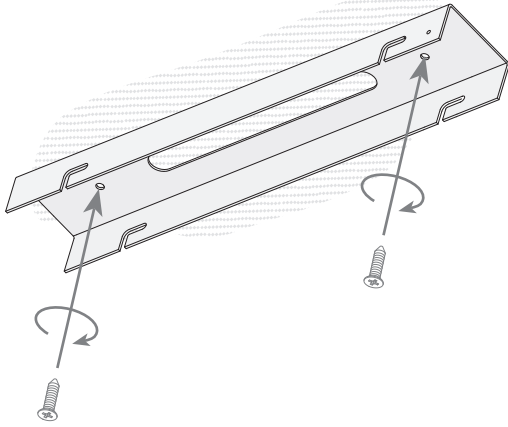
Lm^(N): Nominal flow of light in actual working conditions. Its actual flow will depend on the environmental conditions and the efficiency of the optics and/or diffuser.

LEDS-C4 reserves the right to make the necessary technical changes they deem adequate, in order to improve the features of the product.

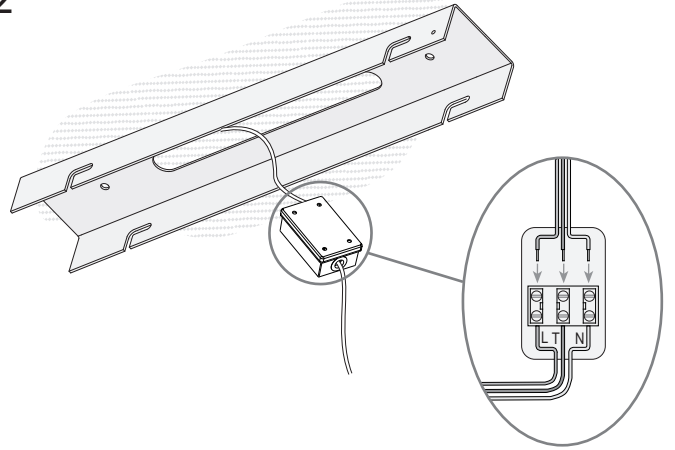
Please consult the sales team to clarify any doubt.



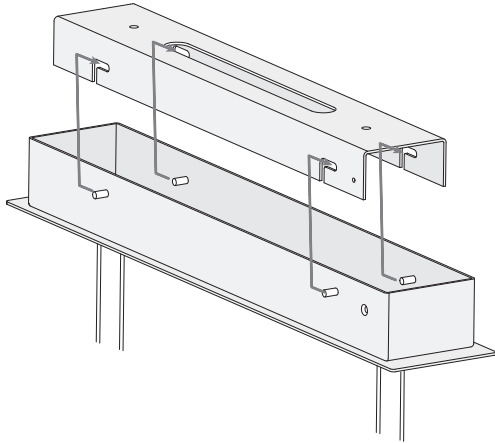
1



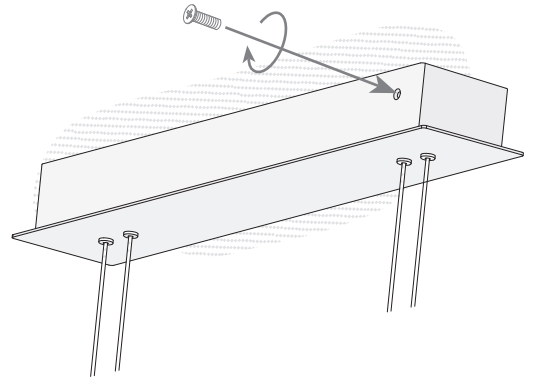
2



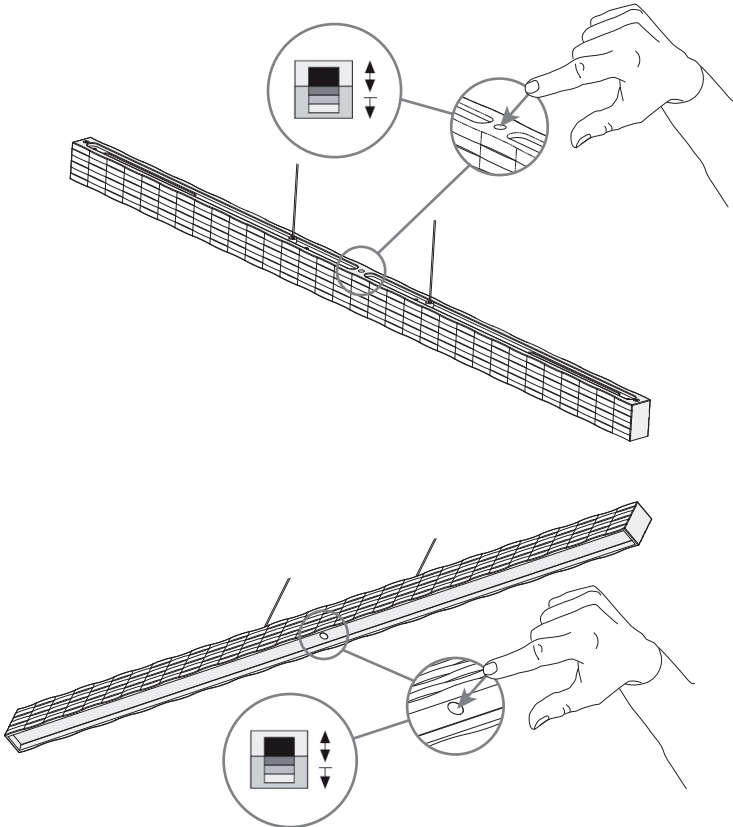
3



4



5



6

