



TECHNICAL CHARACTERISTICS

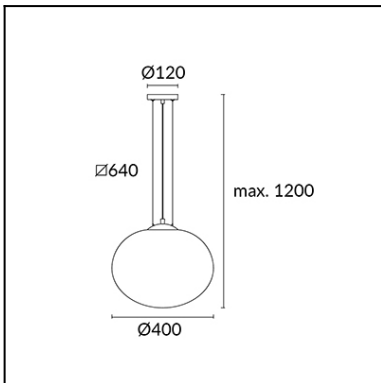
Type:	Pendant
IP Protection degrees:	IP20
Light source 1:	1 x E27 max. 100W Maximum lamp length: 230.00 mm Maximum lamp diameter: 90.00 mm
Voltage / Frequency:	220-240V/50-60Hz
Warranty (Years):	2
Units per box:	1
Net Weight (Kg):	2.02
EAN:	8435111099155



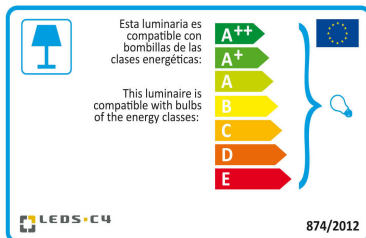
The photograph may not match the reference exactly. Please read the product description to identify the finish.

MATERIALS / FINISHES

Structure material:	Steel	Diffuser material:	Glass
Structure finish:	Satin nickel	Diffuser finish:	Opal



[Download photometric file .ldt / .ies](#)

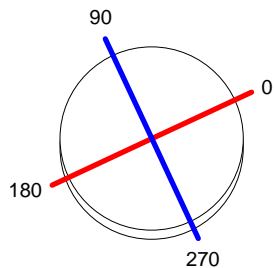


[Click on image to download energy label](#)

Luminaire		Measur.		Lamp	
Code	00-1640-81-F9	Code	00-1640-81-F9	Code	TC-DSE 23W
Name	NIMES	Name	NIMES	Number	1
Line	Eulumdat	Date	17-11-2008	Position	
Efficiency	72.06%	Coordinate system	CG	Total Flux	1500.00 lm
Maximum value	101.77 cd	Position	C=90.00 G=75.00	Double Symmetrical	
Round Luminaire	Diam.	400 mm	Height	400 mm	
Round Luminous Area	Diam.	350 mm	Height	400 mm	
Horizontal Luminous Area	0.096211 m2	Emitting area on Plane 180°	0.140000 m2		
Emitting area on Plane 0°	0.140000 m2	Emitting area on Plane 270°	0.140000 m2		
Emitting area on Plane 90°	0.140000 m2	Glare area at 76°	0.159117 m2		
Symmetry Type	Double Symmetrical	Maximum Gamma Angle	180		
Measurement Distance	0.00	Measurement Flux	1500.00 lm		
Operator	OxyTech	Source voltage			
Temperature	25.00 °C	Source current			
Humidity	60.00 %	Photocell			
Notes					

Luminaire Lamps					
Line	Code	Name	Flux [lm]	Pow. [W]	Q.ty
Eulumdat	TC-DSE 23W	TC-DSE 23W - 23.00 W	1500.00	23.00	1
C.I.E.	22 47 74 55 72	D DIN 5040	C11		
F UTE	0.40 J + 0.32 T	B NBN	BZ 9 / 0.8 / BZ 8 / 1 / BZ 9 / 2.5 / BZ 8		

Diam=400mm



C Halfplanes

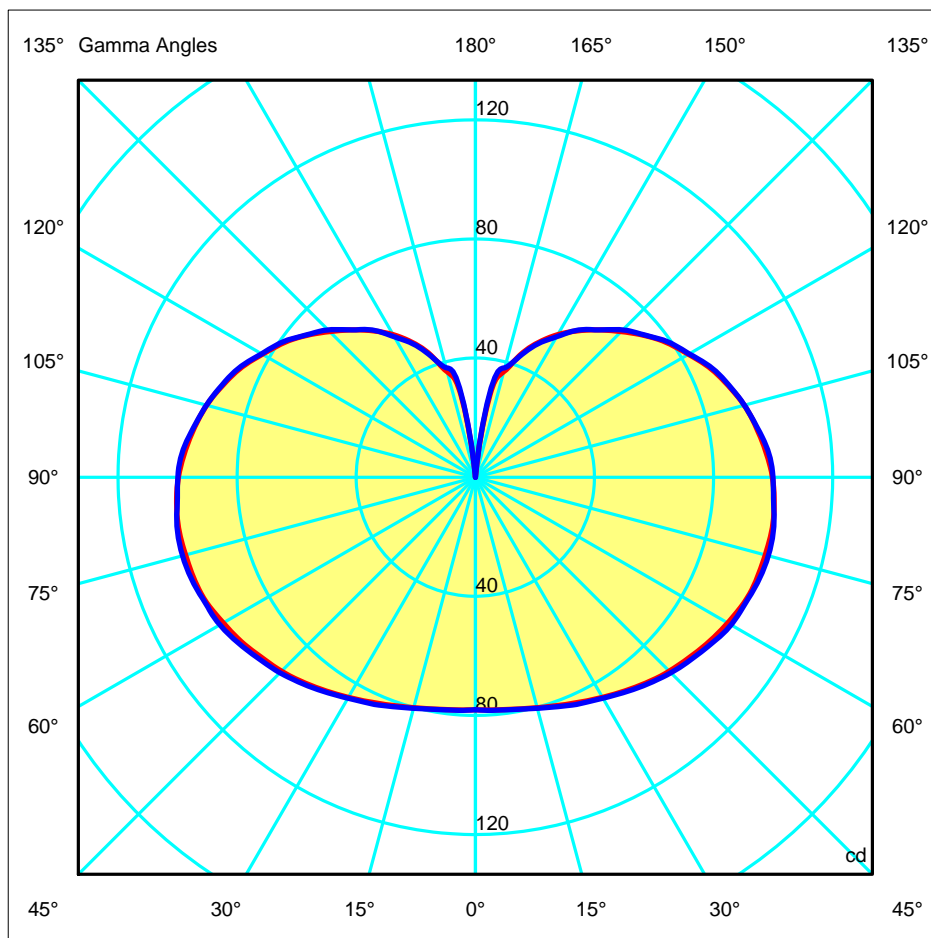
180.0 — 0.0

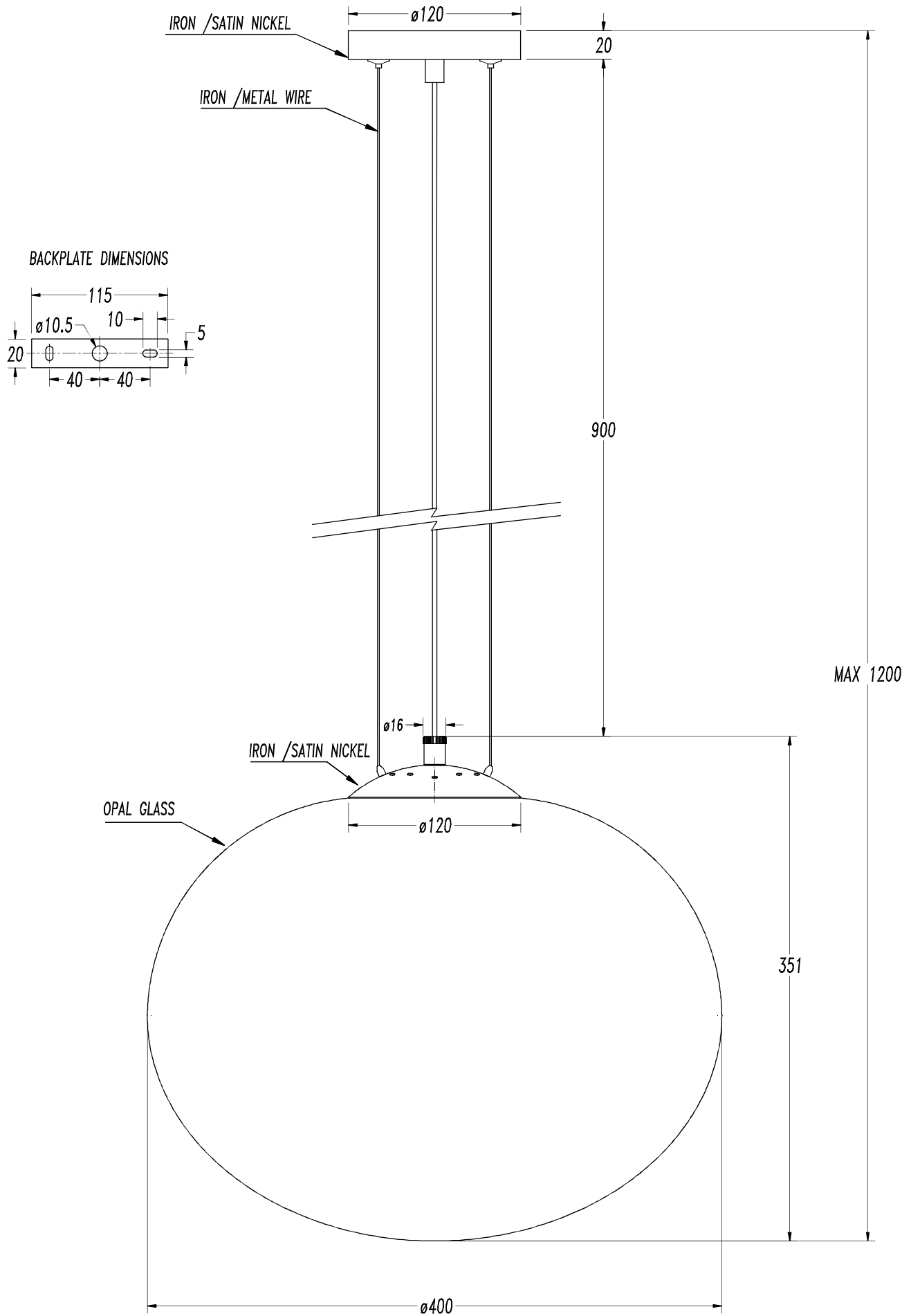
270.0 — 90.0

ULOR 32.27 %

DLOR 39.79 %

RN 44.78 %



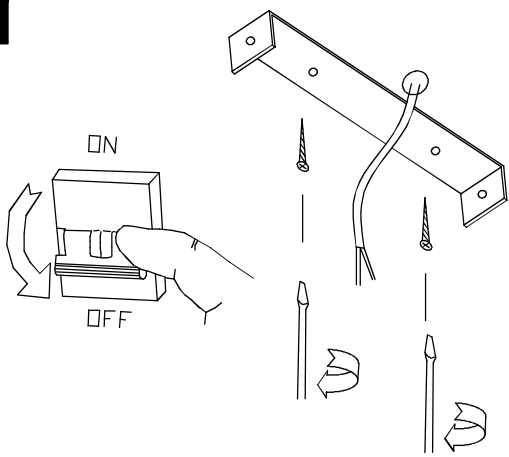




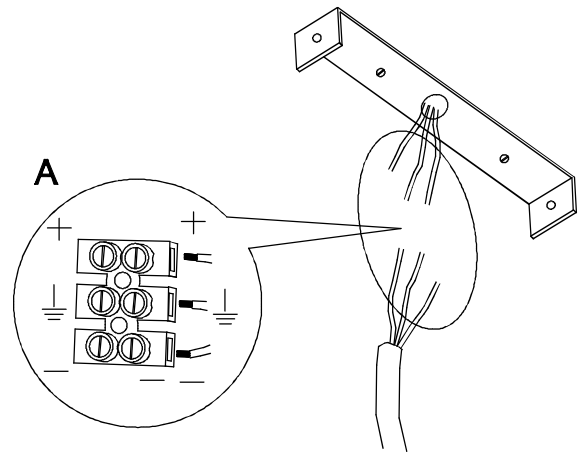
LED S-C4

IMC 00-1640

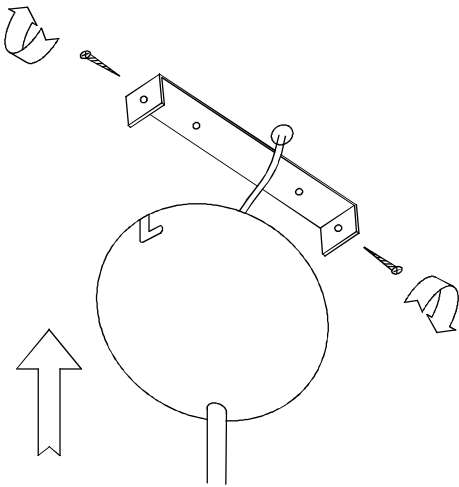
1



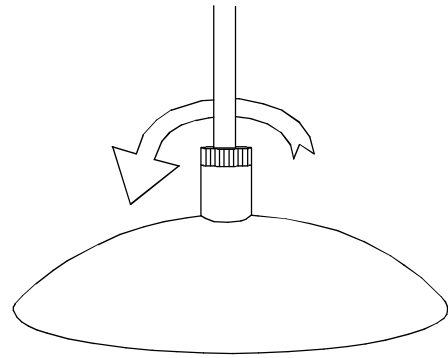
2



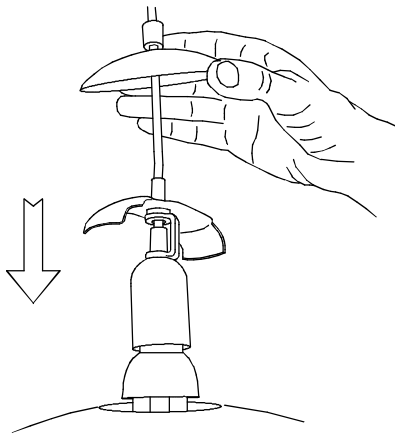
3



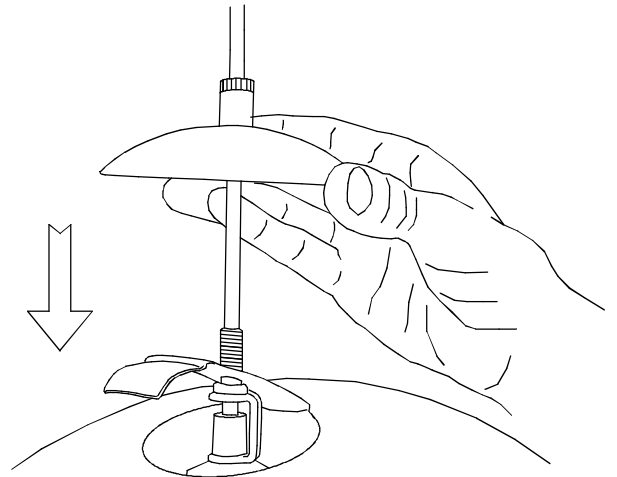
4



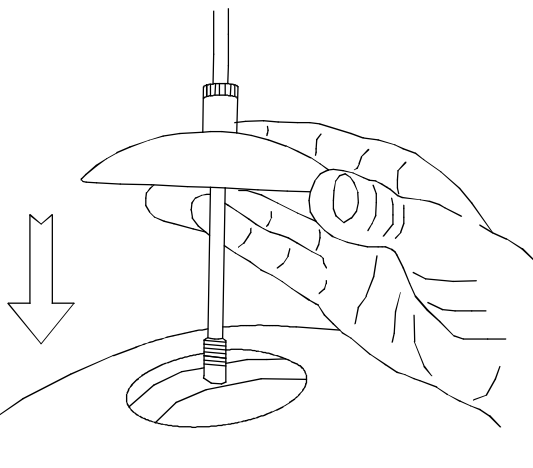
5



6



7



8

