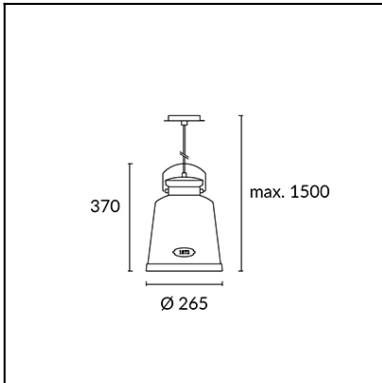
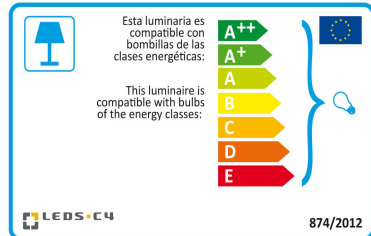




The photograph may not match the reference exactly. Please read the product description to identify the finish.



[Download photometric file .ldt / .ies](#)



[Click on image to download energy label](#)

### TECHNICAL CHARACTERISTICS

Type:	Pendant
IP Protection degrees:	IP20
Light source 1:	1 x E27 max.100W Maximum lamp length: 240.00 mm Maximum lamp diameter: 220.00 mm
Voltage / Frequency:	220-240V/50-60Hz
Warranty (Years):	2
Units per box:	2
Net Weight (Kg):	1.29
EAN:	8435111091104



### MATERIALS / FINISHES

<b>Structure material:</b>	Steel Spin forming aluminium
<b>Structure finish:</b>	Off-white Chrome

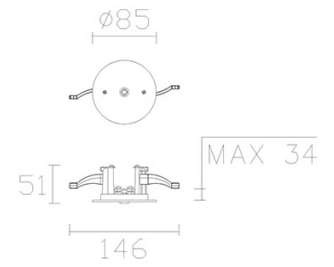
71-0253-14-14

**Structure material:**

Aluminium

**Structure finish:**

White

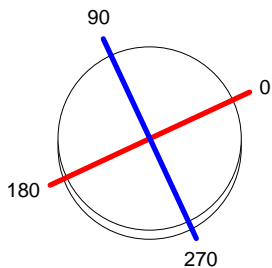


IP20

<b>Luminaire</b>		<b>Measur.</b>		<b>Lamp</b>	
Code	00-0253-21-16	Code	00-0253-21-16	Code	STANDAR GOC 100W O
Name	Colgante 1x100W E27 inc	Name	Colgante 1x100W E27 inc	Number	1
Line	Eulumdat	Date	14-11-2013	Position	
Efficiency	17.13%	Coordinate system	CG	Total Flux	1340.00 lm
Maximum value	212.26 cd	Position	C=0.00 G=0.00	Double Symmetrical	
Round Luminaire	Diam.	265 mm	Height	370 mm	
Round Luminous Area	Diam.	252 mm	Height	0 mm	
Horizontal Luminous Area	0.049876 m2	Emitting area on Plane 180°	0.000000 m2		
Emitting area on Plane 0°	0.000000 m2	Emitting area on Plane 270°	0.000000 m2		
Emitting area on Plane 90°	0.000000 m2	Glare area at 76°	0.012066 m2		
Symmetry Type	Double Symmetrical	Maximum Gamma Angle	90		
Measurement Distance	0.00	Measurement Flux	1340.00 lm		
Operator	Asselum T2	Source voltage			
Temperature	25.00 °C	Source current			
Humidity	60.00 %	Photocell			
Notes					

Luminaire Lamps					
Line	Code	Name	Flux [lm]	Pow. [W]	Q.ty
Eulumdat	STANDAR GOC 100W O	STANDAR GOC 100W O - 100.00 W	1340.00	100.00	1
C.I.E.	85 96 99 100 17	D DIN 5040		A60	
F UTE	0.17 A	B NBN		BZ 1	

Diam=265mm



**C Halfplanes**

180.0 — 0.0 (Red line)

270.0 — 90.0 (Blue line)

ULOR 0.00 %

DLOR 17.13 %

RN 0.00 %

