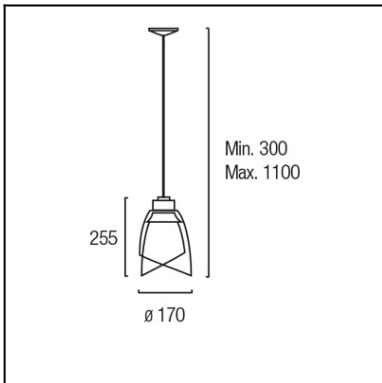


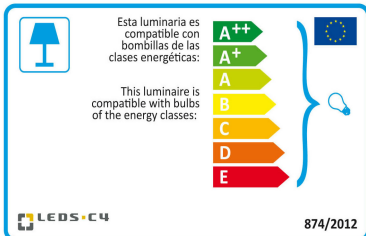
Design by **Benedito Design**



The photograph may not match the reference exactly. Please read the product description to identify the finish.



Download photometric file .ldt / .ies



Click on image to download energy label

TECHNICAL CHARACTERISTICS

Type:	Pendant
IP Protection degrees:	IP20
Light source 1:	1 x E27 MAX.100W Maximum lamp length: 150.00 mm Maximum lamp diameter: 60.00 mm
Total power consumption (W):	100
Voltage / Frequency:	220-240V/50Hz
Warranty (Years):	2
Units per box:	1
Net Weight (Kg):	1.64
EAN:	8435071495004



MATERIALS / FINISHES

Structure material:	Steel	Diffuser material:	Glass
Structure finish:	Grey	Diffuser finish:	Transparent Triplex opal glass

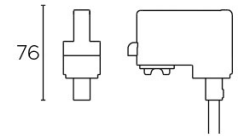
71-2232-14-14



Track connector trimless/trim

Structure material: Polycarbonate

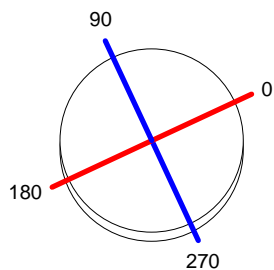
Structure finish: White



Luminaire		Measur.		Lamp	
Code	00-0087-N3-F9	Code	00-0087-N3-F9	Code	64476
Name	Colgante TWINS 100W E27 opal	Name	Colgante TWINS 100W E27 opal	Number	1
Line	Eulumdat	Date	01-04-2010	Position	
Efficiency	69.77%	Coordinate system	CG	Total Flux	1500.00 lm
Maximum value	215.58 cd	Position	C=90.00 G=30.00	Sym. on planes	270-90
Round Luminaire	Diam.	165 mm	Height	250 mm	
Round Luminous Area	Diam.	165 mm	Height	190 mm	
Horizontal Luminous Area	0.021382 m2	Emitting area on Plane 180°	0.031350 m2	Emitting area on Plane 270°	0.031350 m2
Emitting area on Plane 0°	0.031350 m2	Glare area at 76°	0.035592 m2		
Emitting area on Plane 90°	0.031350 m2				
Symmetry Type	Sym. on planes 270-90	Maximum Gamma Angle	180	Measurement Flux	1500.00 lm
Measurement Distance	0.00				
Operator	Asselum	Source voltage			
Temperature	25.00 °C	Source current			
Humidity	60.00 %	Photocell			
Notes					

Luminaire Lamps					
Line	Code	Name	Flux [lm]	Pow. [W]	Q.ty
Eulumdat	64476	64476 - 100.00 W	1500.00	100.00	1
C.I.E.	39 63 82 63 70	D DIN 5040		B21	
F UTE	0.44 H + 0.26 T	B NBN		BZ 6	

Diam=165mm



C Halfplanes

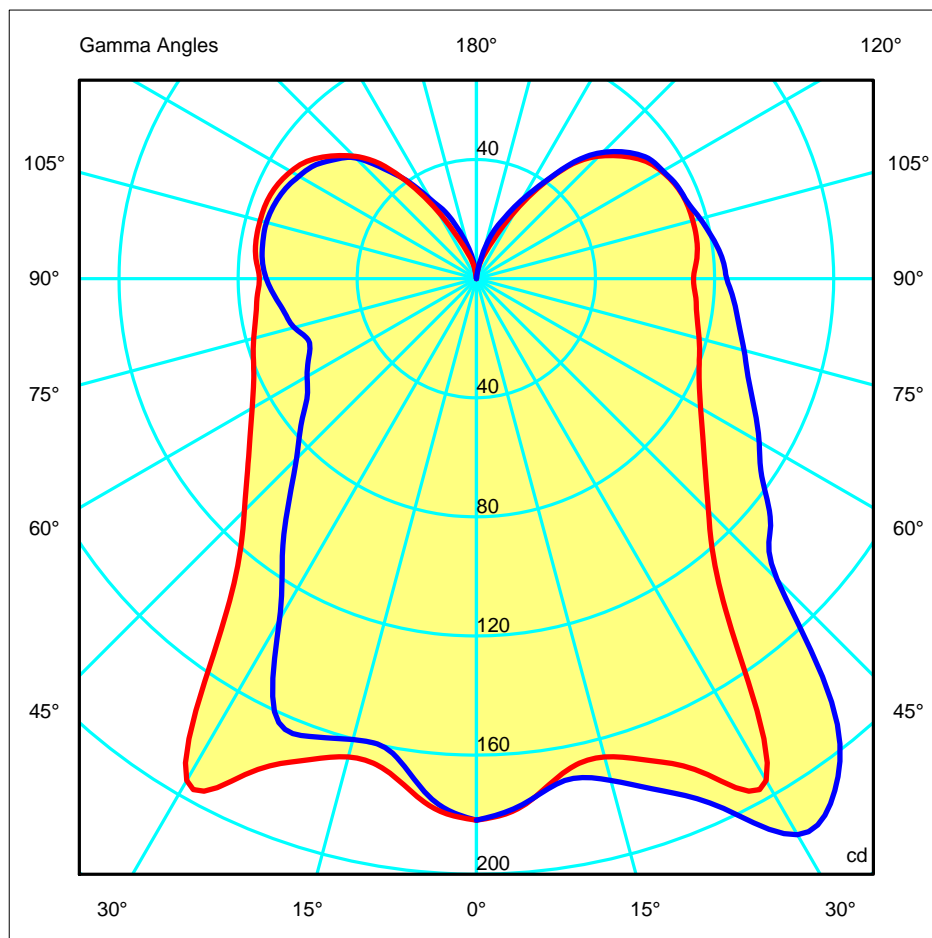
270.0 ———— 0.0

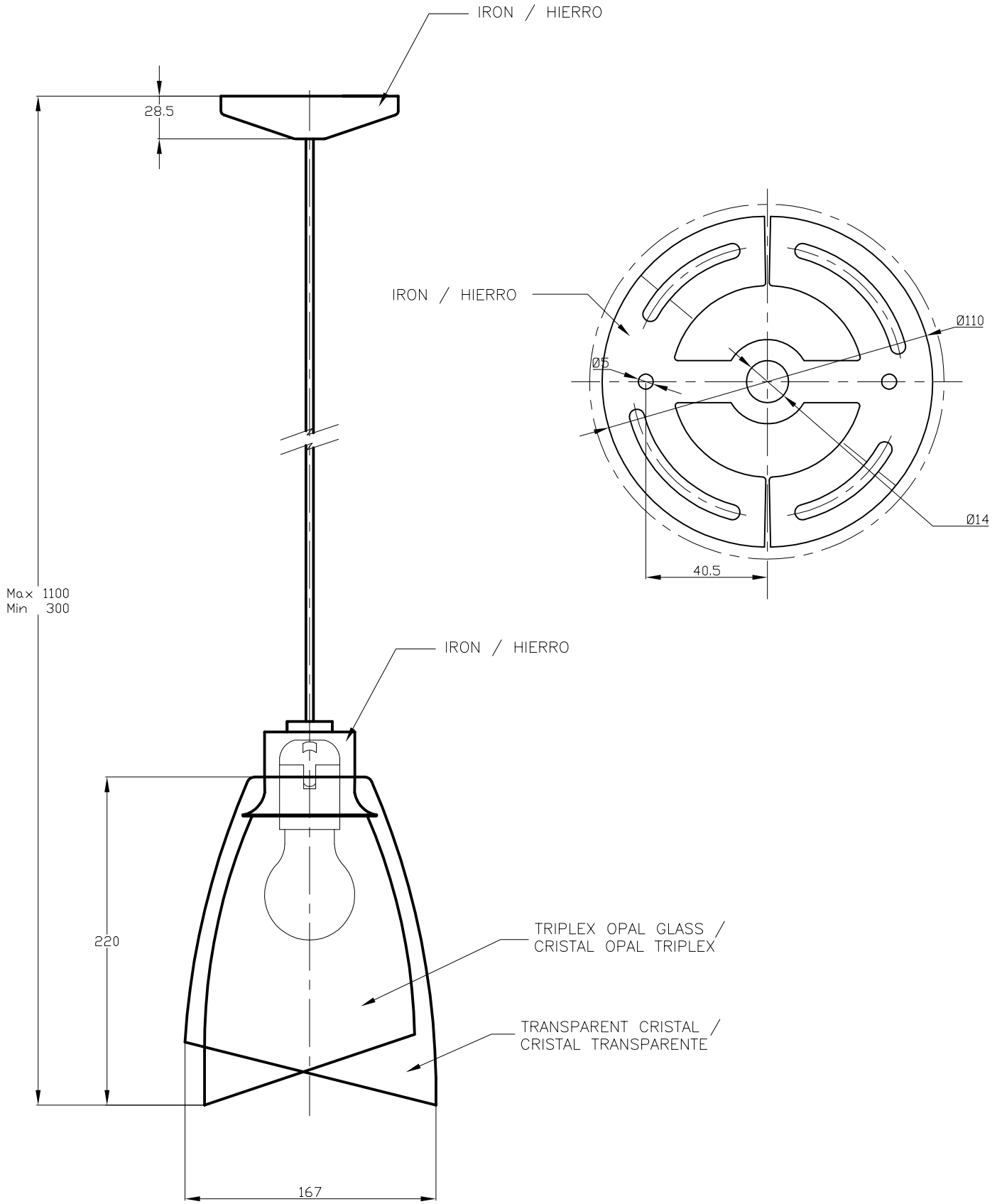
180.0 ———— 90.0

ULOR 25.58 %

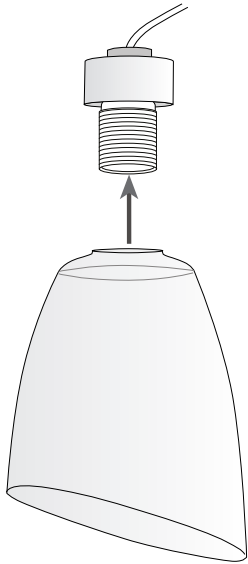
DLOR 44.20 %

RN 36.65 %

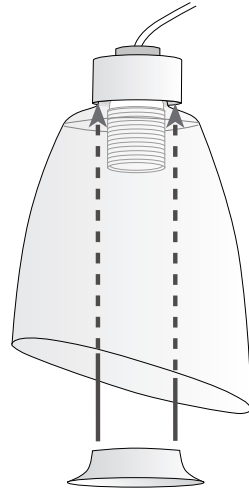




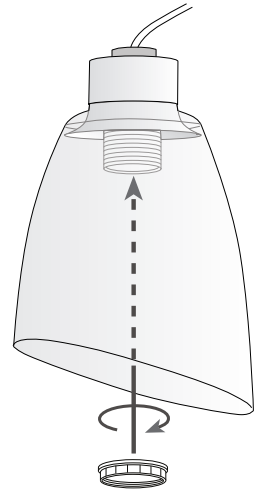
1



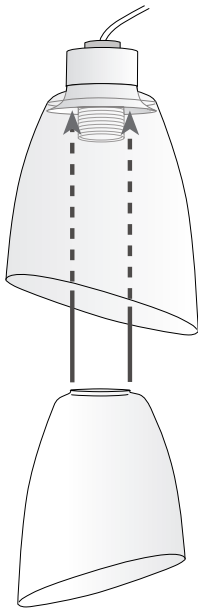
2



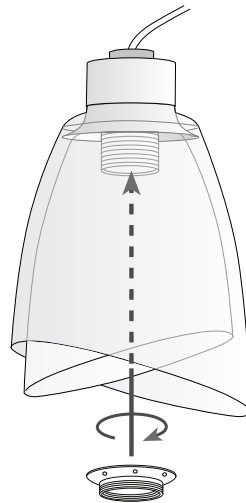
3



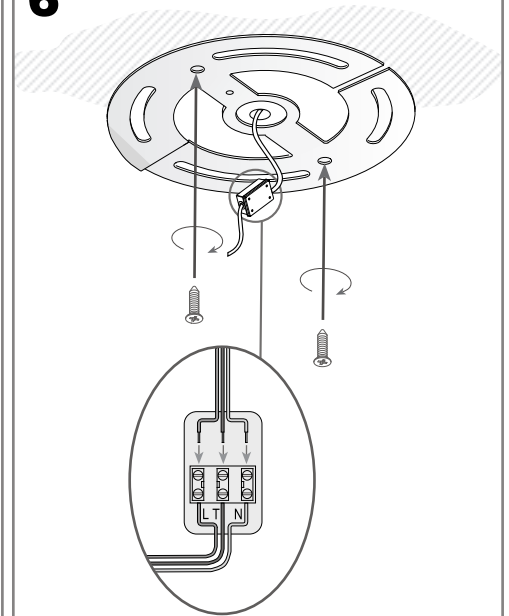
4



5



6



7

